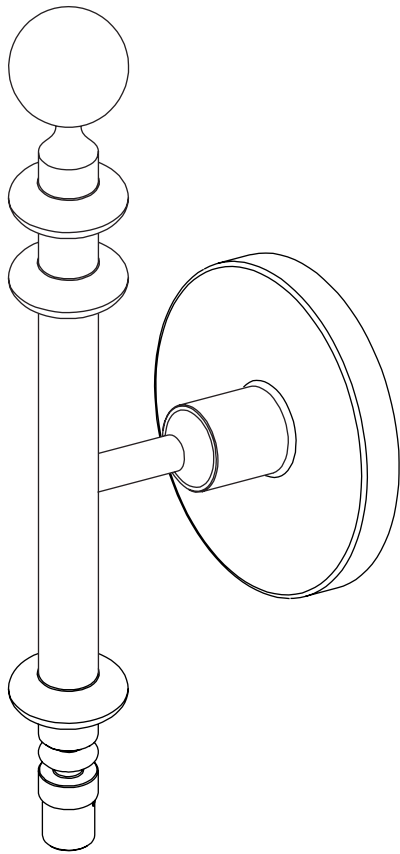


CONTENTS

09MAR2023

Del Playa 1 Arm Sconce Assembly



(x2) 8-32 J box Screw



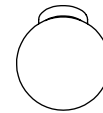
(x5) Wago Connector 2



8-32 Set Screw



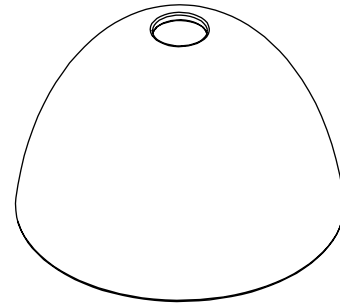
GLSS-256 - 2" Diffuser



Hex Key



Del Playa Shade



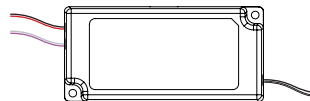
Collar



O-ring



LED driver



SAFETY INFORMATION

Suitable for dry, indoor use only.

Maximum ambient temperature: 25°C

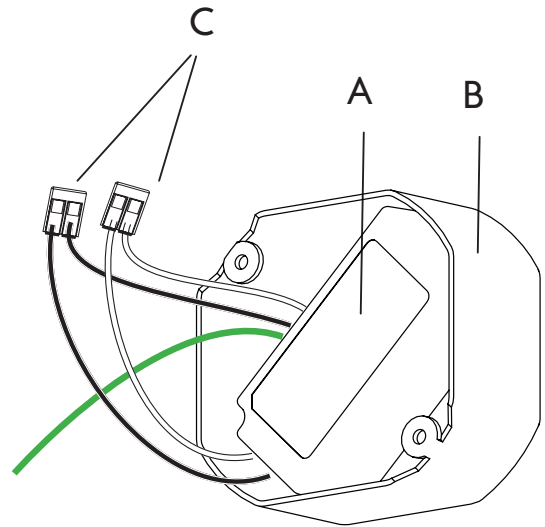
The light source contained in this luminaire shall only be replaced by the manufacturer or his service agent or a similar qualified person.

DEL PLAYA 1 ARM SCONCE | INSTALLATION

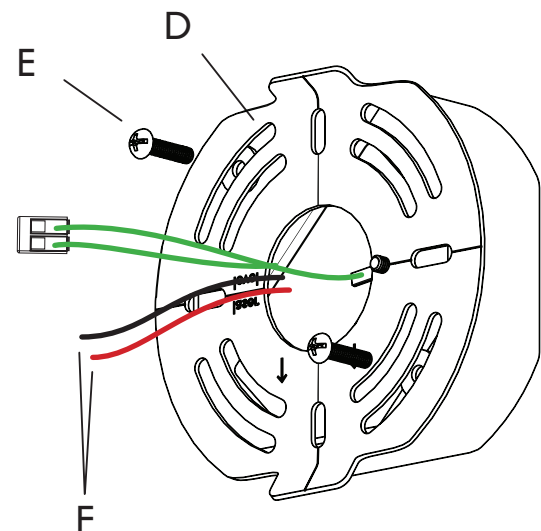
09MAR2023

Note: Please contact a licensed electrician.

1. Install the driver (A) into the junction box (B) and connect the live wire connections (C) to the driver using the wago connectors.



2. Ground the crossbar (D) to the junction box using the wago connector. Mount the crossbar to the junction box using the provided #8-32 screws (E).

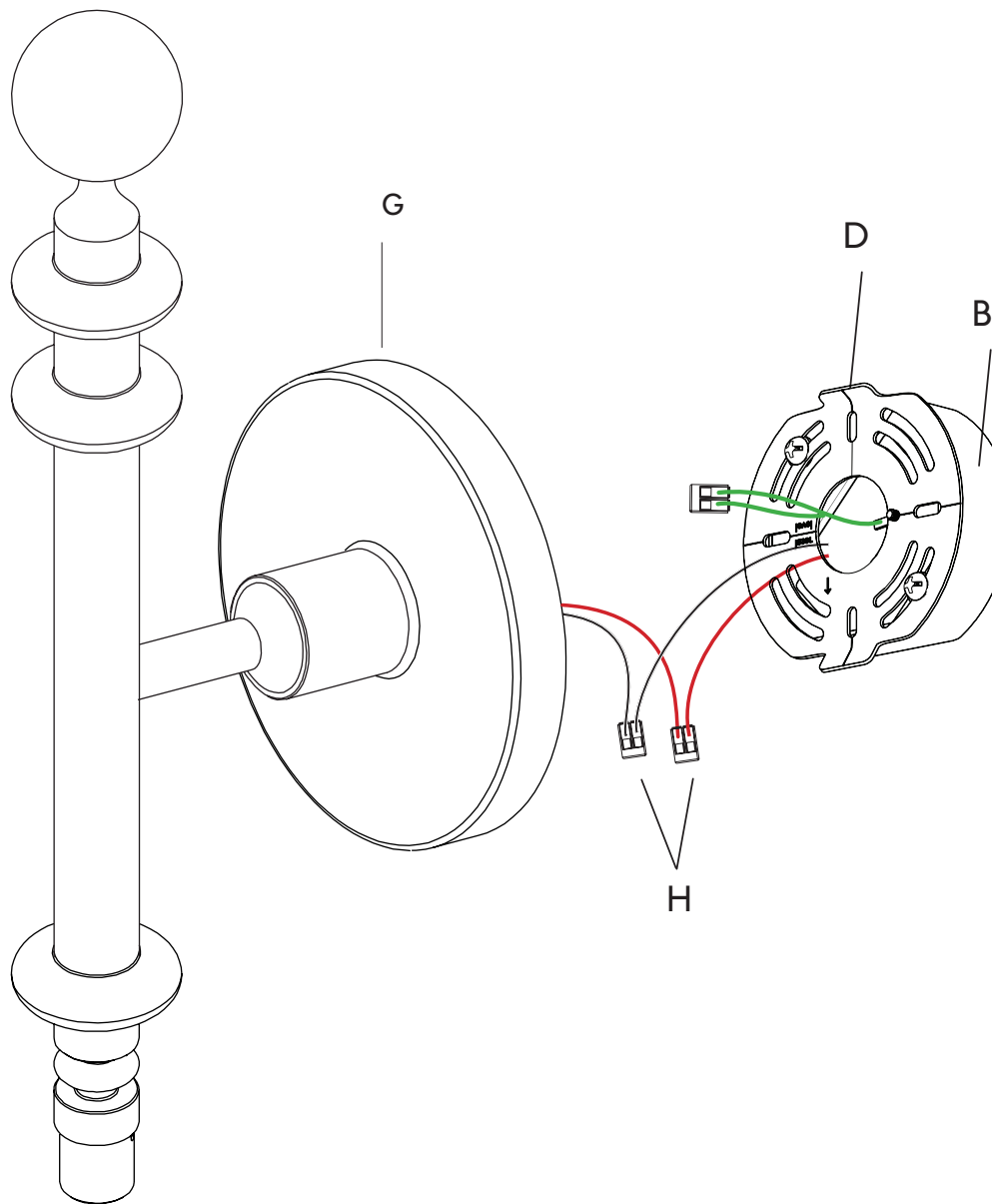


3. Pull the output driver wires (F).

DEL PLAYA 1 ARM SCONCE | INSTALLATION

09MAR2023

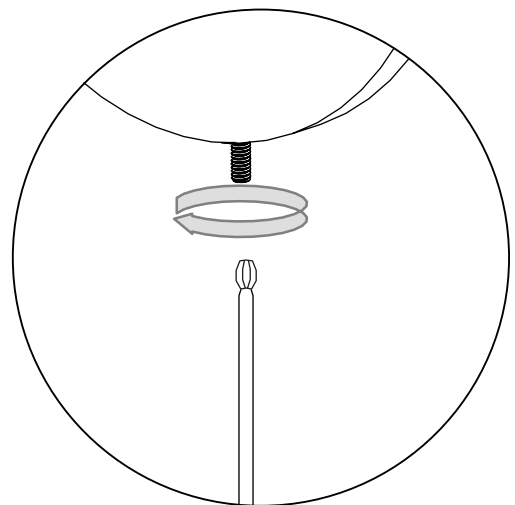
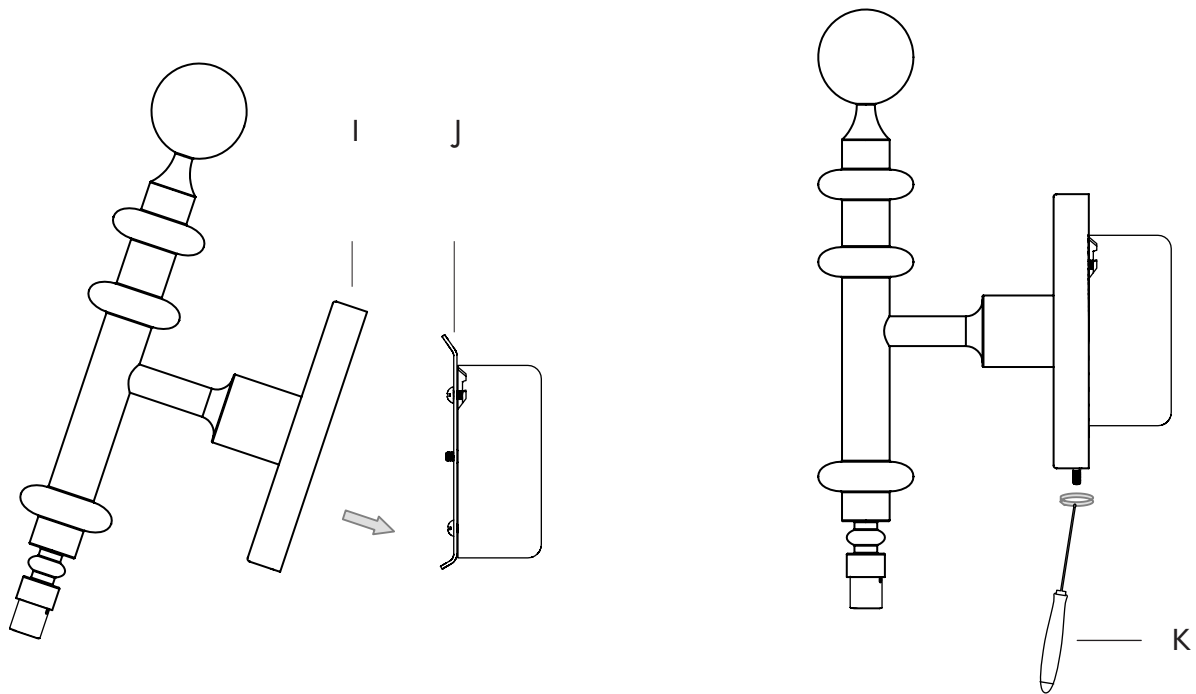
- Carefully hold fixture (G) to crossbar (D) and make secondary wire (H) connections. Push wire connectors back through center hole of crossbar into junction box (B).



DEL PLAYA 1 ARM SCONCE | INSTALLATION

09MAR2023

5. Tuck all the wire connections inside the junction box and hook the fixture backplate (I) onto the french cleat of the crossbar (J). Once the fixture assembly is resting in place, use the provided Hex Key (K) to tight the bottom set screw to the crossbar until the backplate is secured.



DEL PLAYA 1 ARM SCONCE | INSTALLATION

09MAR2023

6. Fit the shade (L) onto the LED cup (M), and secure it with collar (N) and O-ring (O).
Then screw on the LED diffuser (P).

