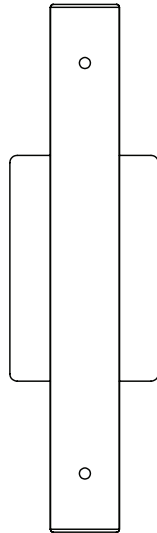
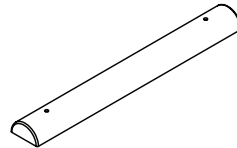


CONTENTS

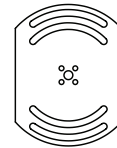
Counterweight Rectangle Sconce



Glass Shade



Custom Crossbar



8-32 Thumb screws (2)



8-32 long screws (2)



8-32 Crossbar Screws (2)



Wire connectors (2)



SAFETY INFORMATION

Only suitable for direct mounting on non-combustible surfaces.

Under no circumstances can Counterweight Fixtures be mounted on normally flammable surfaces.

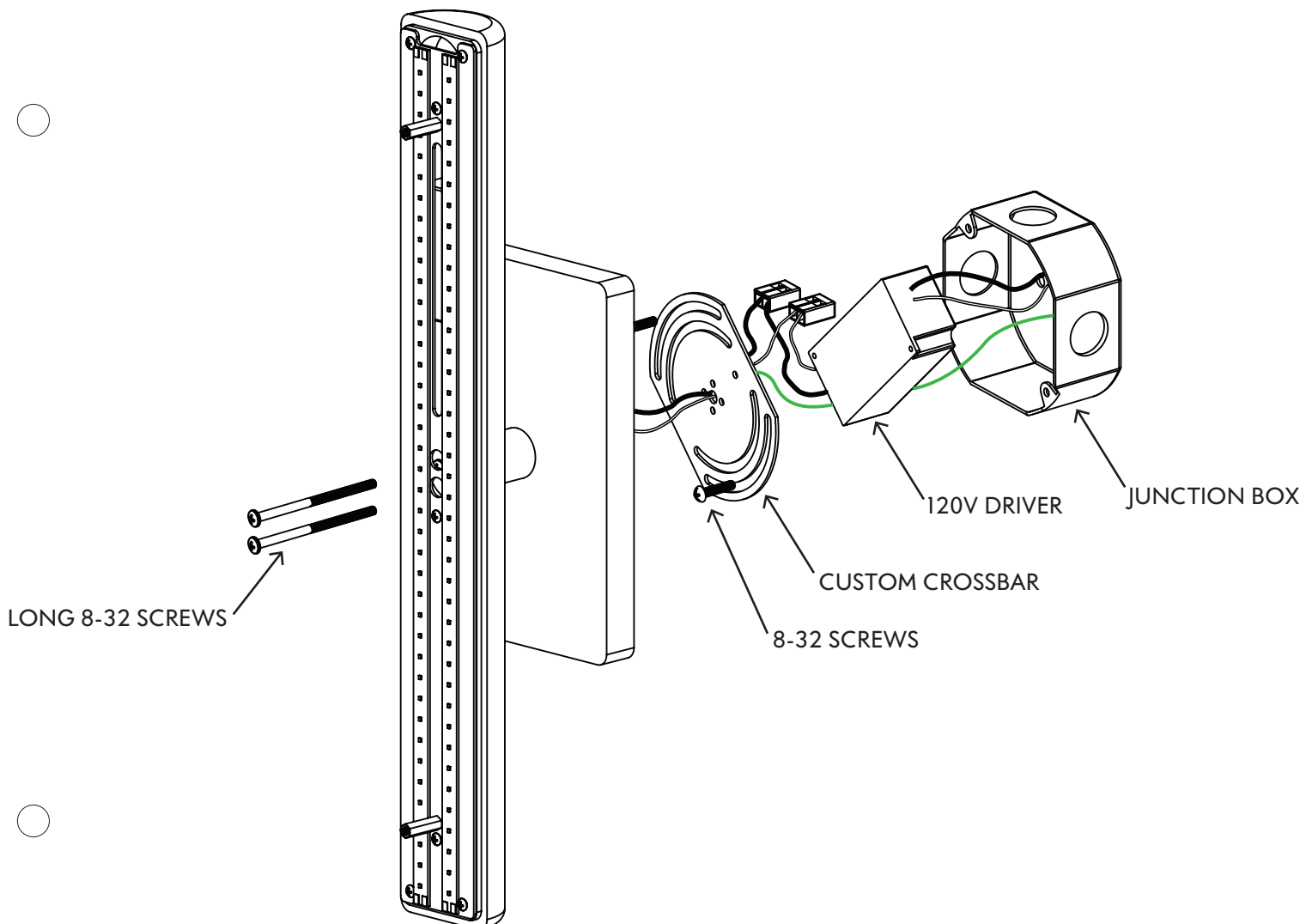
Suitable for dry, indoor use only.

Maximum ambient temperatures: 25° C

COUNTERWEIGHT SCONCE INSTALLATION - 120V

Note: Please contact a licensed electrician.

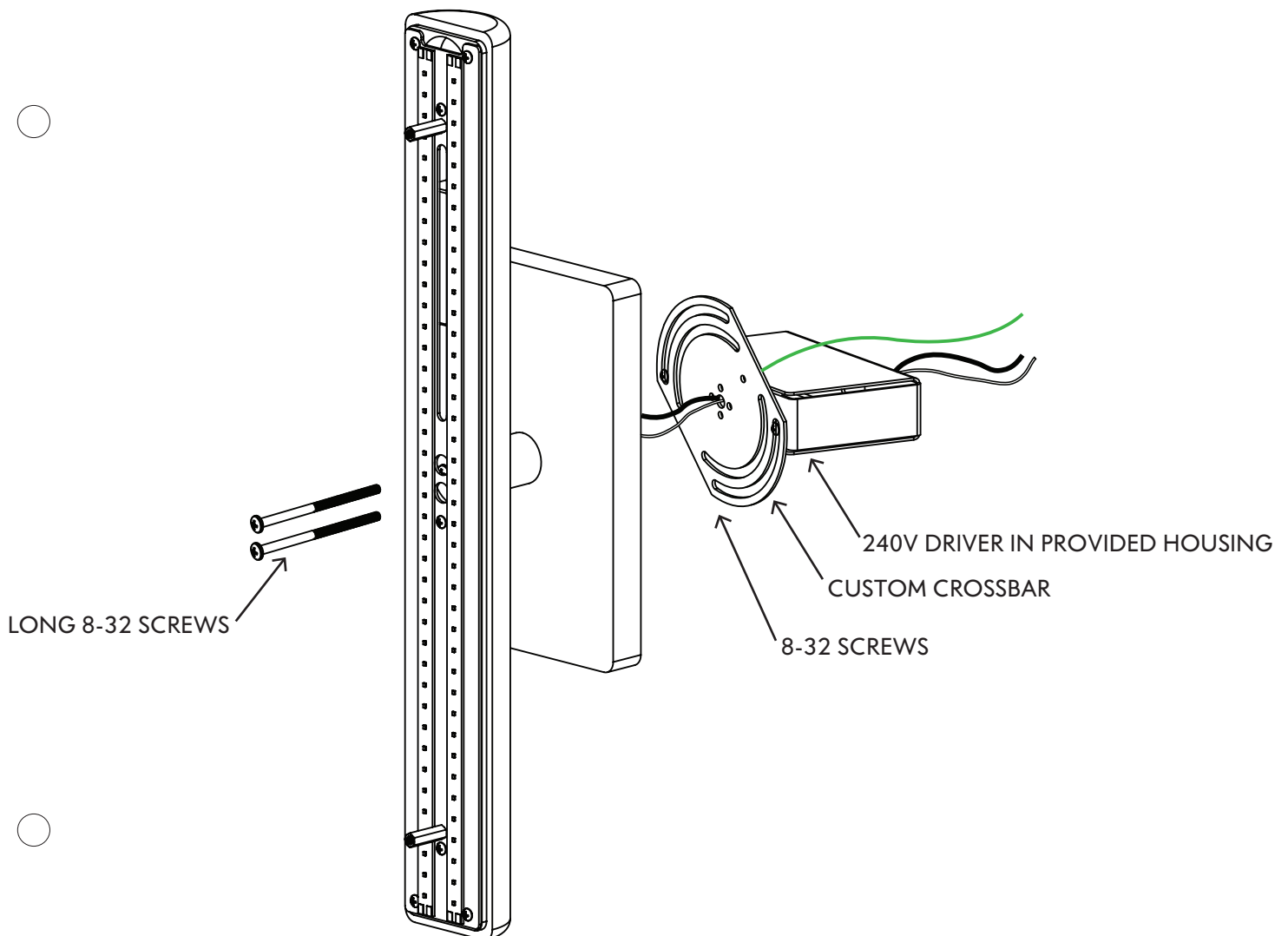
1. Pull the LED leads from the fixture through the custom crossbar.
 2. Connect LED leads to 120V driver with wire connectors. Connect 120V leads and place driver into the junction box. Push the excess cord into the junction box.
 3. Attach the custom crossbar to the junction box with provided 8-32 machine screws. Make sure that the four center holes are aligned vertically and horizontally.
 4. Align the fixture with the holes of the crossbar. Thread the two long 8-32 screws through the center of the fixture into the two threaded holes of the custom crossbar.
 5. Make adjustments to the crossbar when necessary to make the fixture level.
-



COUNTERWEIGHT SCONCE INSTALLATION - 240V

Note: Please contact a licensed electrician.

1. Connect driver leads to 240V wires in wall. Attach grounding wire to crossbar
 2. Attach the custom crossbar to the wall. Make sure that the four center holes are aligned vertically and horizontally.
 3. Align the fixture with the holes of the crossbar. Thread the two long 8-32 screws through the center of the fixture into the two threaded holes of the custom crossbar.
 4. Make adjustments to the crossbar when necessary to make the fixture level.
-



COUNTERWEIGHT SCONCE INSTALLATION

Glass Assembly

1. Position the holes of the glass over the holes of the standoffs on the fixture.
2. Screw the 8/32 thumb screws until the glass is firmly pressed against the wood. Do not overtighten or the glass may break.

