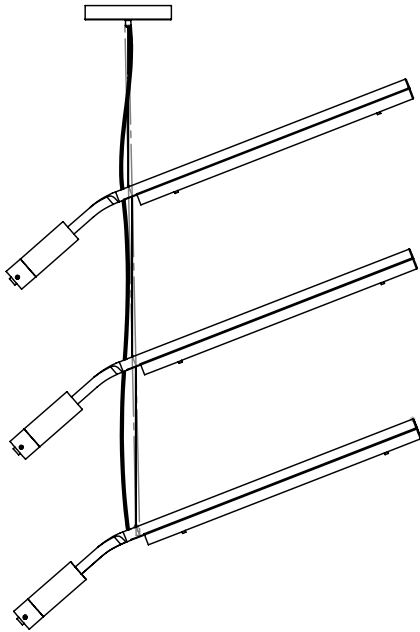
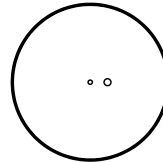


CONTENTS

Counterweight Mobile



Canopy Assembly



Crossbar 1/4-20



Custom Glass



1/4-20x2" Threaded Stud



Cable Hanger



8-32 Screws (2)



8/32 x 1/2" Thumb Screws (6)



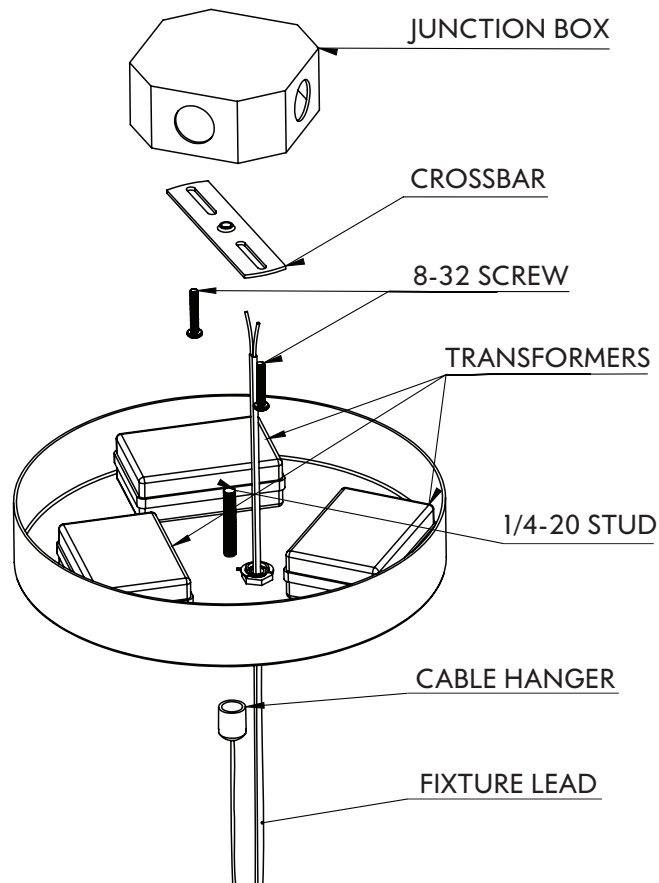
SAFETY INFORMATION

Only suitable for direct mounting on non-combustible surfaces.
 Under no circumstances can Counterweight Fixtures be mounted on normally flammable surfaces.
 Suitable for dry, indoor use only.
 Maximum ambient temperatures: 25° C

CEILING INSTALLATION

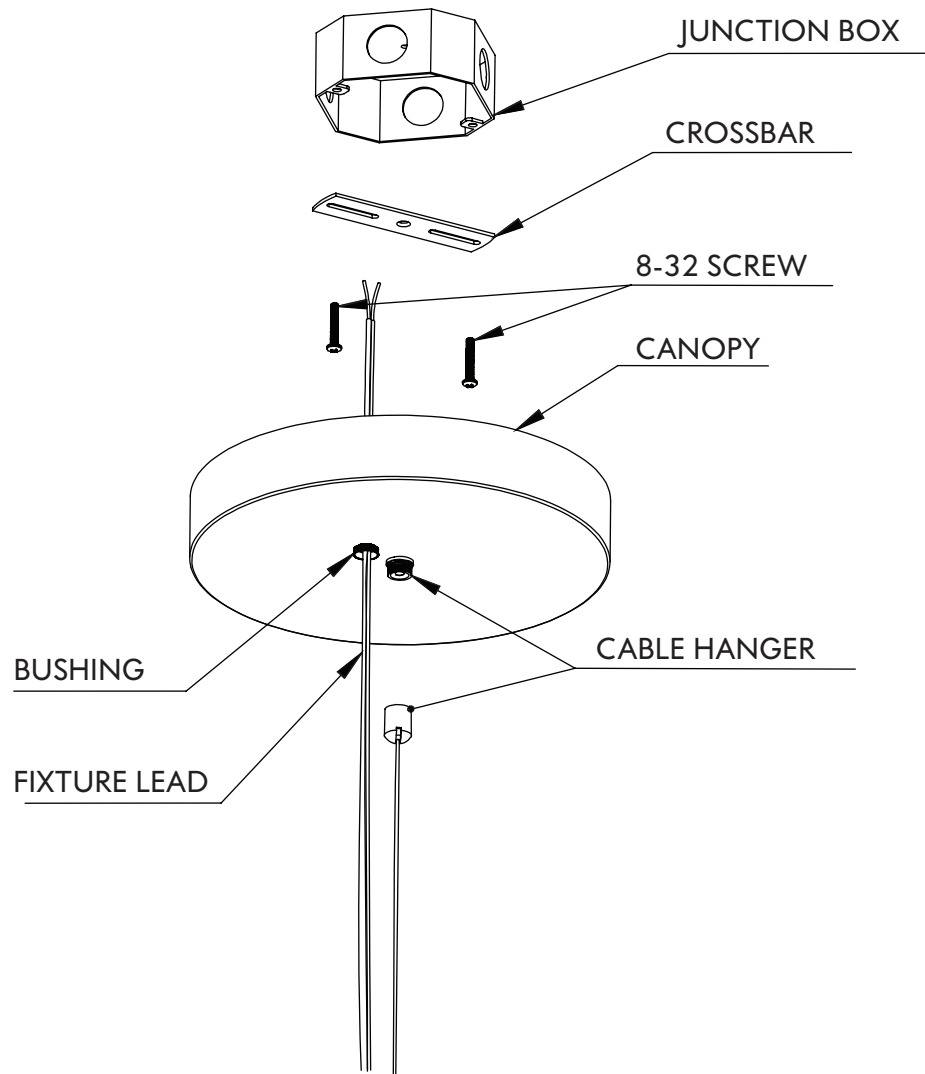
Note: Please contact a licensed electrician.

1. Mount the crossbar to the junction box in the ceiling using two 8-32 screws.
2. Thread the 1/4 -20 stud into the crossbar, allowing enough space for the canopy to fit over the stud and the cable hanger to thread on.
3. Now that the stud is in place, you can make all electrical connections, while the canopy is slightly lowered from the ceiling.
4. Pull the lead wire from the fixture through the bushing in the canopy and connect the yellow-striped lead (negative) to the black lead (negative) of the transformer assembly. Connect the non-striped lead (positive) with the red lead (positive) of the transformer assembly. Crimp the lead wire inside of the canopy with the C-shaped strain relief so the wire doesn't come out of the canopy.
5. Attach the white and black leads from the transformer assemblies to the corresponding white and black leads in the ceiling.



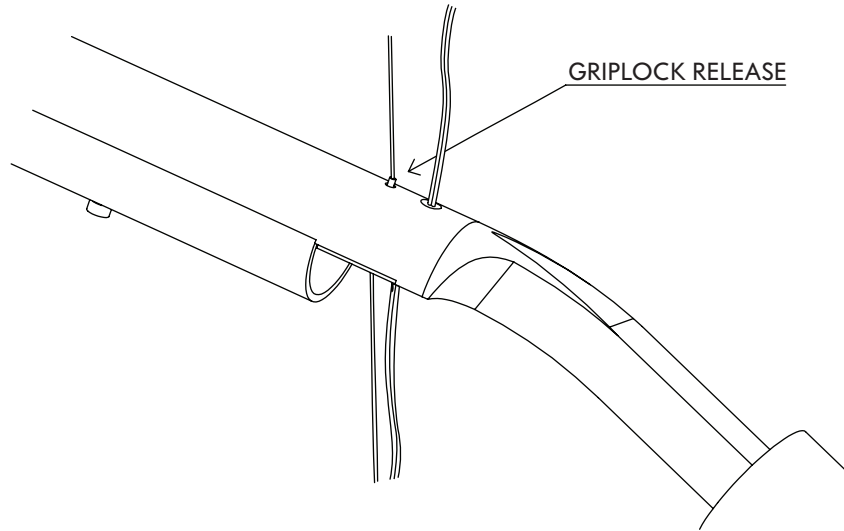
CEILING INSTALLATION *continued*

6. Once all connections are made, tuck the remaining wires within the junction box and canopy.
7. Lift the canopy, allowing the 1/4-20 stud to pass through the center hole. Thread the cable hanger on and tighten until the canopy is flush with the ceiling.

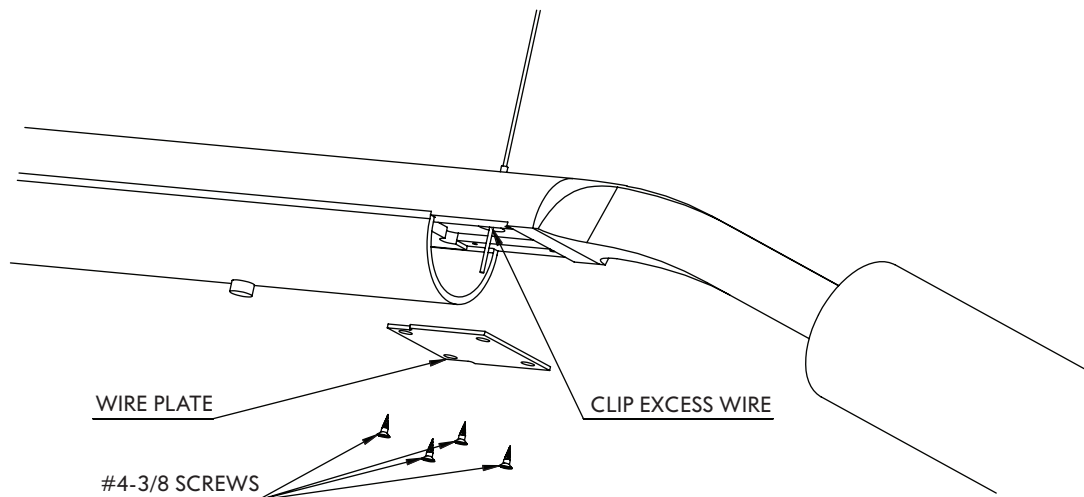


CEILING INSTALLATION *height adjustment*

1. Adjust the three fixtures on the cable to set them at correct heights. The hanging cable gets pushed through griplocks that are in each arm of the fixture.
2. The griplocks are adjustable by pressing in the post in the center. Support the arm while you make these adjustments.



1. The wire plate of the bottom arm must be removed in order to adjust the height of the fixture.
2. Remove the #4-3/8 screws that hold the wire plate on and put them to the side with the wire plate.
2. Set the arms at their appropriate heights and allow the wire to come out of the bottom fixture. Once set in place, clip the excess hanging wire as close to the griplock as possible, and replace the wire plate.



CEILING INSTALLATION *glass assembly*

1. Align the holes of the glass with the holes of the standoffs on the fixture.
2. Screw the thumb screws through the holes into the standoffs.
3. Tighten until the glass is snug with the wood of the fixture.

