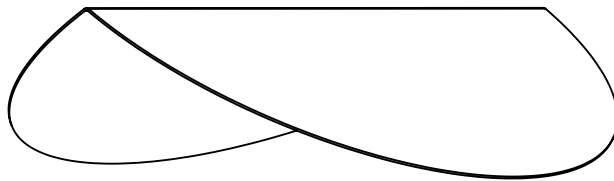


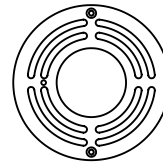
## CONTENTS

---

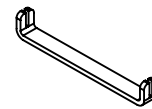
Bounce - Wall Mount



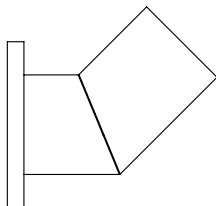
Crossbar



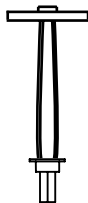
Chain Hook



Lamp



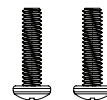
Toggle Anchor



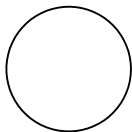
1/4-20 inch  
set screw



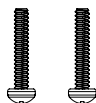
8-32 Finished  
Screws



Ceiling Mount



J-box screws 8/32



Length of Hanging Chain (20ft)



## SAFETY INFORMATION

---

Only suitable for direct mounting on non-combustible surfaces.

Under no circumstances can Halo Chandeliers be mounted on normally flammable surfaces.

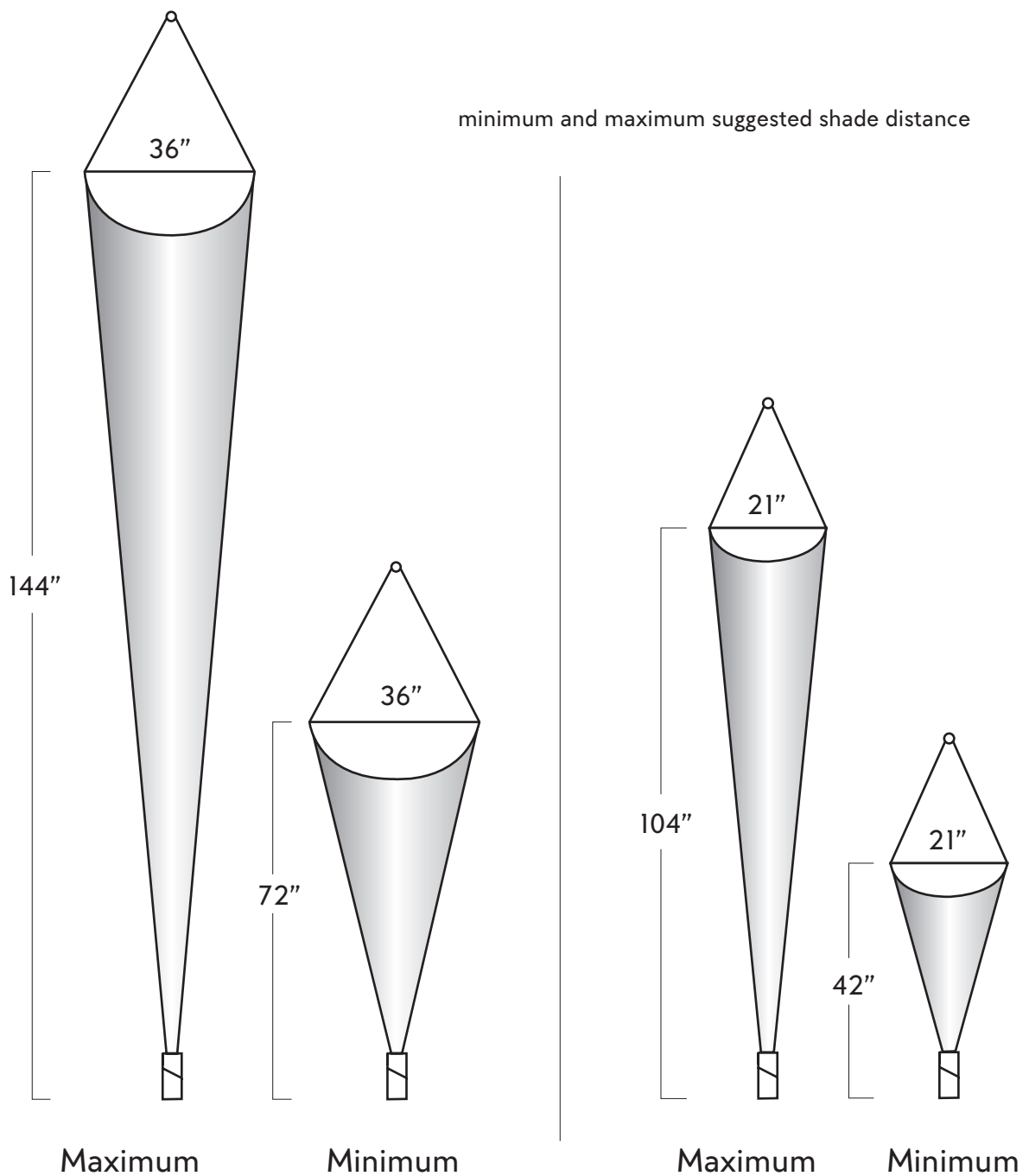
Suitable for dry, indoor use only.

Maximum ambient temperatures: 25° C

## BOUNCE WALL | INSTALLATION

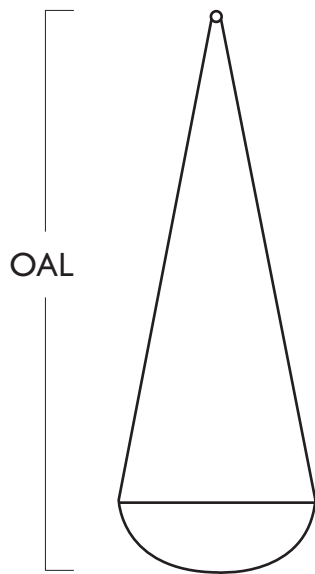
*Note: Please contact a licensed electrician.*

1. The Bounce Floor fixture features an adjustable focal length lens on the lamp, this allows a range of distances from the fixture to the reflective shade. The diagram below shows the minimum and maximum distance from the lamp, to the shade.



## BOUNCE WALL | CEILING INSTALLTION

1. The chain provided to hang the shade must be cut to length. Once you determine the drop (OAL) of the shade you can consult this table to see what length to cut the chain to achieve the desired drop.



Bounce chain cut list 36" large shade

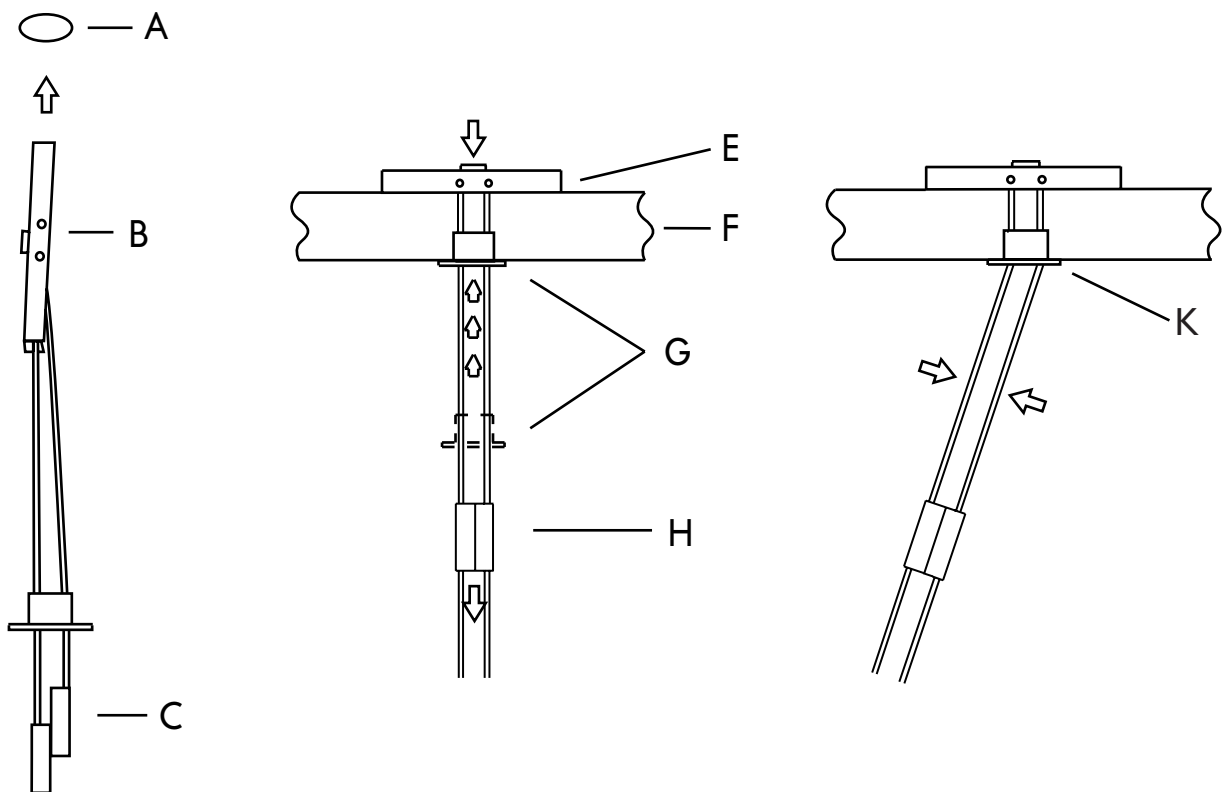
drop	cut length
24	83
28	88
32	94
36	101
40	108
44	115
48	122
52	129
56	137
60	144
64	152
68	159
72	167
76	175
80	182
84	190
88	198
92	206
96	214
100	222
104	229
108	237
112	245
116	253
120	261
124	269
128	277

Bounce chain cut list 21" small shade

drop	cut length
24	63
28	70
32	77
36	85
40	92
44	100
48	108
52	115
56	123
60	131
64	139
68	147
72	155
76	163
80	170
84	178
88	186
92	194
96	202
100	210
104	218
108	226
112	234
116	242
120	250
124	258
128	266

## BOUNCE WALL | CEILING INSTALLATION

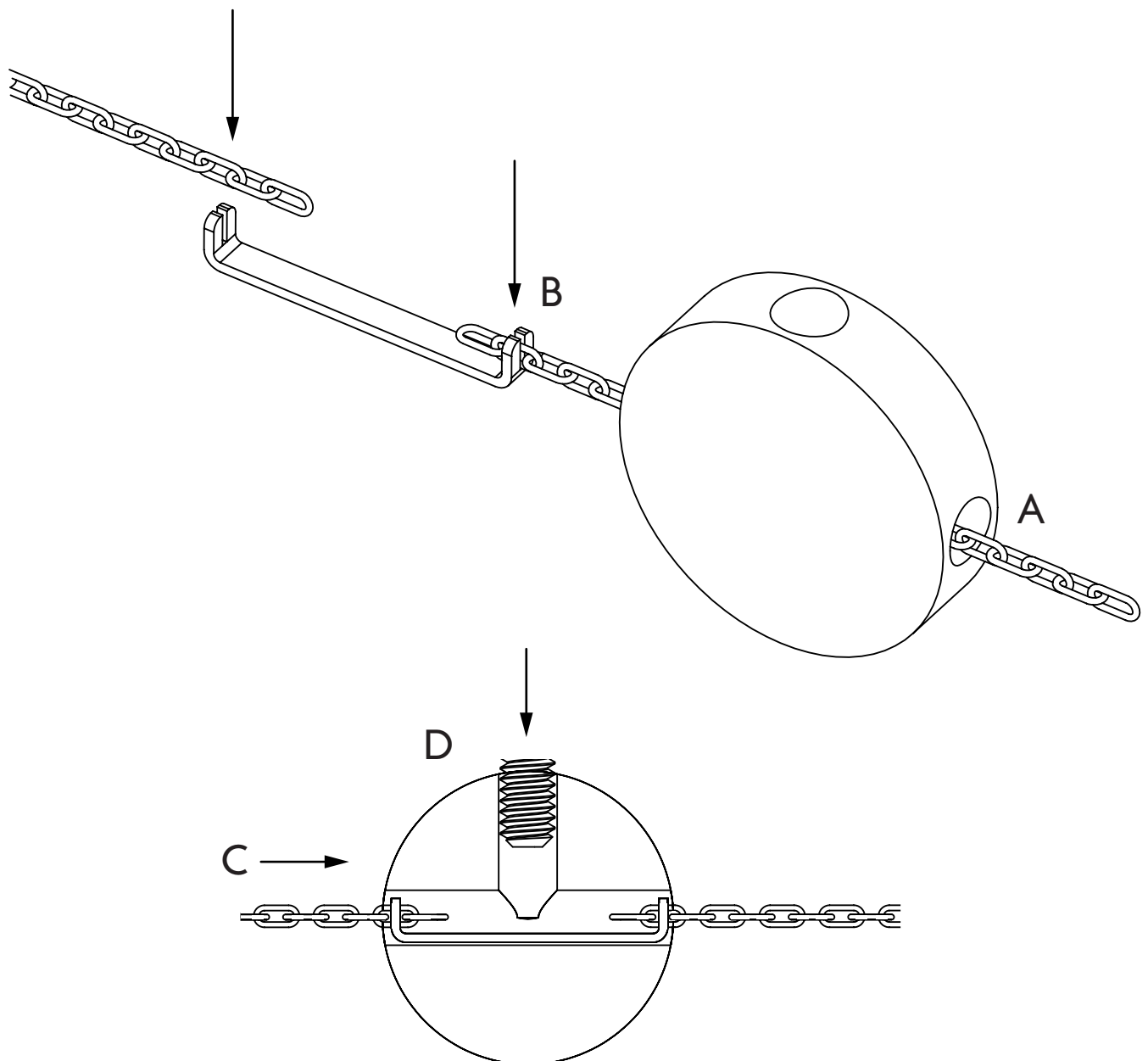
1. First install an anchor to accept the 1/4 - 20 hanging bolt on the ceiling mount. We have included a toggle anchor for drywall, if your ceiling is not drywall please use the appropriate 1/4 - 20 threaded anchor for your ceiling material
2. To install the toggle anchor, first drill a 1/2" hole to pass the metal part of the anchor (B) up into the ceiling (A)
3. Pass metal anchor (B) through hole (A) and slide the ends of the zip ties (C) until the metal anchor pivots horizontally (E) seating itself onto the ceiling (F)
4. Push up on the anchor lock (G) while applying downward pressure to the zip ties at point (H) be careful not to break off the zip ties while pushing the anchor lock upward toward the ceiling
5. Once the anchor lock (K) is tightly seated into the ceiling, move the plastic zip ties back and forth until they snap off at the level of the ceiling.



## BOUNCE WALL | CEILING INSTALLATION

---

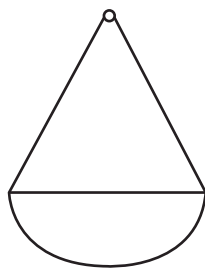
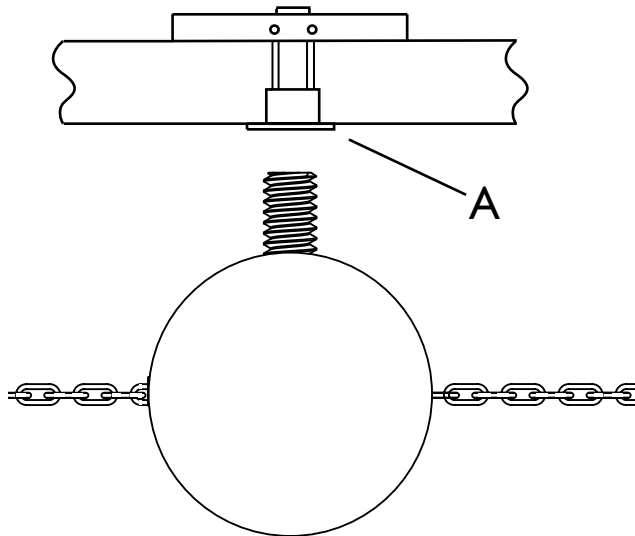
6. After chain is cut to desired length, thread through ceiling mount as shown (A).
7. Place ends of chain onto the chain connector, place the uprights in such a way as to capture a link horizontally toward the inside of the chain connector (B).
8. Slide chain connector into the ceiling mount (C) secure chain connector by tightening nylon set screw (D) into ceiling mount.



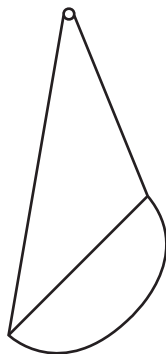
## BOUNCE WALL | CEILING INSTALLATION

9. Attach the hanging disc to the ceiling by threading the hanging disc into the previously installed anchor (A)

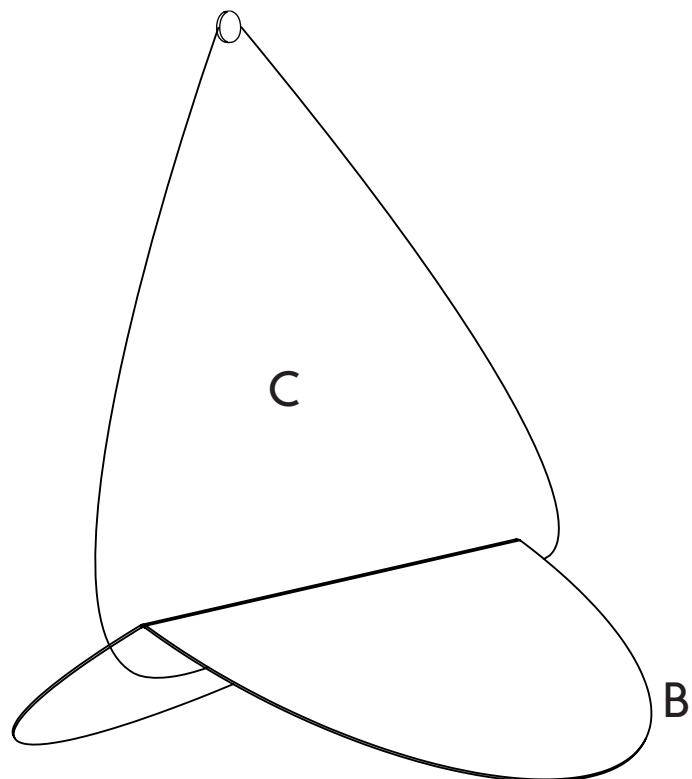
10. Place shade (B) inside of chain loop (C) and the shade assembly is completed, the angle of the shade is adjustable up to 45 degrees from horizontal.



0 degrees



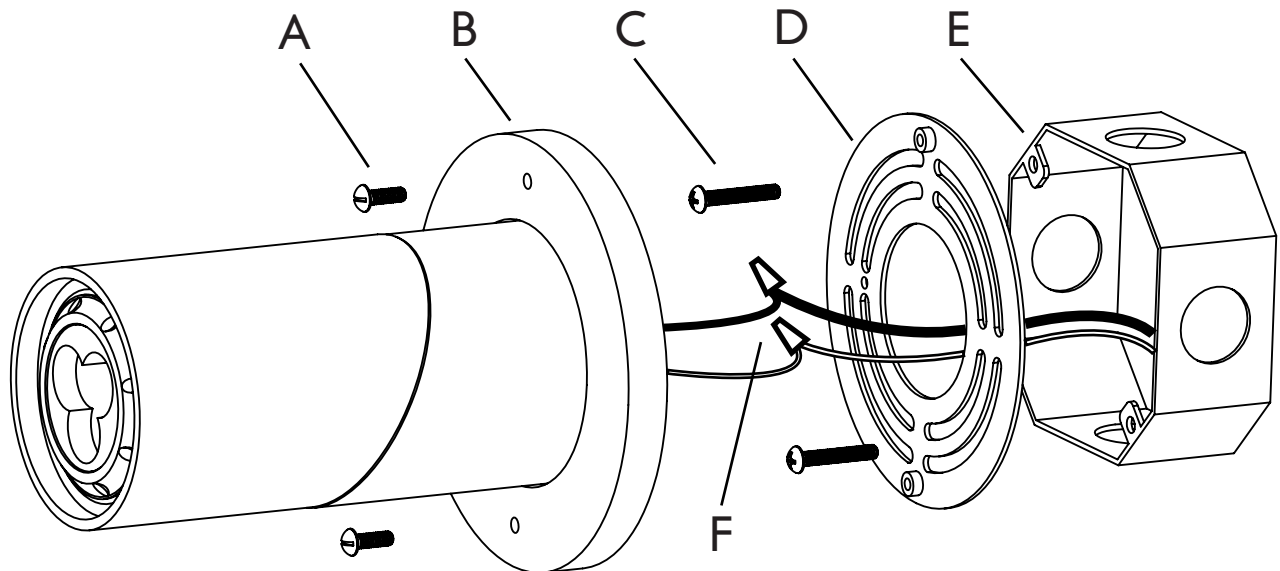
45 degrees



## BOUNCE WALL | LAMP INSTALLATION

---

1. Attach crossbar (D) to Junction Box (E) using supplied long 8/32 screws (C)
2. Attach wall power to fixture using wire nuts as shown (F) tuck wire nuts into Junction Box (E)
3. Attach fixture collar (B) to crossbar (D) using supplied short screws (A)



## BOUNCE WALL | LAMP

---

4. The beam width is adjustable via a ring at the front of the unit (A). Adjust this ring to focus the light on the shade.

5. The angle of the lamp is also adjustable by pivoting the front section on the angled surface (B). This allows many possible installation configurations.

