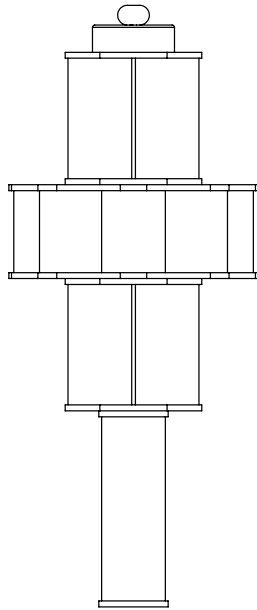
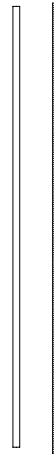


CONTENTS

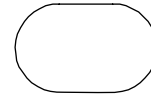
Bauer C2



Stem and 1/4 IPS
Threaded Rod



Bauer Canopy Nut



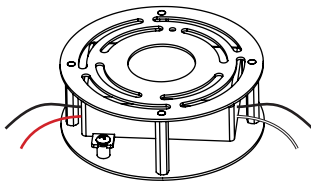
Hangstraight



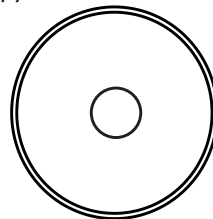
8/32 J-Box Screws



Crossbar/Driver Assembly



Canopy



Wago Connector (7)



SAFETY INFORMATION

Only suitable for direct mounting on non-combustible surfaces.
Under no circumstances can Bouer Chandeliers be mounted on normally flammable surfaces.
Suitable for dry, indoor use only.
Maximum ambient temperatures: 25° C

BAUER CHANDELIER | CEILING INSTALLATION

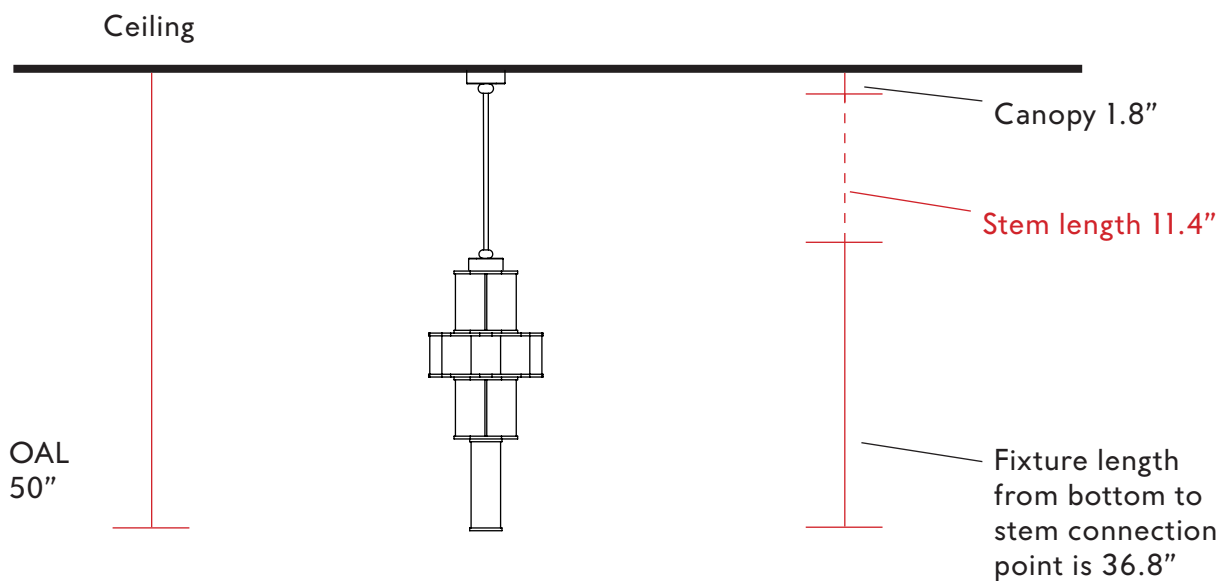
Stem and cover tube length adjustment

Note: Please contact a licensed electrician.

Example fixture only:

To measure length of stem, first determine overall length (OAL), subtract 1.8" for the canopy with hang-straight height and subtract the fixture height from the OAL. Fixture height is measured from bottom of the fixture to stem connection point. The resulting measurement is the final stem length.

Ex. The fixture below has an OAL of 50" and a fixture height of 36.8".
 $50'' \text{ OAL} - 1.8'' \text{ canopy} - 36.8'' \text{ fixture height} = 11.4'' \text{ stem}$



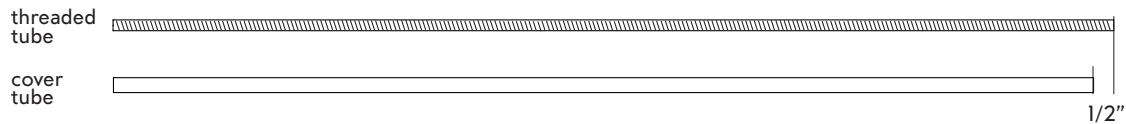
BAUER CHANDELIER | CEILING INSTALLATION

Stem and cover tube length adjustment

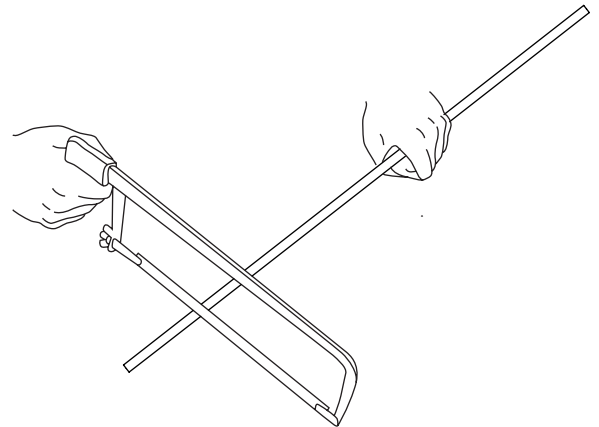
Note: Please contact a licensed electrician.

Example fixture only:

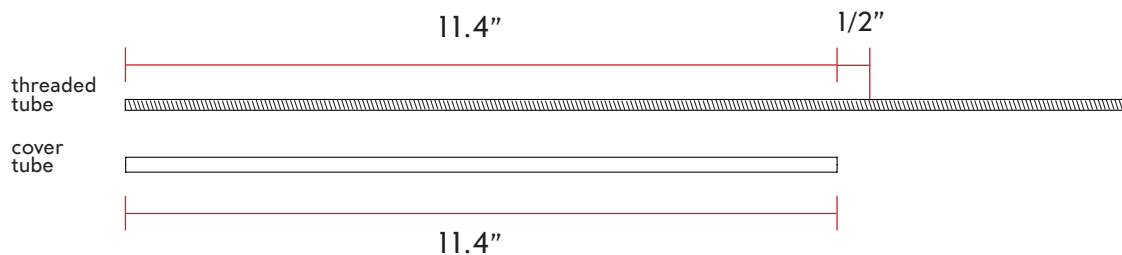
1. To customize the length of the provided stem, cut cover tube to desired length. Then cut the inner threaded tube so that it remains 1/2" longer than the cover tube.



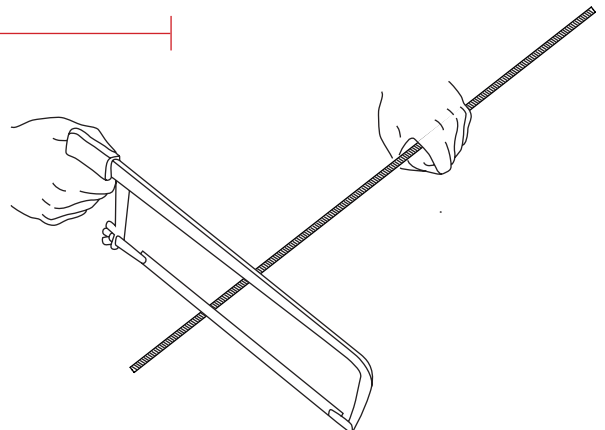
2. Mark the length of the tube required, using a marker or tape. Then hold down the tube with a hand or a clamp, use a hacksaw or electrical tool to cut the tube. Recommended to clean tube after cutting to remove any metal chippings.



3. Now that the cover tube is cut to 11.4", measure the all thread tube to be 11.4 and 1/2" long. And place a mark, with a marker or tape.



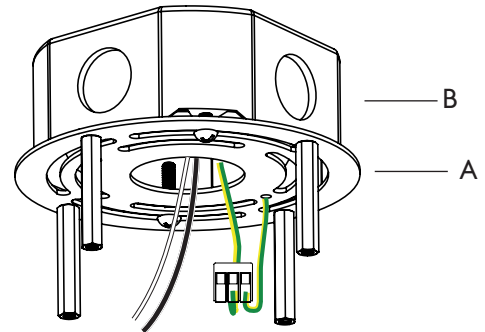
4. Hold down the all thread with a hand or a clamp, use a hacksaw or electrical tool to cut the all thread tube. Recommended to clean all thread tube after cutting to remove any metal chippings.



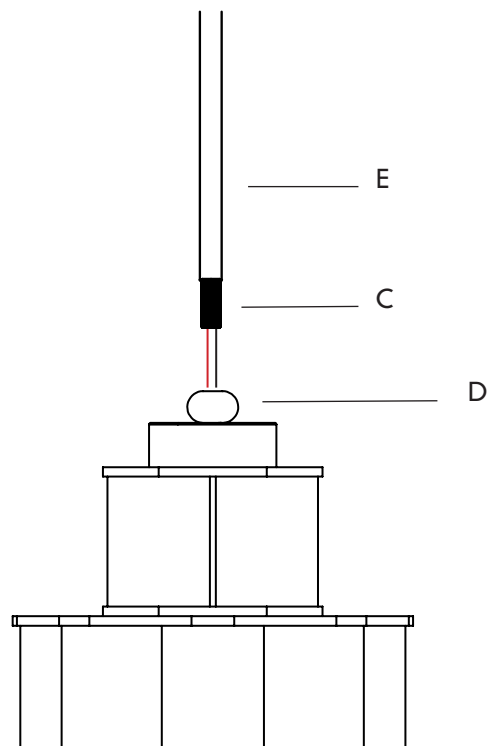
BAUER CHANDELIER | CEILING INSTALLATION

Note: Please contact a licensed electrician.

01. Detach the crossbar (A) from the driver assembly by unscrewing the 4 screws (set them aside for later), and attach it to the J-box (B) with the provided #8-32 screws.
02. Pull the ceiling lead wires through the center hole in the crossbar, and connect the ground wire to the crossbar.



03. Feed wire from the fixture through the threaded rod (C). Thread the rod a quarter inch into the top hub of the fixture (D).
04. Slide the cover tube (E) over the threaded tube (C).



BAUER CHANDELIER | CEILING INSTALLATION

Note: Please contact a licensed electrician.

05. Slide the bauer canopy nut (F) and the canopy (G) down the cover tube (E).
06. Feed the fixture wires from the threaded tube (C), through the hangstraight (H). And screw in the threaded tube (C) into the hangstraight (H)
07. Raise the driver assembly plate (I) with the hangstraight, threaded rod and fixture all connected to the crossbar standoffs and screw in with 4 screws (J). Make sure the lead wires feed out to the side.
08. Connect the lead wires to the LED driver with the provided wago connectors (K).
09. Connect the secondary fixture wires with the provided wago connectors (L).
(Optional: connect the dimming wires with provided wago connectors (M))
Tuck all wires back into the main body.
10. Raise the canopy (G) to the ceiling, and tighten in place with bauer canopy nut (F).

