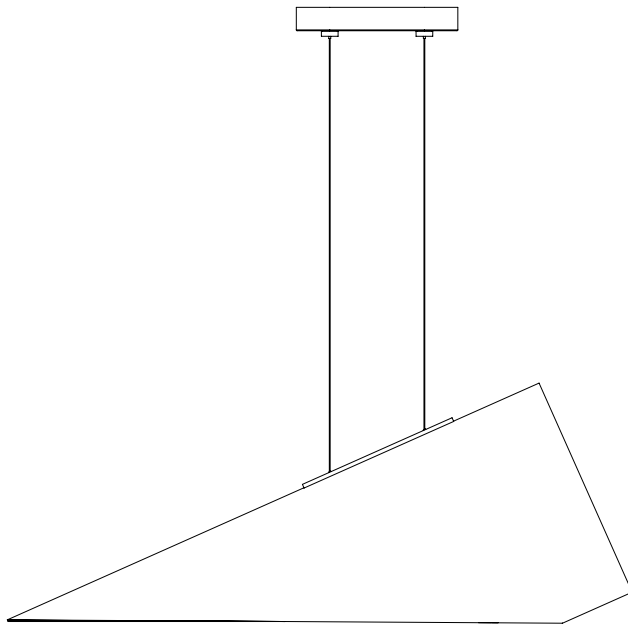


CONTENTS

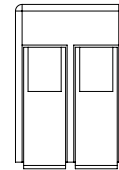
Arbor Pendant 02



J-Box Screw (x2)



Wago Connector (x4)



Jumper wires (x1 Black, x1 White)



SAFETY INFORMATION

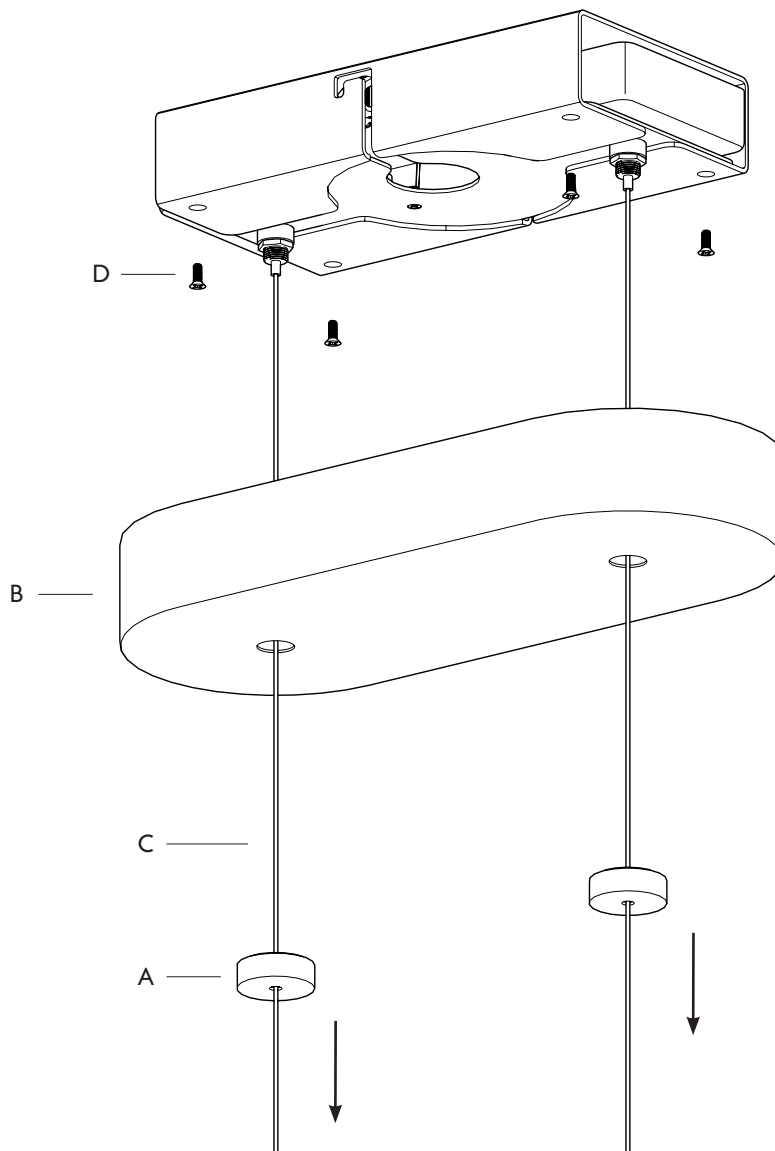
Only suitable for direct mounting on non-combustible surfaces.
Under no circumstances can Arbor fixtures be mounted on normally flammable surfaces.
Suitable for dry, indoor use only.
Maximum ambient temperatures: 25° C

ARBOR PENDANT | INSTALLATION

Note: Please contact a licensed electrician for installation.

Note: Ensure power is off during installation.

1. Unthread canopy nuts (A) and gently lower canopy (B) down aircraft cables (C) and rest onto fixture below.
2. Unscrew x4 #8-32 screws (D) from corner holes and place to the side for later.

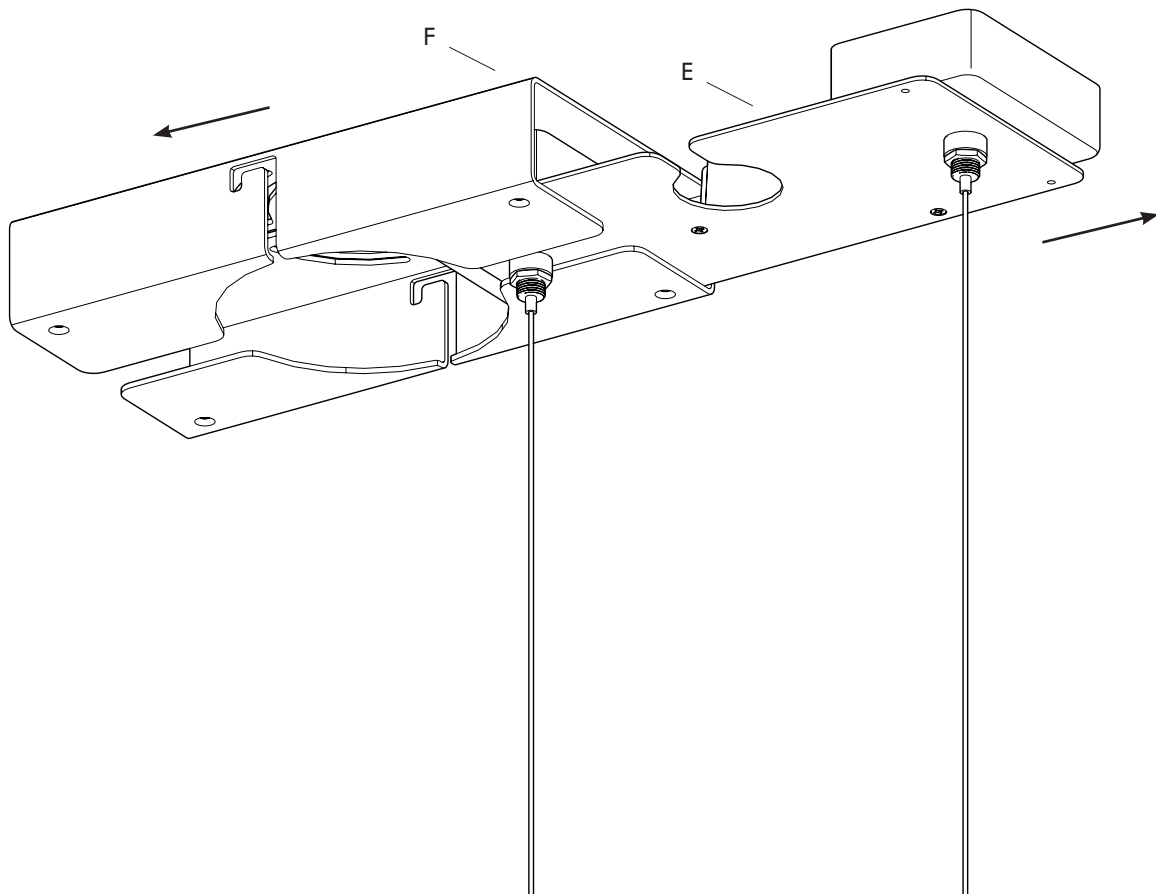


ARBOR PENDANT | INSTALLATION

Note: Please contact a licensed electrician for installation.

Note: Ensure power is off during installation.

3. Slide out canopy plate (E) from the crossbar (F). Place canopy plate and the attached fixture to the side for later.

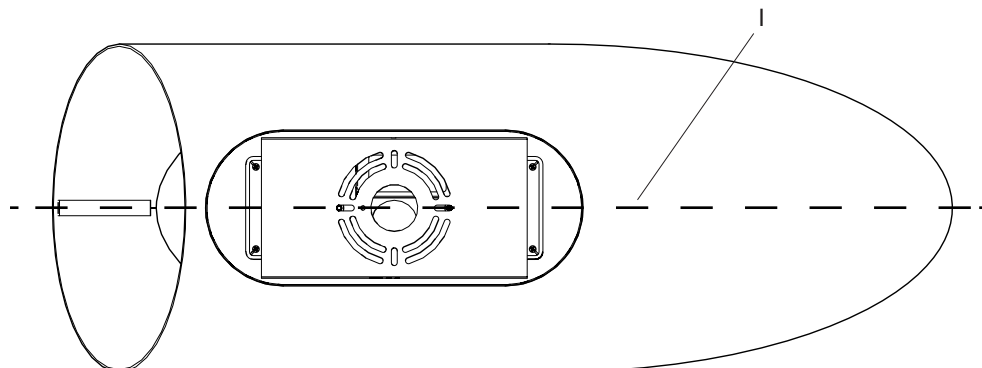
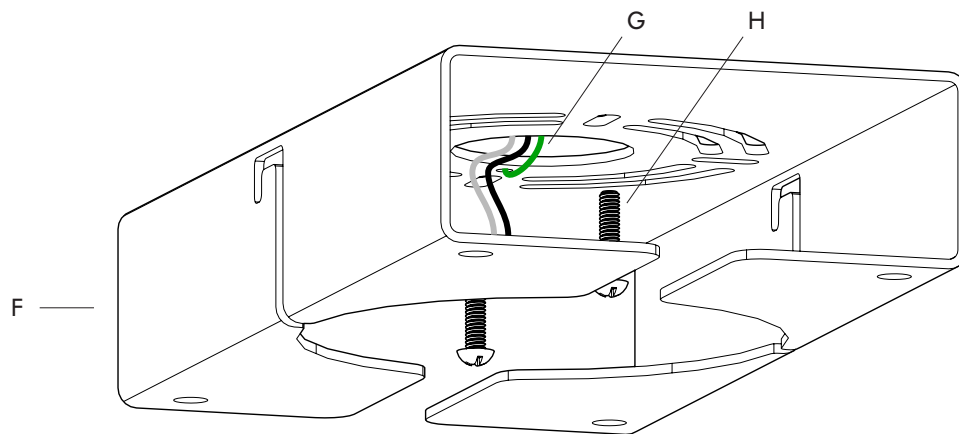


ARBOR PENDANT | INSTALLATION

Note: Please contact a licensed electrician for installation.

Note: Ensure power is off during installation.

4. Connect the ground wire (G) to the crossbar (F) and pull the lead wires through the center hole.
5. Mount the crossbar (F) to the junction box using the x2 provided #8-32 j-box screws (H). Note that the orientation of this crossbar will determine the orientation of the fixture (I).
6. Attach the provided black/white jumper wires to the lead wires using x2 Wago connectors to increase the length of the lead wires. Push the Wagos back into the j-box.



ARBOR PENDANT | INSTALLATION

Note: Please contact a licensed electrician for installation.

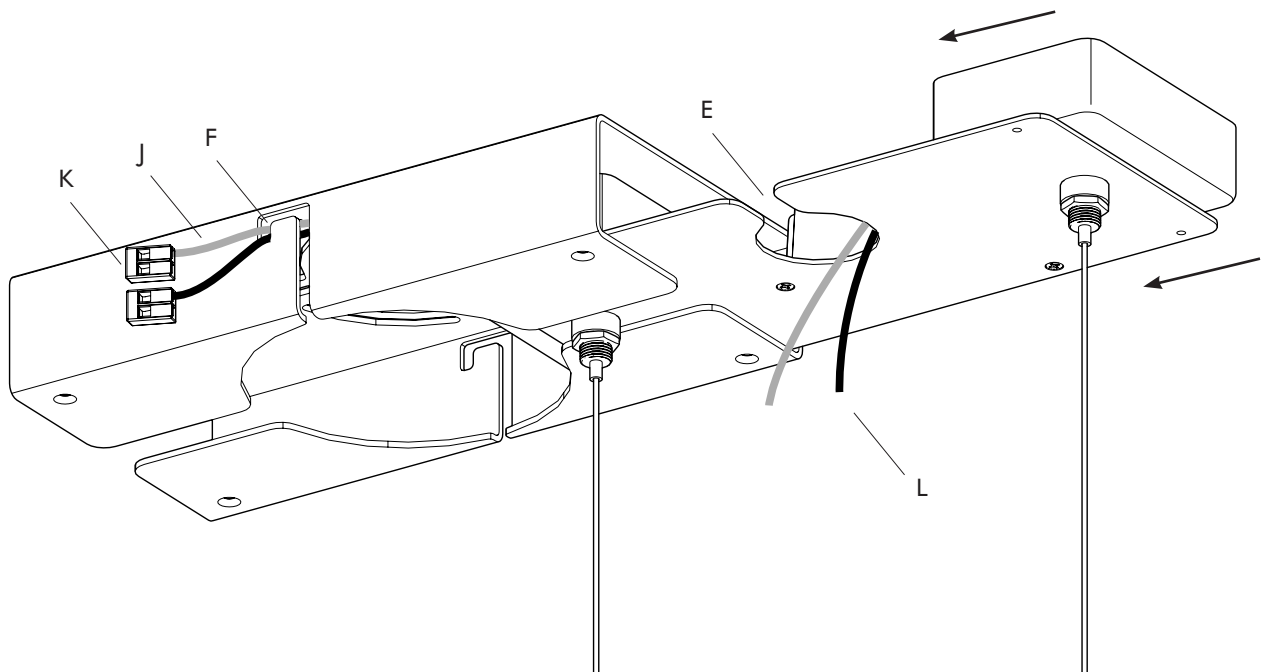
Note: Ensure power is off during installation.

7. Pull jumper wires (J) out the side channel in the crossbar (F) and attach the Wago connectors (K) so they don't fall back through.

Note that there are channels on either side of the crossbar. The wires should be pulled out on the same side as the opening on the canopy plate (E), based on the fixture orientation chosen.

8. Pull the driver wires (L) down through the center hole and keep a hand on them so they don't fall back through.

9. Support the weight of the fixture and slide the canopy plate (E) back into the crossbar. Make sure the wires do not get tugged or pinched during this process.



ARBOR PENDANT | INSTALLATION

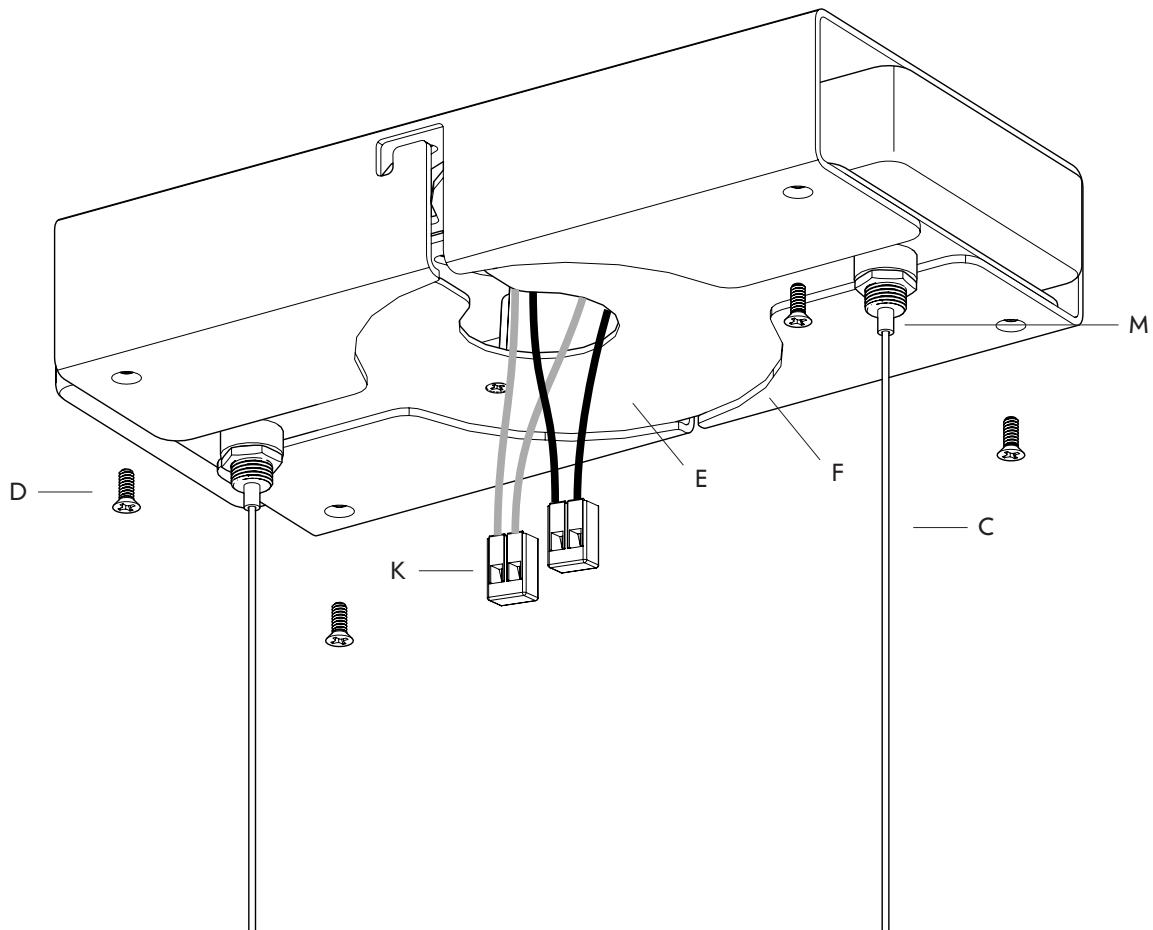
Note: Please contact a licensed electrician for installation.

Note: Ensure power is off during installation.

10. Re-attach the x4 #8-32 screws (D) that were removed previously in Step 2 to lock the canopy plate (E) to the crossbar (F).

11. Pull the lead wires down the channel and into the center area. Make wiring connections between corresponding lead and driver wires and gently push Wago connectors (K) back up into center hole.

12. Adjust the height of the fixture and ensure it is level. To raise the fixture, feed the aircraft cables (C) up into griplock plungers (M). To lower the fixture, support the weight of the fixture and press up on the griplock plunger to release the aircraft cable.



ARBOR PENDANT | INSTALLATION

Note: Please contact a licensed electrician for installation.

Note: Ensure power is off during installation.

13. Raise the canopy (B) up to the ceiling so that the griplock plungers (M) go through the holes in the canopy.

14. Thread the canopy nuts (A) onto the griplock plungers to tighten the canopy flush to the ceiling.

