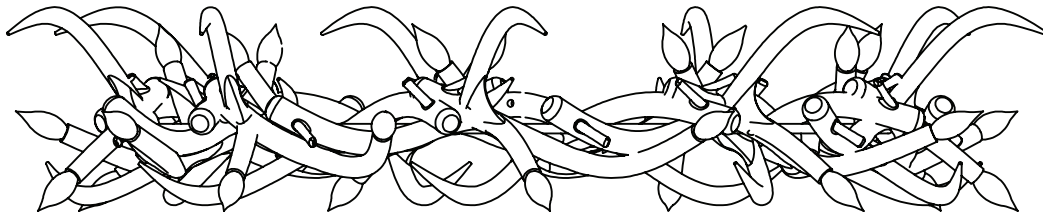
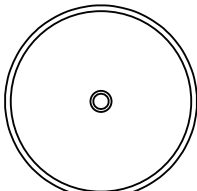









CONTENTS

Superordinate Antler Chandelier - 27 Antler Ring



<p>Canopy</p> 	<p>Crossbar</p> 	<p>1/8-27 Threaded Nipple</p> 	<p>Inlet bushing</p> 
<p>120V E12 LED Bulbs (27) 240V E14 LED Bulbs (27)</p> 	<p>8-32 Screws (2)</p> 	<p>Wago Connector (2)</p> 	<p>Barrel coupling</p> 

SAFETY INFORMATION

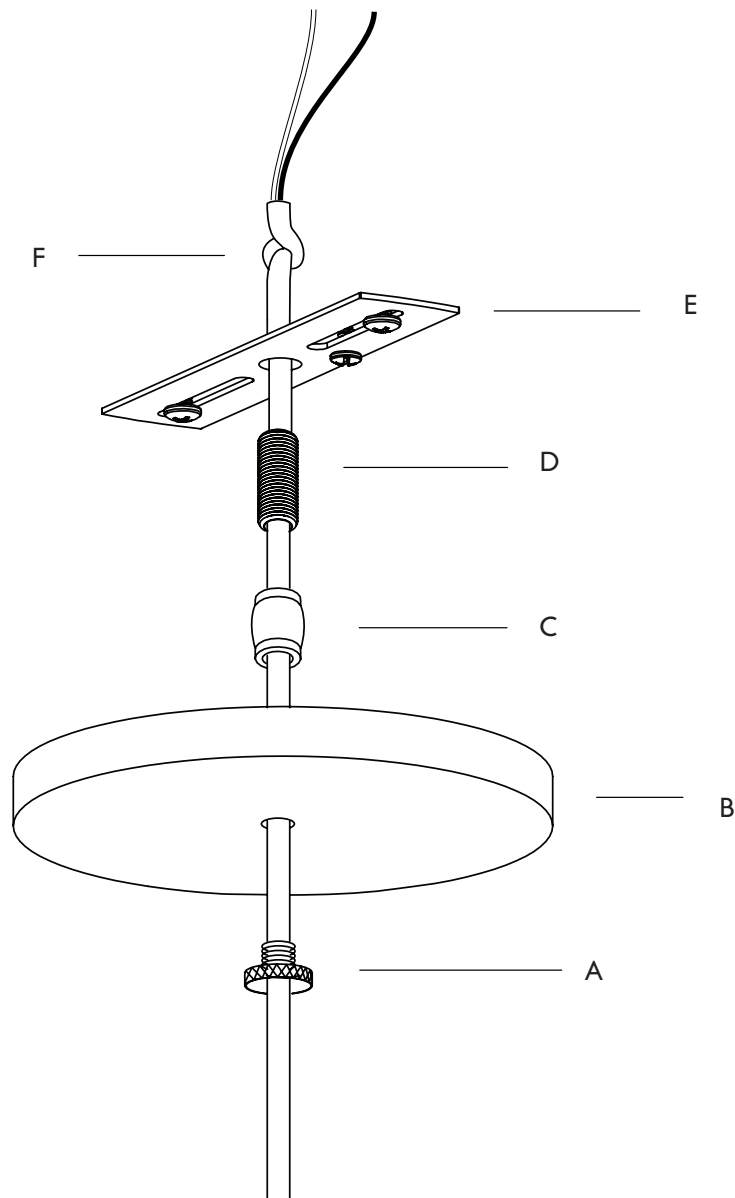
Only one light bulb per socket.
 Only suitable for direct mounting on non-combustible surfaces.
 Under no circumstances can Superordinate Antler Fixtures be mounted on normally flammable surfaces.
 Suitable for dry, indoor use only.
 Maximum ambient temperatures: 25° C

SUPERORDINATE ANTLER CHANDELIER 27 INSTALLATION

Note: Please contact a licensed electrician.

Note: Do not use bulbs that exceed 25 watts.

1. Slide the following in order onto the antler cord, Inlet bushing (A), Canopy (B), Barrel coupling (C), 1" nipple (D), and crossbar (E).
2. Next, screw in the 1" nipple (D) into the crossbar (E), and barrel coupling (C) onto the 1" nipple (D), then tie a knot at the end of the antler cord (F), make sure to leave enough wire length to make the electrical connections.

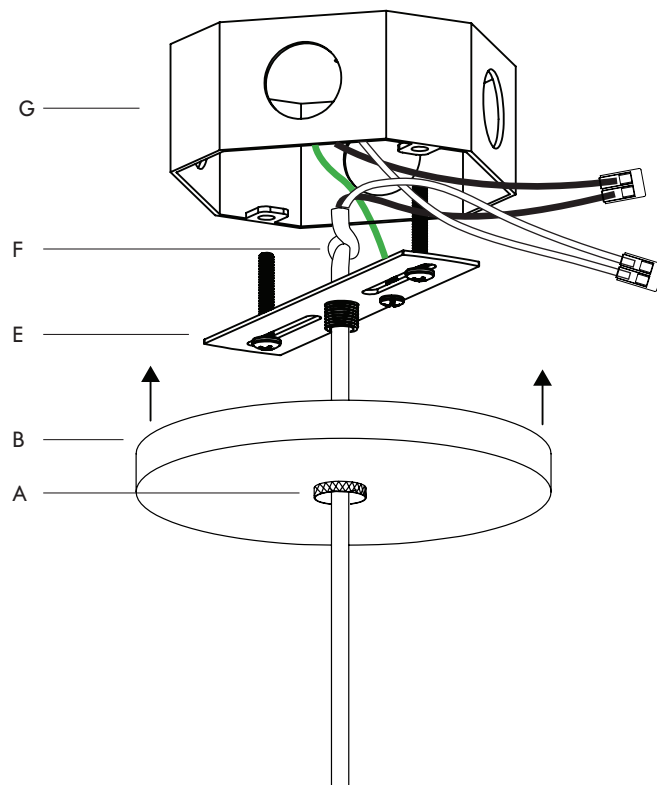


SUPERORDINATE ANTLER CHANDELIER 27 INSTALLATION

Note: Please contact a licensed electrician.

Note: Do not use bulbs that exceed 25 watts.

3. Install the crossbar using #8-32 screws to junction box (G). It is recommended to make the wire connections after installing the crossbar (E).
4. Once the crossbar is secure, tuck the connected wires into the junction box (G). Check if the knot (F) is tightly secured just above the crossbar (E).
5. Raise the canopy (B). Tighten flush to ceiling with inlet bushing (A).



REPLACING BULB

Note: Make sure to power off fixture and allow bulbs and porcelain arms to cool.

1. To change the LED bulbs (A) unscrew bulb from fixture (B) and replace.

