

M8

Midrange Speakers



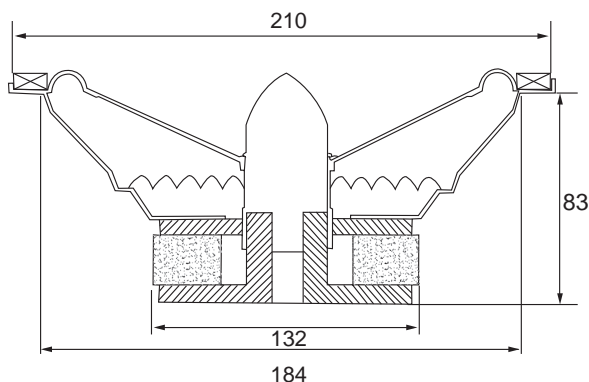
KEY FEATURES

- 1.5" Voice Coil
- 150 Watts Continuous Power Handling
- 96 dB Sensitivity
- 100-7 KHz



GENERAL SPECIFICATIONS

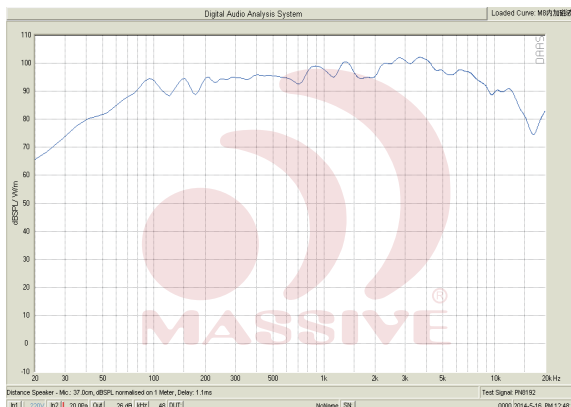
Nominal Diameter	8"(210 mm)
Nominal Impedance	8 ohm
Rated Power Handling	150 Watts
Program Power	300 Watts
Sensitivity 2.00v at 1m	96 dB
Recommended Hi Pass Crossover	100 Hz
Frequency Response	100-7 KHz
Voice Coil Diameter at - 10dB	1.5"(38 mm)
Voice Coil Wire	CCAW
Former Material	Til
Frame Material	Stamped Steel



THIELE-SMALL PARAMETERS

Equivalent Volume	Vas	11.2 L
Excursion	Xmax	0.75 mm
Free Air Resonance	Fs	100 Hz
Mechanical Mass	Qms	1.48
Electcal Factor	Qes	0.627
Total Factor	Qts	0.441
Cone Area	Sd	0.02 m2
Mechanical Mass	Mms	0.0122 kg
BI Factor	BI	8.1 Tm
Dc Resistance	Re	5.2 ohms
Inductance	Le	0.18 Mh at 1 KHz
Mechanical Compliance	Cms	1.87 mm/N

Frequency Response Measured at 2.00V/1m



300
PEAK WATTS

