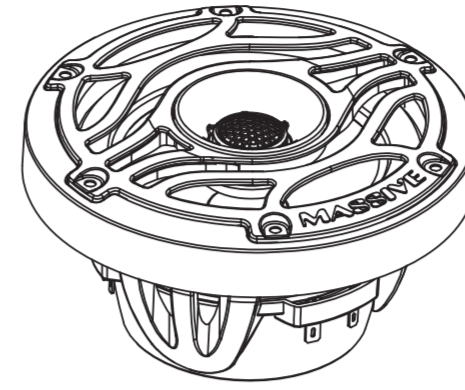


MASSIVE[®]

Trident Marine Series Speakers

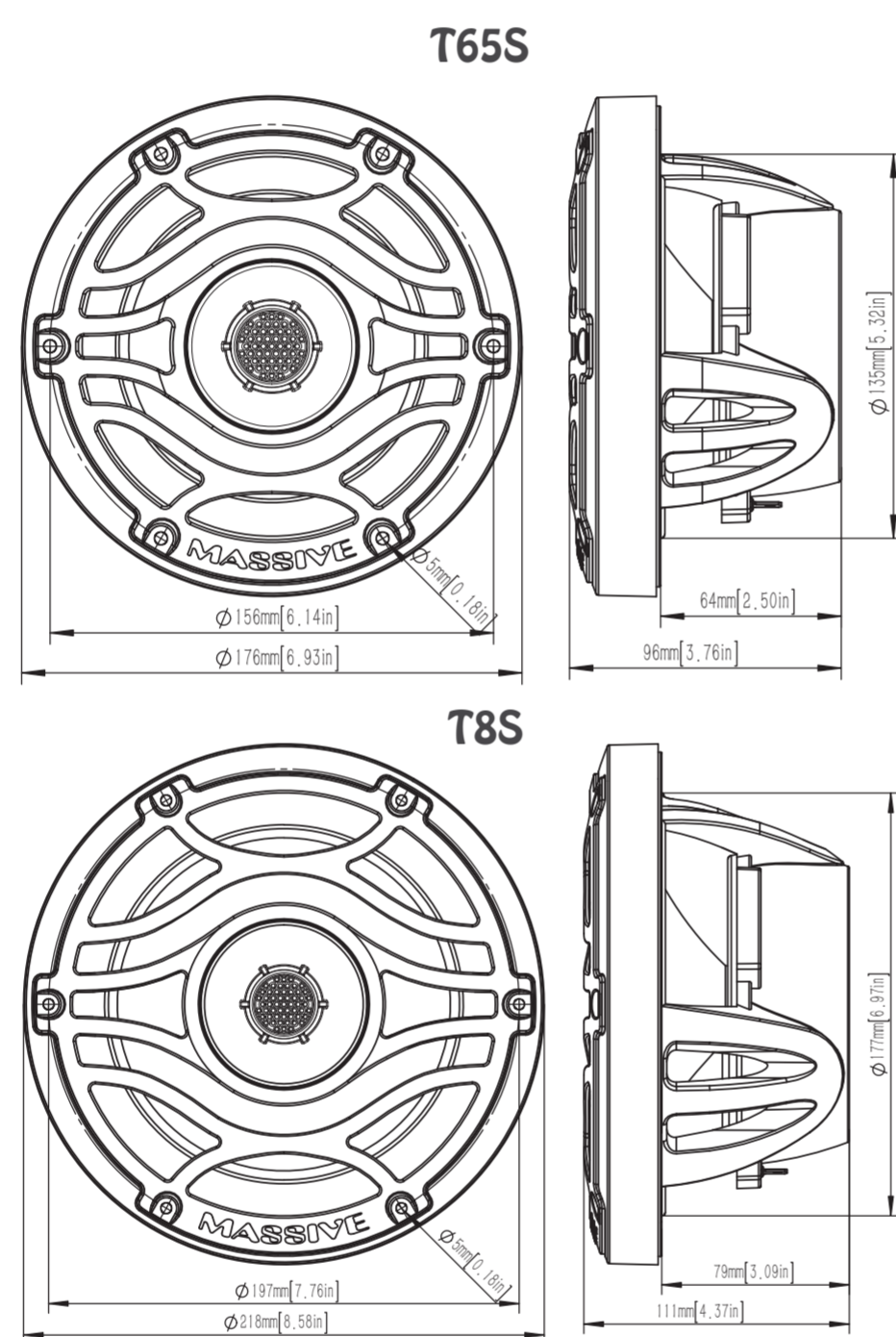
T65S/T8S



Massive Audio Inc.
2261 S. Atlantic Blvd.
City of Commerce, CA 90040 U.S.A.
www.massiveaudio.com

©2018 Massive Audio Inc.
Printed in the U.S.A.

DIAMENSIONS



FEATURES

MODEL	TYPE	RMS/PEAK POWER
T65S	6.5" 2-WAY	160W/320W
T8S	8" 2-WAY	200W/400W

T65S&T8S Features

- T65S & T8S Speaker for Boats,UTVS,ATVS,Golf Carts ,Motorcycles
- 2-Way Coax Separating Floated Design
- Marine Grade IP65 & CTA2031 Compliant 100% UV Stable
- Allare Rated At 4 Ohm
- Include RGB LED "Pulse" Lighting
- 1" Silver PEI Dome Tweeters With Horn
- Injection PP cones, NBR surrounds
- High Powered Y35 Ferrite Magnets
- Carbon Fiber Texture Grill with 316 Metal Mesh
- High Temp Polycarbonate(PC) Composite Basket
- Power Handling 160 /200 Watts
- Sensitivity: 90/92dB at 1W/M
- Mounting Depth: 2.55"/65mm & 3.11"/79mm
- Cut-out Diameter: 5.4"/137mm&7.09"/180mm
- Over-All Diameter: 6.9"/176mm&8.58"/218mm
- Over-all Height: 3.75"/95mm&4.45"/113mm

PACKING INCLUDE

- One Pair Marine Grade Speaker
- 2X1.5M #18 Speaker Input Wires With Fast Terminal
- 2X1.5M #22 RGB LED Power Input Wires With Fast Terminal
- 12XM4 Philips Inner Hex Head 304 Stainless Screw(3mm Hex Tool)
- Owners Manual

4

1

SPECIFICATIONS

MODEL	T65S	T8S
Nominal Diameter	6.5 (165)	8 (203)
Type	2-Way	2-Way
Nominal Impedance (Ohms)	4Ω	4Ω
Frequency Response (Hz)	45-23kHz	35-23kHz
Voice Coil Diameter	1.2" (30.5mm)	1.5" (38 mm)
Power Handling RMS/PEAK	160W/320W	200W/400W
Fs-Free Air Resonance (Hz)	65	50
Qts	0.622	0.532
Vas - cu.ft (Liter)	0.3 (8.5)	0.795 (22.5)
Sensitivity(1W/1M)	90dB	92dB
Xmax	0.16" (4mm)	0.16" (4mm)
Mounting Hole	5.31" (135mm)	6.97" (177mm)
Mounting Depth	2.5" (63.5mm)	3.09" (78.5mm)

We Reserve The Right To Change Products And Specifications At Any Time Without Notice. Images May Or May Not Include Optional Equipment

2

INSTALLATION

Installation Considerations before attempting Install,

- Be sure to carefully read and understand the instructions before attempting to install these speakers.
- For safety, disconnect the negative battery terminal from the battery prior to beginning the installation.
- For easier assembly, we suggest you run all wires prior to mounting speakers in place
- Use high quality connectors for a reliable installation and to minimize signal or power loss.
- Think before you drill! Be careful not to cut or drill into gas tanks, fuel lines, brake or hydraulic lines, vacuum lines or electrical wiring when working on any vehicle. If installation in a boat, take care not to cut or drill through the main hull.
- Never run wires underneath the vehicle. Running the wires inside the vehicle or hull area provides the best protection.
- Avoid running wires over or through sharp edges. Use rubber or plastic grommets to protect any wires routed through metal, especially the firewall.

Mounting

- Determine where the speakers will be mounted. Ensure an area large enough for the speaker to mount evenly. Be sure that the mounting location is deep enough for the speaker to fit; only mount to a flat surface. Use extra caution when mounting on panels with urethane foam.
- Refer to the specification chart to determine the proper diameter hole to cut for your speaker model.
- Mark the locations for the mounting screws. Drill the holes with a 1/8" bit.
- Feed the speaker wires through the cutout and connect to the speaker terminals. Be sure to observe proper polarity when connecting the wires. The speaker's positive terminal is indicated with a "+" .
- Fit the speaker and mount into place using six (6) screws.
- Tighten the screws until the speaker is snug in place
- LED CONNECTIONS: There are two options to choose from:
 7-1, Connect RGB Wires To RF RGB LED Controller Or WIFI RGB LED Controller (Optional)
 7-2, Connect To Battery(DC12V), Speaker RGB LED Fast Terminal "+" Connect To Battery Positive.

- Green Color: "G" Fast Terminal Connect to Battery Negative
- Red Color: "R" Fast Terminal Connect to Battery Negative
- Blue Color: "B" Fast Terminal Connect to Battery Negative
- Purple Color: "R" And "B" Fast Terminal Connect to Battery Negative
- Yellow Color: "R" And "G" Fast Terminal Connect to Battery Negative
- Cyan Color: "B" And "G" Fast Terminal Connect to Battery Negative
- White Color: "R" And "B" And "G" Fast Terminal Connect to Battery Negative

3