

PX PK

PERFORMANCE SERIES

Congratulations!

And thank you for purchasing “Massive Audio” Performance Series Components or Co-axials for your car audio system. You now own loudspeakers of uncompromising design and engineering. These systems incorporate the latest advances in motor and cone structure. These handcrafted speakers are designed to deliver accurate sound while fulfilling the demands of serious sound competitors. You will quickly discover these Performance Series speakers display a fine balance between high quality, performance and reliability; all proven qualities of “Massive Audio” products.

“Massive Audio” speakers are the result of American Craftsmanship using only the highest quality components and quality control standards. In order to provide you with many years of listening pleasure, we recommend you have your new speakers installed by an Authorized “Massive Audio Dealer.” This will ensure the proper installation of your product, and increase the length of your warranty to **TWO YEARS**.

(Please see the warranty section of for more details.)

Please take a moment to thoroughly read this manual to ensure that you get the maximum benefit from this new addition to your car audio system. When installed properly, this unit will provide years of trouble-free performance.

Should your speaker ever need service or replacement due to theft, please record the following information, which will help protect your investment.

Model #: _____

Dealer's Name: _____

Date of Purchase: _____

Installation Shop and Date: _____

WARRANTY

- Massive Audio, Inc. warrants all manufactured subwoofer products to be free from defect in material and workmanship for a period not to exceed **TWO YEARS*** from the date of purchase when installed by an authorized “Massive Audio” dealer. Units that are not installed by an authorized “Massive Audio” dealer maintain a warranty not to exceed 1 year from the original purchase date by the original purchaser.
- **Products that displays abuse such as burnt Voice Coils may require purchase of new recone kit.**
- “Massive Audio” obligations under this warranty are limited to repairing or replacing, at its own sole option, any such defective products. This warranty does not apply to equipment that has been damaged by accident, negligence, or misapplication or has been altered or modified in anyway. This warranty applies only to the original purchaser who must have properly registered the product within 10 days of purchase.

Except as provided herein, Massive Audio, Inc. makes no warranties or representations, express or implied, including any warranty implied by law, whether for merchantability or fitness for a particular purpose and shall be effective only for the period that this express warranty is effective. SEE THE WARRANTY REGISTRATION CARD TO ADDITIONAL INFORMATION.



Massive Audio Inc. 2261 S. Atlantic Blvd. City of Commerce, CA 90040 U.S.A.
www.massiveaudio.com

DESIGN FEATURES PX SERIES CO-AXIAL

Heavy powder coated Steel basket:

Shallow stamp steel frame basket with heavy powder coat finish for low distortion and ease of installation.

Dual-Mag neodymium magnet:

Custom Dual reverse high grade Neodymium magnets for maximum motor efficiency. .

Custom cone:

Vacuum formed poly-mica custom cone for a rigid and light weight diaphragm.

Rubber Surround:

High damping performance NBR rubber surround to enhance suspension performance.

3/4" Aluminum Voice coil:

Single 4 Ohm voice coil on aluminum former for detail sound reproduction and increased power handling.

Swivel mount tweeter: (PX Series)

Acutech coted silk convex dome on 3/4" swivel mount tweeter with custom tolled plate to ensure accurate sweet and warm sound reproduction.

20 mm Tweeter: (PK Series)

Acutech coated silk convex dome including flush and surface mount housing options.

U-Yoke motor:

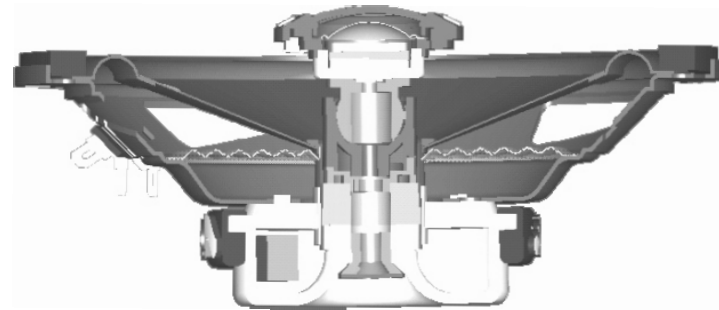
20mm voice coil on aluminum former and inner neodymium U-yoke motor design for high transient and accurate image.

Built-in filter: (PX Series)

-3 dB filter at 3000 Hz for smooth high frequency transition with poly switch protection.

2-WAY Crossover: (PK Series)

-12 dB filter at 3000 Hz for smooth flat response adjustable 0, -3, +3 dB in a clear acrylic housing.



SPECIFICATIONS

Model	PX 4	PX 5	PX 6	PX 4X6	PX 5X7	PX 6X9	PK 5	PK 6
Woofer Size	4"	5.25"	6.5"	4" x 6"	5" x 7"	6" x 9"	5.25"	6.5"
Tweeter Size	3/4"	3/4"	3/4"	3/4"	3/4"	3/4"	3/4"	3/4"
Frequency Range	70 - 18KHz	60 - 18KHz	50 - 18KHz	65 - 18KHz	55 - 18KHz	45 - 18KHz	55 - 18KHz	45 - 18KHz
SPL@1W	89 dB	91 dB	92 dB	90 dB	91 dB	92 dB	91 dB	92 dB
Watt@RMS	30 W	40 W	50 W	30 W	40 W	50 W	40 W	50 W
Maximum power	120 W	150 W	170 W	150 W	160 W	170 W	180 W	220 W
Crossover point	3 KHz	3 KHz	3 KHz	3 KHz	3 KHz	3 KHz	3 KHz	3 KHz
Frame Diameter	4"	5.1"	6.48"	6.10"	8.62"	9.21"	5.1"	6.48"
Mounting Hole Diameter	3.54"	4.45"	5.48"	5.39"	7.05"	8.38"	4.45"	5.48"
Mounting Depth	1.93"	1.94"	2.10"	1.90"	2.32"	2.93"	1.94"	2.10"