

# NEO Series Subwoofers

## General Features

- \* Heavy Gauge Steel Basket With Industrial Texture Painting
- \* High Flux Y30 Strontium Ferrite Magnet
- \* Dual Impedance Black Anodized Former With EISV Voice Coil
- \* Poly Cotton Spider With Woven Round Tinsel Leads
- \* Laminated Paper Cone With Pressed Foam Surround
- \* Round Shape PP Vacuum Dust Cap
- \* 8mm Top Plate

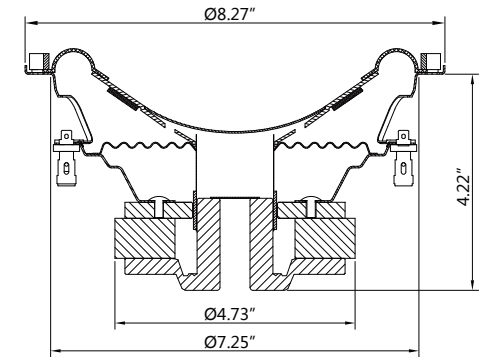
## Specifications

CONFIGURATION		NEO 8			NEO 10			NEO 12			NEO 15		
Voice Coil		Dual 4 Ohm			Dual 4 Ohm			Dual 4 Ohm			Dual 4 Ohm		
FS	Hz	45			42			40			28		
Qms		7.05			5.84			6.34			5.08		
Vas	liters	10.14			16.85			39.04			134.35		
Cms	um/N	176.5			106.8			107.1			137.5		
Mms	g	47.9			124.5			139.5			252.8		
SPL@2.83V/1m	dB	91			91			92.4			93.5		
Watts RMS	W	300			400			400			500		
Peak Power	W	600			800			800			1000		
Xmax	mm	8			16			16			16		
Magnet Weight	oz	45			75			75			75		
Xmech	mm	15.4			10.2			12.1			16.8		
Dia	mm	160			205			253			325		
Sd	sq.m	0.0201			0.0330			0.0502			0.08295		
Vd	liters	0.161			0.528			0.803			1.327		
ELECTRICAL		Individual	Parallel	Series	Individual	Parallel	Series	Individual	Parallel	Series	Individual	Parallel	Series
Qes		1.396	0.470	0.786	1.775	0.90	0.927	2.034	1.023	1.073	1.745	0.961	0.950
Re	ohms	3.4	1.7	6.8	3.4	1.7	6.8	3.4	1.7	6.8	3.2	1.6	6.4
Le	mH	0.71	0.69	2.77	1.21	1.18	4.70	1.23	1.20	4.78	1.38	1.36	5.5
BL	Tm	6.34	6.16	12.07	8.09	7.96	15.49	7.77	7.78	15.01	8.87	8.10	15.97
Pe	Watts	100	200	200	200	400	400	200	400	400	250	500	500
ELECTROMECHANICAL		Individual	Parallel	Series	Individual	Parallel	Series	Individual	Parallel	Series	Individual	Parallel	Series
Qts		1.16	0.67	0.70	1.36	0.78	0.81	1.54	0.88	0.95	1.29	0.83	0.84
no	%	0.115	0.228	0.21	0.076	0.155	0.154	0.129	0.254	0.245	0.146	0.308	0.30
1-W-SPL	dB	82.6	85.6	85.2	81.1	84.0	83.9	83.1	86.1	85.9	83.7	86.6	86.8
2.8V SPL	dB	86.2	92.1	85.9	84.2	92.4	84.5	86.3	92.2	86.5	87.6	93.8	87.6

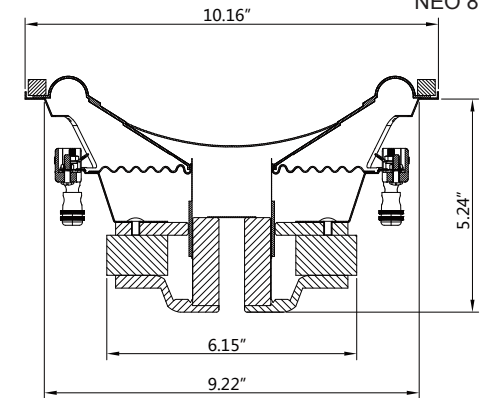
**1000**  
PEAK WATTS



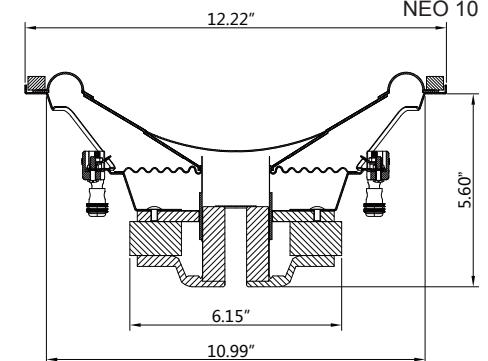
P.O. Box 252004 LOS ANGELES, CA 90025 U.S.A.  
WWW.MASSIVEAUDIO.COM



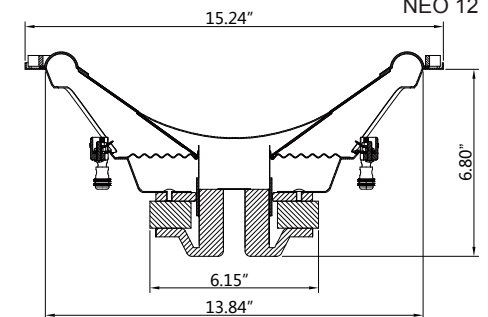
NEO 8



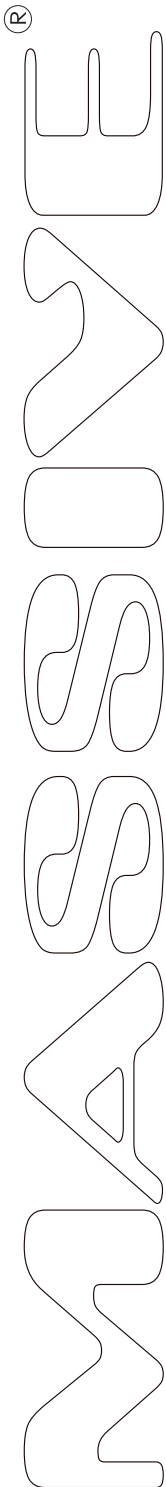
NEO 10



NEO 12



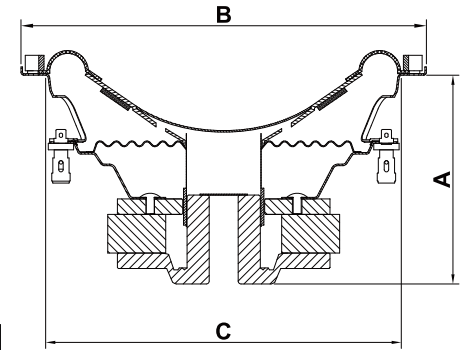
NEO 15



# NEO

For More Customized Box Volume Specifications  
Please visit [www.massiveaudio.com](http://www.massiveaudio.com)

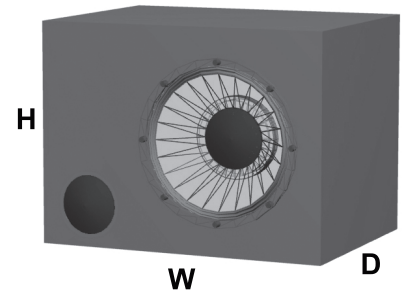
	NEO 8	NEO 10	NEO 12	NEO 15
Mounting Depth (A)	4.22 In.	5.24 In.	5.60 In.	6.80 In.
Mounting Diamter (B)	7.85 In.	9.67 In.	11.7 In.	14.57 In.
Mounting cut diameter (C)	7.25 In.	9.22 In.	10.99 In.	13.84 In.
Net weight (Lb)	5.64	10.93	11.38	13.45
Displacement (ft3)	0.4	0.9	0.9	1.5



### Recommended Enclosures:

	NEO 8		NEO 10		NEO 12		NEO 15	
	Small	Large	Small	Large	Small	Large	Small	Large
<b>SEALED</b>								
Volume (cub. ft)	0.33	0.8	0.66	1	1.25	1.25	1.75	2.25
Internal Dimensions (in.)								
(width x Height x Depth)	8x8x9	10x10x12	10x11x11	11x12x12	12x12x12	12x13x14	15x15x15	15x16x17
F3 Hz	69	64	46	44	46	44	38	36
Qtc	.757	.672	.811	.792	.801	.787	.824	.764
<b>PORTED</b>								
Volume (cub ft.)	.75	1.0	1.25	1.6	1.5	2.0	2.5	3.0
Internal Volume ( W x H x D)	10x11x12	12x12x12	12x13x14	14x14x14	12x14x15	14x14x18	15x16x18	16x18x18
Fb Hz	56	48	36	39	38	39	34	34
Cabin Gain dB/Hz	4@60	5@55	6@44	8@44	6@40	7@41	8@38	9@38
Port round (D x L)	2.5x4	3x4	3x10	4x10	4x12	4x8	4x8	(2) 4x12
Port Area sq. in.	4.91	7.07	7.07	12.56	12.56	12.56	12.56	25.0
<b>Dual Sub Box Ported</b>								
Volume (cub ft.)	1.0	1.5	2.4	3.0	3.0	3.5	5.0	6.0
Internal Volume ( W x H x D)	16x9x2	16x12x14	21x14x14	20x16x16	12x14x18	24x14x18	32x16x17	32x16x20
Port (1) Sq.area in.	12.5	12.5	14.10	25	25	25	25	30
Port Length	10	8	10	12	8	8	10	12
Fb Hz	49	49	36	38	39	36	31	35

The port may have to be placed along the back wall facing the side. Place a brace between the subs about 4 inches wide on the inside.  
Make sure that the end of the port "inside the box" is at least the same distance away from the back wall as the port diameter. If port is 4" round = 4.5" from wall



### Attention:

- \*Box sizes account for driver and port displacement
- \*For higher SPL shortning the port length 3 in. will rise frequency +/- 5 Hz
- \*Box specifications are internal. for external dimensions add the width of the box material to these dimensions.
- \*A square port (slot) is preferred in high power applications for less vent noise.
- \*Port area = width x height
- \*For dual speaker, double the volume and the number of ports but keep the same length.
- \*If possible use a divided box.
- \*If a commom chamber box is to be used, internal bracing is highly recomm ended
- \*Please contact Massive Audio for custom applications.

