

# Professional Audio Components

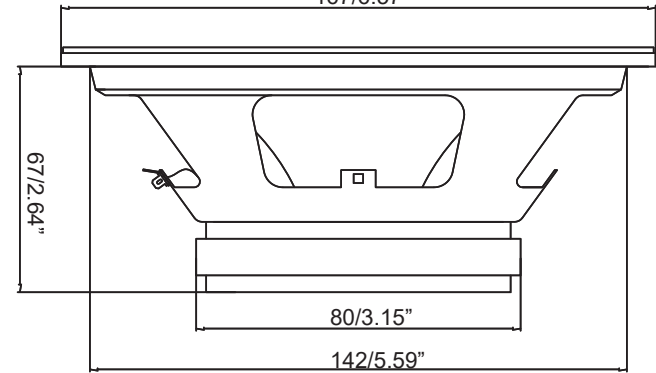
## Pro Audio Series

### Quick Reference & Specification

Model	M6E	MA6E
Znom Ohms	8	8
Revc Ohms	5.2	5.2
Sd m2	0.014	0.014
Mmd Kg	0.0058	0.0062
Usable Range (Hz)	150-10000	140-10000
Power MAX	100W	100W
Power RMS	60W	50W
Peak Power	120W	120W
Mms Kg	0.0066	0.007
Cms M/N	0.14	0.14
Vas m2	3.4	4.4
Resonant Frequency(Hz)	167.3	158.8
Qms	6.51	9.78
Qes	1.6	2.71
Qts	1.28	1.78
BL T*M	3.6	3.2
Sensitivity(dB)	96	96
No	0.67	0.67

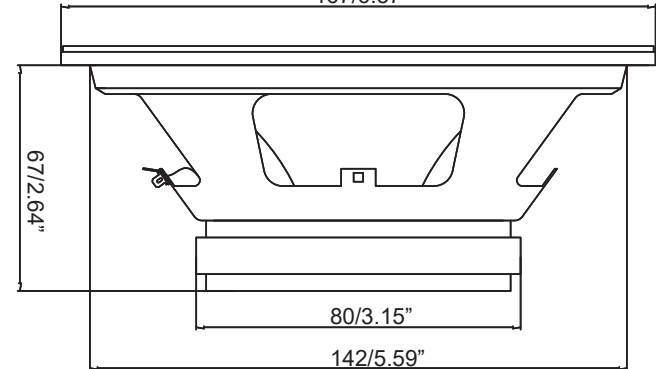
M6E

167/6.57"



MA6E

167/6.57"



**120**  
PEAK WATTS