

W
A
S
S
A
Y
E[®]

BLUETOOTH MULTIMEDIA
RECEIVER
MODEL NO.: H2BT



Owner's Manual

IMPORTANT REMINDERS

1. If your vehicle is exposed to direct sunlight and is subject to excessive heat in the vehicle, then you should be careful while using the device. If this receiver experiences overheating, it could cause permanent damage.
2. If the head unit does not power on, please check your wiring connections. Also, be sure to check the fuse.
3. Before installation, please pay attention to the wiring diagram in this manual to ensure the stereo is wired correctly.
4. This unit can play MP3/WMA files via USB or SD Card, but this device will not be able to play videos or display images.
5. This unit supports Bluetooth hands-free calling and music playback from your mobile device; however, this stereo does not support a phone book function. Incoming/Outgoing phone numbers will be displayed on the screen.

OPERATION GUIDE

PANEL FUNCTIONS



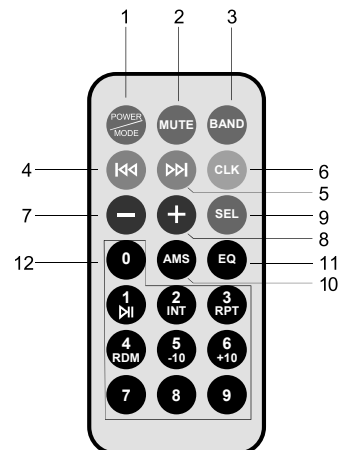
- | | |
|---|--------------------|
| 1. On/Off | 7. Preset stations |
| 2. IR remote control window (optional) | 8. Aux input |
| 3. Mode/Answer a call | 9. SD Card Slot |
| 4. Band/Reject or hang up a call | 10. USB port |
| 5. Station tuning & fast forward/rewind | 11. For Charging |
| 6. Clock adjustments | 12. Display |

HOW TO CONNECT TO BLUETOOTH

Turn on the unit. Find the Bluetooth name “ Massive H2BT ” on your phone then click to connect. Once connected, the Bluetooth icon on the screen of the device will stop flashing. To answer phone calls press “MODE” and “BAND” to hang up.

REMOTE FUNCTIONS

- | | |
|-----------------|--------------------------------------|
| 1. Power Switch | 7. Volume Down |
| 2. Mute | 8. Volume Up |
| 3. Band | 9. Multifunctional Selection Key |
| 4. Last Track | 10. Radio Search |
| 5. Next Track | 11. EQ |
| 6. Clock | 12. 0.1.2.3.4.5.6.7.8.9. digital key |



TROUBLESHOOTING

The following checklist will help you remedy problems you may encounter with your unit. Before going through the checklist below, check the connection and operating procedures.

ISSUE	POTENTIAL CAUSE/SOLUTION
GENERAL ISSUES	
No sound or the sound is very low.	The position of the fader control is not set for a 2-speaker system. The volume of the unit and/or connected device is very low. – Increase the volume of the unit and connected device.
<ul style="list-style-type: none"> • Stored stations and clock time erased. • The fuse has blown. • Makes a noise when the position of the ignition is switched. 	The leads are not matched correctly with the car's accessory power connector.
Head unit won't power on.	Make sure there's no short-circuiting between the wires; Replace the old fuse with appropriate capacity.
The display/illumination flashes.	The power supply is not sufficient. – Check that the car battery supplies enough power to the unit. (The power requirement is 12 V DC.)
Buttons not functioning properly.	Press the reset button on the panel. If it still does not work, unplug the power and plug it in again after a while.
Stations cannot be received. The sound is hampered by noises.	The connection is not correct. <ul style="list-style-type: none"> • Check the connection of the car antenna (aerial). • If the auto antenna (aerial) will not extend, check the connection of the power antenna (aerial) control lead.
Preset tuning is not possible.	The broadcast signal is too weak.

ISSUE	POTENTIAL CAUSE/SOLUTION
USB ISSUES	
You cannot play items via a USB hub.	This unit cannot recognize USB devices via a USB hub.
A USB device takes longer to play.	The USB device contains files with a complicated tree structure.

ISSUE	POTENTIAL CAUSE/SOLUTION
BLUETOOTH ISSUES	
The connecting device cannot detect this unit.	Before the pairing is made, set this unit to pairing standby mode.
Connection is not possible.	The connection is controlled from one side (this unit or Bluetooth device), but not both. – Connect to this unit from a Bluetooth device or vice versa.
The name of the detected device does not appear.	Depending on the status of the other device, it may not be possible to obtain the name.
The talker's voices are not audible.	The front speakers are not connected to the unit. – Connect the front speakers to the unit. The talker's voice is output only from the front speakers.
A call partner says that the volume is too low or high.	Adjust the volume accordingly using Mic gain adjustment.
Echo or noise occurs in phone call conversations.	<ul style="list-style-type: none"> • Lower the volume. • If the ambient noise other than the phone call sound is loud, try reducing this noise. For example, if a window is open and road noise, etc., is loud, shut the window. If an air conditioner is loud, lower the air conditioner.
The phone sound quality is poor.	Phone sound quality depends on the reception conditions of the cellular phone. – Move your car to a place where you can enhance the cellular phone's signal if the reception is poor.
The volume of the connected audio device is low.	The volume level will differ depending on the audio device. – Adjust the volume of the connected audio device or this unit

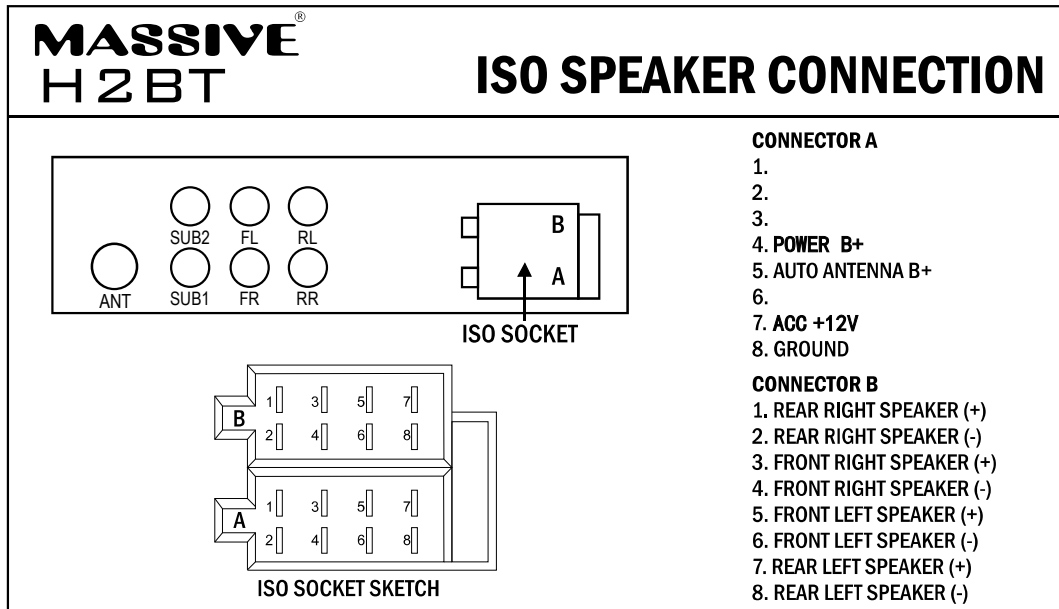
Cont. on next page >

< Cont. from previous page

ISSUE	POTENTIAL CAUSE/SOLUTION
BLUETOOTH ISSUES	
The sound skips during playback of a Bluetooth audio device.	<ul style="list-style-type: none">• Reduce the distance between the unit and the Bluetooth audio device.• If the Bluetooth audio device is stored in a case that interrupts the signal, remove the audio device from the case during use.• Several Bluetooth devices or other devices which emit radio waves are in use nearby.<ul style="list-style-type: none">– Turn off the other devices.– Increase distance from other devices.• The playback sound stops momentarily when the connection between this unit and the cellular phone is being made. This is not a malfunction.
The connected Bluetooth audio device cannot be controlled.	Check that the connected Bluetooth audio device supports AVRCP.
Bluetooth function cannot operate.	Turn off the unit by pressing (Power) for more than 2 seconds, then turn the unit on again.
No sound is output from the car speakers during hands-free calls.	If the sound is output from the cellular phone, set the cellular phone to output the sound from the car speakers.

INSTALLATION

Please pay close attention to this diagram before installing this head unit.



CAUTION

- Run all ground leads to a common ground point.
- Do not get the leads trapped under a screw, or caught in moving parts (e.g., seat railing).
- Before making connections, turn the car ignition off to avoid short circuits.
- Connect the yellow and red power supply leads only after all other leads have been connected.
- Be sure to insulate any loose unconnected leads with electrical tape for safety.

PRECAUTIONS

- Choose the installation location carefully so that the unit will not interfere with normal driving operations.
- Avoid installing the unit in areas subject to dust, dirt, excessive vibration, or high temperature, such as in direct sunlight or near heater ducts.
- Use only the supplied mounting hardware for a safe and secure installation.

INSTALLATION (CONT.)

NOTE ON THE POWER SUPPLY LEAD (YELLOW):

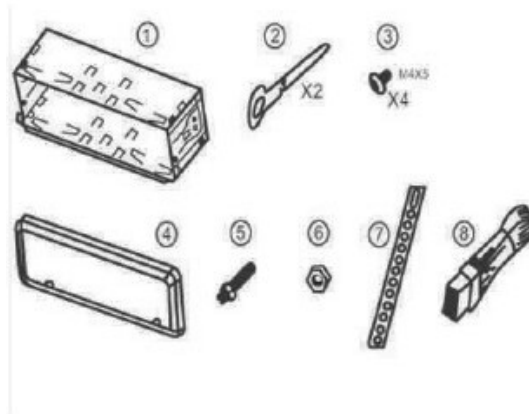
When connecting this unit in combination with other stereo components, the amperage rating of the car circuit to which the unit is connected must be higher than the sum of each component's fuse amperage rating

MOUNTING ANGLE ADJUSTMENT:

Adjust the mounting angle to less than 30°.

PARTS FOR INSTALLATION

- This parts list does not include all the package contents.
- The bracket and the protection collar are attached to the unit before shipping. Before mounting the unit, use the release keys to remove the bracket from the unit.
- Keep the release keys for future use as they are also necessary if you remove the unit from your car.



INSTALL STEPS

REMOVING THE PROTECTION COLLAR AND THE BRACKET

Before installing the unit, remove the protection collar and the bracket from the unit.

- Pinch both edges of the protection collar, then pull it out.
- Insert both release keys until they click, and pull down the bracket, then pull up the unit to separate

MOUNTING THE UNIT IN THE DASHBOARD

Before installing, make sure the catches on both sides of the bracket are bent inwards 2 mm (3/32 in).

- Position the bracket inside the dashboard, then bend the claws outward for a tight fit.
- Mount the unit onto the bracket, then attach the protection collar.

NOTES:

- If the catches are straight or bent outwards, the unit will not be installed securely and may spring out.
- Make sure the 4 catches on the protection collar are properly engaged in the slots of the unit.

SPECIFICATIONS

GENERAL	
Supply voltage	DC 12 V
Current consumption	Max 10 A
Power Output	4 x 50 W
Number of Pre-Outs	3 pairs (Front, Rear and Sub)
Speaker Impedance	4 Ohm
Mounting Dimensions	(W x H x D): 7" x 2" x 3-7/8" (W x H x D): 178mm x 51mm x 98mm

FM SECTION	
Tuning range	87.5 Mhz - 107.9 Mhz
Sensitivity	≤ 20 dB
Signal-to-noise ratio	≥ 60 dB
Stereo Separation	≥ 25 dB

AM SECTION	
Tuning Range	530 kHz – 1,710 kHz
Sensitivity	≤ 30 dB
Signal-to-noise ratio	≥ 45 dB

BLUETOOTH	
A2DP (Advanced Audio Distribution Profile)	1.2
AVRCP (Audio Video Remote Control Profile)	1.3

MASSIVE®



MASSIVE®

P.O. BOX 252004 Los Angeles, CA 90025 USA
www.massiveaudio.com