

MASSIVE[®]

SUPERSLIM ACTIVE SUBWOOFER

BOOM 10



INTRODUCTION

Congratulations!

And thank you for purchasing a "Massive Audio" active subwoofer for your car audio system. You now own an active subwoofer of uncompromising design and engineering incorporating the latest advances in technology. This handcrafted active subwoofer is designed to deliver the demands of serious sound competitors. You will soon discover that active subwoofer display a fine balance between high quality, performance and reliability; all proven qualities of "Massive Audio" products.

"Massive Audio" active subwoofer is the result of American Craftsmanship using only the highest quality components and quality control standards. In order to provide you with many years of listening pleasure, we recommend you to have your new active subwoofer installed by an Authorized "Massive Audio Dealer." This will ensure the proper installation of your product, and will also increase the length of your warranty to **ONE YEAR.**

(Please see the warranty section of this manual for more details.)

Please take a moment to thoroughly read this manual to ensure that you get the maximum benefit from this new addition to your car audio system. When installed properly, this unit will provide years of trouble-free performance.

Should your subwoofer ever need service or replacement due to theft, please record the following information, which will help protect your investment.

Model #: _____

Dealer's Name: _____

Date of Purchase: _____

Installation Shop and Date: _____

DESIGN FEATURES

- ✓ 3 OHM SUBWOOFER (CLASS AB)
- ✓ MIL SPEC PCB WITH SMD PARTS
- ✓ BUILT-IN NOISE REDUCTION CIRCUITRY
- ✓ FULL MOSFET WITH HIGH GRADE SWITCHING DEVICES
- ✓ BUILT-IN AUTO SENSING TURN ON FUNCTION (HI-INPUTS)
- ✓ 12V REMOTE OUTPUT FOR EXTERNAL DEVICES (HI-INPUTS)
- ✓ 0~12DB VARIABLE BASS BOOST
- ✓ NEXT GENERATION ADVANCED 5 WAY PROTECTION CIRCUITRY
- ✓ WORLD WIDE STANDARDS COMPLIANT.
(ROHS, E-MARK, CTA-2006, CE)



SUBWOOFER FUNCTIONS

1. +12 VOLT POWER

CONNECT THIS TERMINAL THROUGH A FUSE OR CIRCUIT BREAKER TO THE POSITIVE TERMINAL OF THE VEHICLE BATTERY OR THE POSITIVE TERMINAL OF AN ISOLATED AUDIO SYSTEM BATTERY.

2. AUTO SENSING TURN ON FUNCTION / REM OUT(HI-INPUTS)

WHEN USE HI-INPUT, THE AMP CAN DETECT THE DC OFFSET FROM THE HIGH LEVEL INPUT SIGNAL TO AUTO TURN ON/OFF. WHEN THE AMP TURNS ON, THE REM TERMINAL WILL OUTPUT +12V DC TO CONTROL THE OTHER DEVICE TURN ON/OFF.

REM IN: WHEN USE LOW LEVEL INPUT, THE AMP REM IN SHOULD BE CONNECTED TO THE REM OUT OF THE SOURCE UNIT. THE HEAD UNIT CONTROLS THE AMP TURN ON/OFF.

3. GND

CONNECT THIS CABLE DIRECTLY TO THE FRAME OF THE VEHICLE. MAKE SURE THE METAL FRAME HAS BEEN STRIPPED OF ALL PAINT DOWN TO THE BARE METAL. USE THE SHORTEST DISTANCE POSSIBLE. IT IS ALWAYS A GOOD IDEA TO REPLACE THE FACTORY GROUND AT THIS TIME WITH A LARGER CABLE EQUAL TO THE NEW DIRECTLY TO THE VEHICLE BATTERY GROUND TERMINAL OR ANY OTHER FACTORY GROUND POINTS.

4. RCA INPUT / AUTO HI-LOW LINE CONVERTOR

THESE RCA INPUT JACKS CONNECT WITH YOUR SOURCE UNIT RCA LOW LEVEL OUTPUTS OR VIA OPTIONAL ADAPTER WITH YOUR SOURCE UNIT SPEAKER HIGH LEVEL OUTPUTS. THE USE OF HIGH QUALITY TWISTED PAIR CAR AUDIO CABLES IS RECOMMENDED TO MIND POSSIBILITY OF DISTURBANCE THE AUDIO SIGNAL.

5. UR1 REMOTE(INCLUDED)

CONNECT THE UR1 REMOTE CONTROLLER TO CONTROL THE SUBWOOFER VOLUME FROM THE DRIVER SEAT LOCATION, FOR EASE OF ADJUSTMENT DURING PLAYING.

6. GAIN CONTROL

THE GAIN CONTROL WILL MATCH THE SUBWOOFER SENSITIVITY TO THE SOURCE UNITS SIGNAL VOLTAGE. THE OPERATING RANGE IS 9V TO 200mV. THIS IS NOT A VOLUME CONTROL!

7. LOW PASS FILTER CONTROL

THIS CONTROL IS USED TO SELECT THE DESIRED LOW PASS X-OVER FREQUENCY.

8. BASSBOOST LEVEL KNOB(MONO BLOCK)

THIS CONTROL ADJUST THE BOOST LEVEL OF THE BASSBOOST CENTER FREQUENCY. IT CAN BE ADJUSTED FROM 0 TO 12dB. COMBINING WITH BASSBOOST FREQUENCY, YOU CAN ACCURATELY MATCH THE SUBWOOFER PERFORMANCE TO WOOFER RESPONSE.

9. PHASE SWITCH

TO USE THIS SWITCH CAN SELECT THE PHASE(0° ~ 180°)

10. CLIP

THIS LED INDICATES WHEN CLIPPING IS PRESENT WHILE PLAYING SOURCE MATERIAL, IF THE CLIP LED IS FLASHING IT ALSO INDICATES CLIP LIMITER IS ENGAGING, AT THIS POINT IT IS SUGGESTED TO ADJUST THE SUBWOOFER GAIN LEVEL UNTIL THE CLIP LED IS ONLY FLASHING ON PEAK BASS NOTES, THE CLIP LIMITER CAN BE OVERDRIVEN RESULTING IN POSSIBLE DAMAGE TO YOUR SPEAKERS AND/OR THE SUBWOOFER.

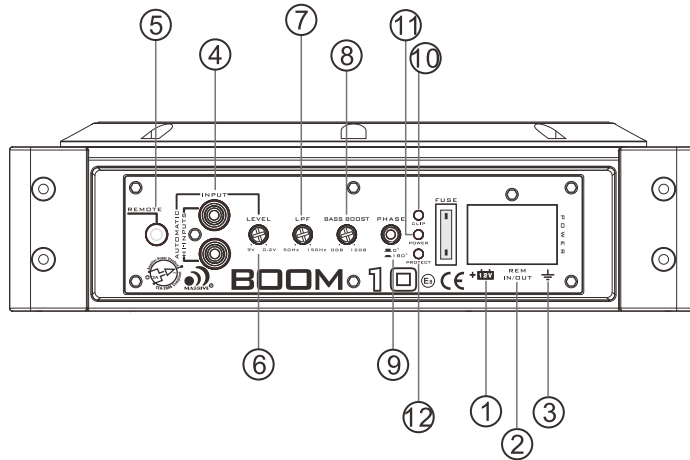
11. POWER INDICATOR

THIS LED WILL LIGHT UP WHEN SUBWOOFER WORKS PROPERLY.

12. PROTECTION INDICATOR

THIS RED LED WILL LIGHT UP AND WILL BE FLASHING IF THERE IS A FAULT PRESENTED TO THE SUBWOOFER. PLEASE DISCONNECT THE SUBWOOFER AND RESOLVE THE FAULT BEFORE RECONNECTING THE SUBWOOFER.

PANEL LAYOUT



TROUBLE SHOOTING

Symptom	Possible Remedy
Subwoofer will not power up	Check to make sure you have a good ground connection. Check that there is battery power on the (+)terminal . Check all fuses, replace if necessary . Make sure that the Protection LED is not illuminated.
Protection LED Comes on	Check for short circuits on speaker leads. Check that the speaker load is not beyond the minimum load. Remove speaker lead, and reset the subwoofer. If the protection LED still comes on, then the subwoofer is faulty and needs servicing .
No output	Check that the RCA audio cables are plugged into the proper inputs. Check all speakers wiring. Check the headunit output and the subwoofer level setting.
Low output	Reset the level Control. Check the Crossover Control settings.
High hiss in The speakers	Check the RCA cable is not shorted to power ground at subwoofer side. Check the subwoofer grounding.
Distorted sound	Check that the Input level control is set to match the signal level of the head unit. Always try to set the Input level as low as possible. Check that all crossover frequencies are properly set. Check for short circuits on the speaker leads
Subwoofer gets Very hot	Check that the minimum load impedance for the subwoofer model is correct. Check that there is good air circulation around the subwoofer. In some applications, It may be necessary to add an external cooling fan. Do not mount subwoofer upside down.

WARRANTY

- Massive Audio, Inc. warrants all manufactured subwoofer products to be free from defect in material and workmanship for a period not to exceed **ONE YEAR*** from the date of original purchase when installed by an authorized “Massive Audio” dealer. Units that are not installed by an authorized “Massive Audio” dealer maintain a warranty not to exceed 90 days from the original purchase date by the original purchaser.

Products that display abuse such as power deficiency, over driving the subwoofer or clipping the input require purchase of a new PCB for replacement.

“Massive Audio” obligations under this warranty are limited to repairing or replacing, at its own sole option, any such defective products. This warranty does not apply to equipment that has been damaged by accident, negligence, or misapplication or has been altered or modified in anyway. This warranty applies only to the original purchaser who must have properly registered the product within 30 days of purchase.

Except as provided herein, Massive Audio, Inc. makes no warranties or representations, express or implied, including any warranty implied by law, whether for merchantability or fitness for a particular purpose and shall be effective only for the period that this express warranty is effective. SEE THE WARRANTY REGISTRATION CARD TO ADDITIONAL INFORMATION.

*DUE TO CONSTANT IMPROVEMENT PRICES AND SPECS ARE SUBJECT TO CHANGE WITHOUT PRIOR NOTIFICATION.



Massive Audio Inc.
P.O. BOX 252004 LOS ANGELES, CA 90025 U.S.A.
www.massiveaudio.com

©2020 Massive Audio Inc.
Printed in the U.S.A.

V.050809