



# ALUMA Series Component Sets

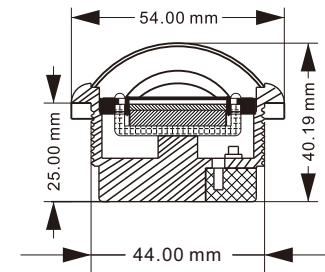
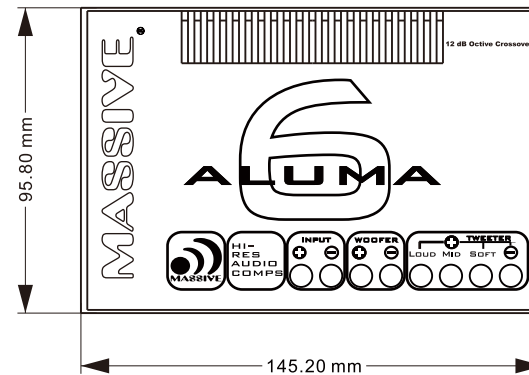
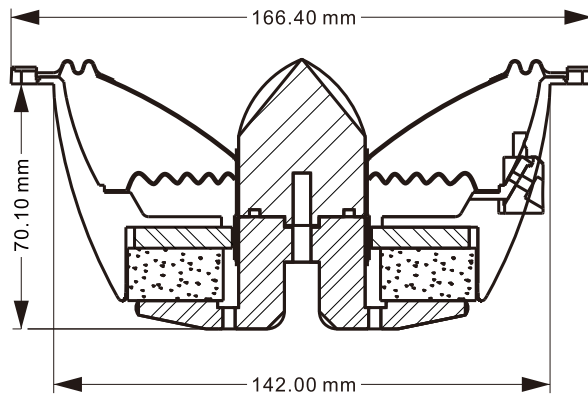
## ALUMA 6

### General Features:

- \*Custom Cast Aluminum Basket With Pearl Anodizing Finish
- \*High-Energy Y40 Magnets Assure Sufficient Magnet Force Needed For High Sensitivity And Accurate Sound Reproduction
- \*Two Pieces Custom Paintable Metal Grills
- \*Custom Aluminum Paper Composite Cone With Butyl Rubber Surround
- \*High Quality Nomex Spider
- \*1.5" High Temperature Aluminum Voice Coil
- \*25mm Silk Diaphragm Tweeter With Ferro Fluid Cooled V.C.
- \*Two Pieces Custom CNC Aluminum Tweeter Housing With Aluminum Trims
- \*Custom Competition Grade 12dB Crossover With MASSIVE Logo (Kit)

### Specifications:

Model	ALUMA 6
Woofers Size	6.5"
Tweeter Size	25mm
Frequency Range	50-20kHz
SPL@2.83V/1m	93dB
Watts RMS	300W
System Power	500W
Impedance	2 OHM
Frame Diameter	6.54"
Mounting Depth	2.72"
Mounting Diameter	5.59"



**1000**  
PEAK WATTS



P.O. Box 252004 LOS ANGELES, CA 90025 U.S.A.  
WWW.MASSIVEAUDIO.COM