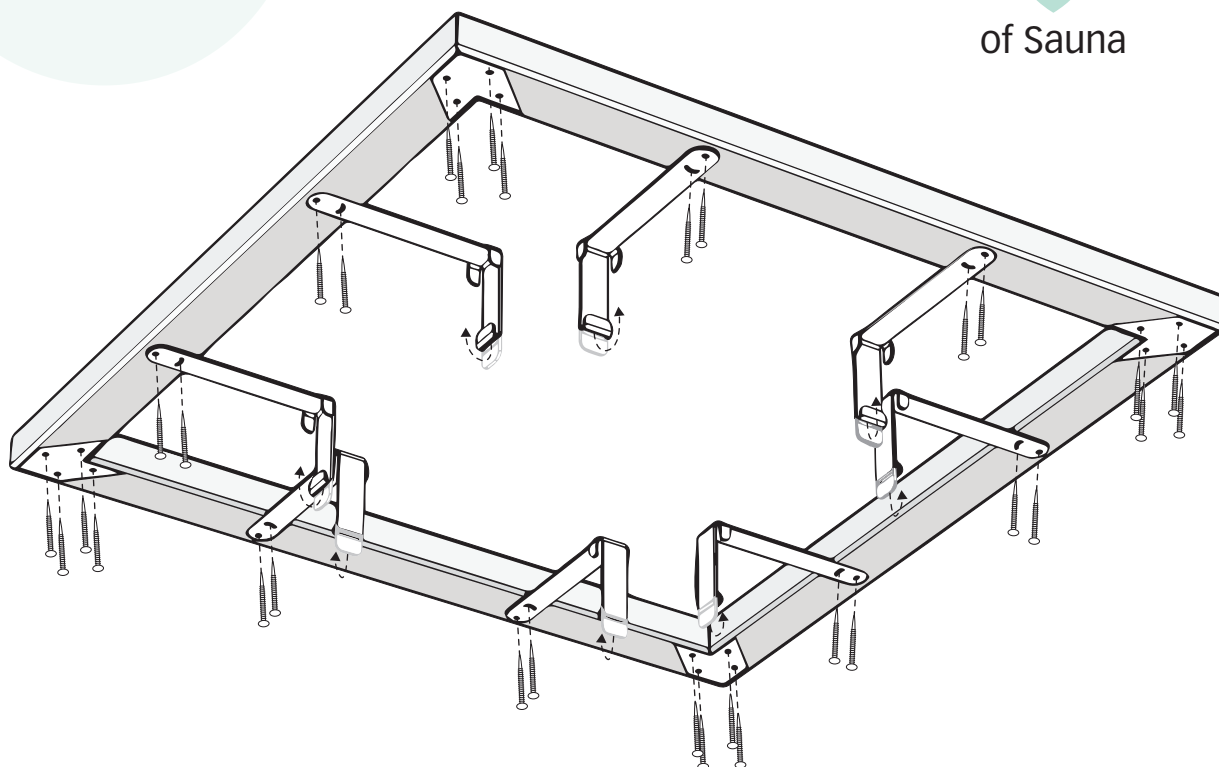




of Sauna



KAITSEPIIRE

- ◆ Kinnita kronsteinid kruvidega puidu külge, jättes sisemise kruvi pingutamata hilisemaks paigaldamiseks.
- ◆ Ühenda puitprofiilid piirdeks 4 nurga abil.
- ◆ Aseta kaitsepiire kerisele nii, et kerise välimine sein lukustuks kronsteini külgmiste painete vahele.
- ◆ Fikseeri piire kruvides kronsteini ja puidu vahel olevad pingutamata kruvid tihedalt kinni.
- ◆ Painuta (soovitavalt näpitsatega) kronsteini alumised otsad tihedalt ümber kerise seina, et fikseerida kronsteinide liikumine. Ongi valmis!

SAFETY RAILING

- ◆ Screw the supports to the wood profiles without tightening the inner screw (for better placement afterward).
- ◆ Create full railing by connecting wood profiles with 4 corner plates.
- ◆ Place the safety railing on the heater in a way that the heater's outer wall locks between the supports' side bends.
- ◆ Fix the untightened screws between the supports and wood profiles.
- ◆ Bend (using pliers) the lower ends of the supports tightly around the heater wall to fix the movement of the supports. Well done!



#huumsauna



www.huum.eu