

see what Delta can doSM

STEAM CONTROL AND HEAD

■ Transitional Square

STEAM CONTROL FEATURES:

- Preset time and programmable temperature
- Digital display of ambient and set temperature
- Icons for system status - heating and set time

STEAMHEAD STANDARD SPECIFICATIONS:

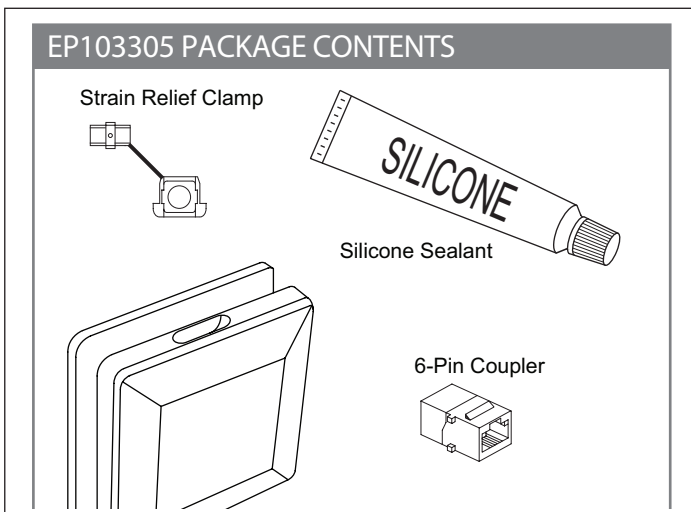
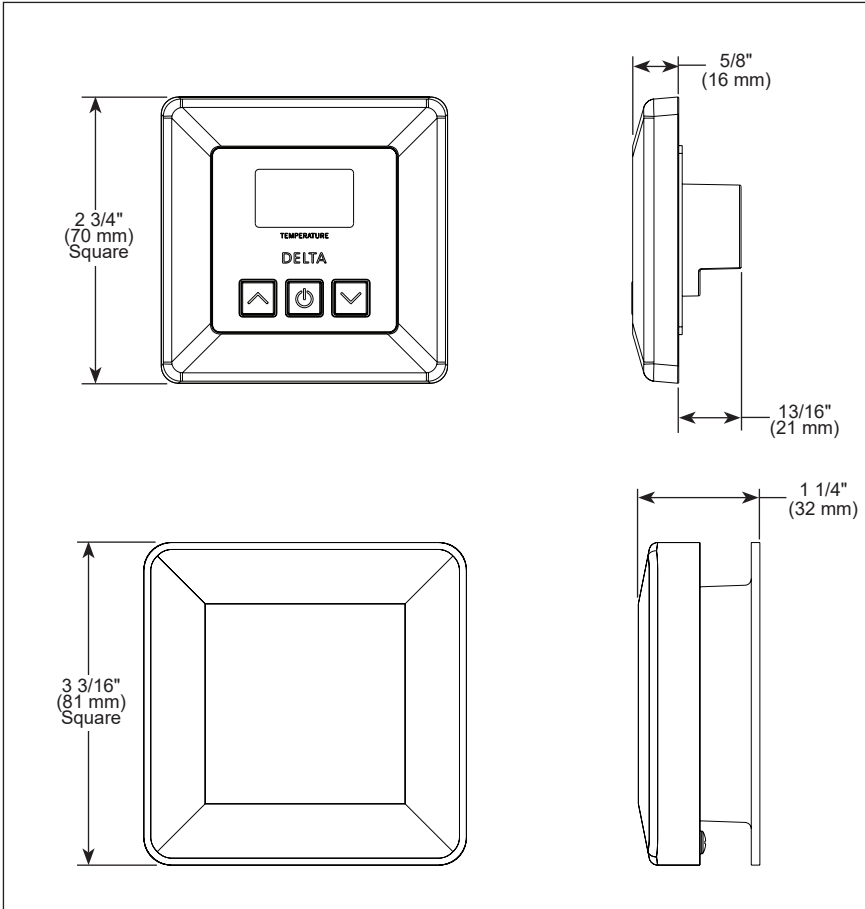
- Steamline - 3/4" Copper or Brass NPT male thread
- Steamline should protrude 1/4" to 1/2" from finished surface
- Steamhead to be mounted 12" - 18" above the finished floor or 6" above the rim of the tub and as far from the seating area as possible.
- Includes silicone cover
- Essential oil reserve on top of steam head

STEAM CONTROL STANDARD SPECIFICATIONS:

- Surface Mount - 1 1/2" hole required
- Must mount inside the steam room
- Mount control near seating area and not above Steamhead
- Control should be mounted 48" above the floor
- Required Electrical Service: Low-voltage connection from 5P-EST Series Generator via multi-conductor cable (supplied with generator)

WARRANTY

- See separate warranty document



▲ Designate Proper Finish Suffix

Delta reserves the right (1) to make changes in specifications and materials, and (2) to change or discontinue models, both without notice or obligation. Dimensions are for reference only. See current full-line price book or www.deltafaucet.com for finish options and product availability.

DSP-S-EP103350 Rev. A

Delta Faucet Company

55 E. 111th Street, Indianapolis, IN 46280
 350 South Edgeware Road, St. Thomas, ON N5P 4L1
 © 2023 Delta Faucet Company