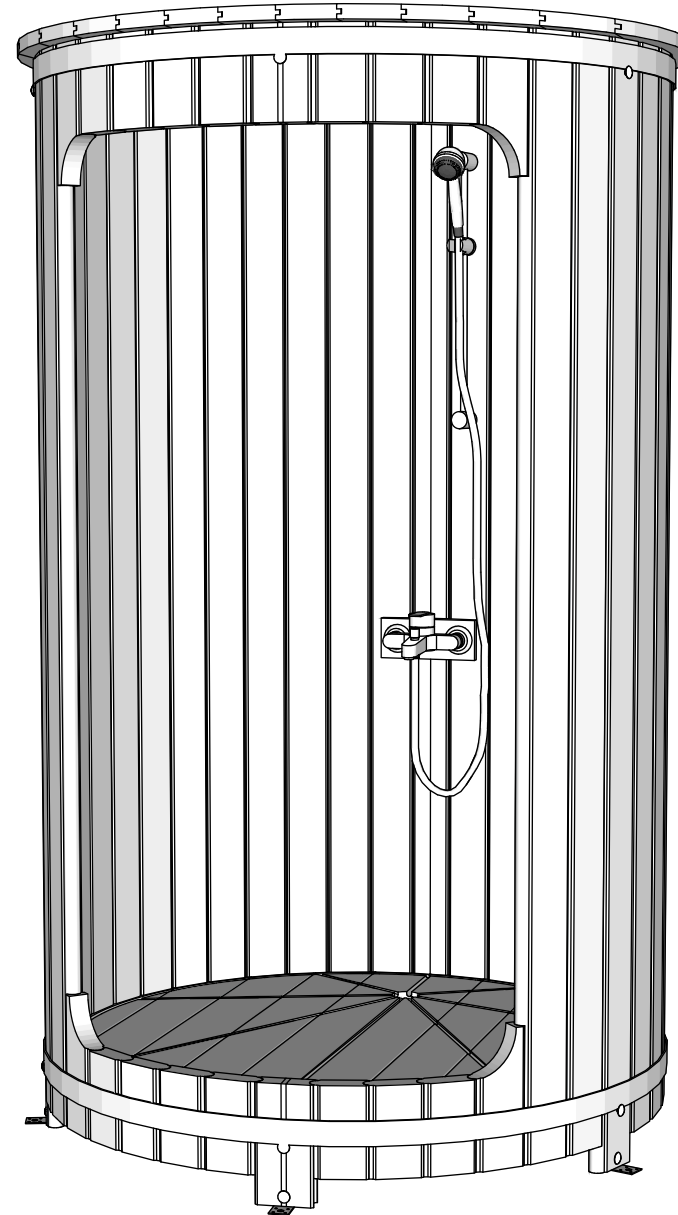


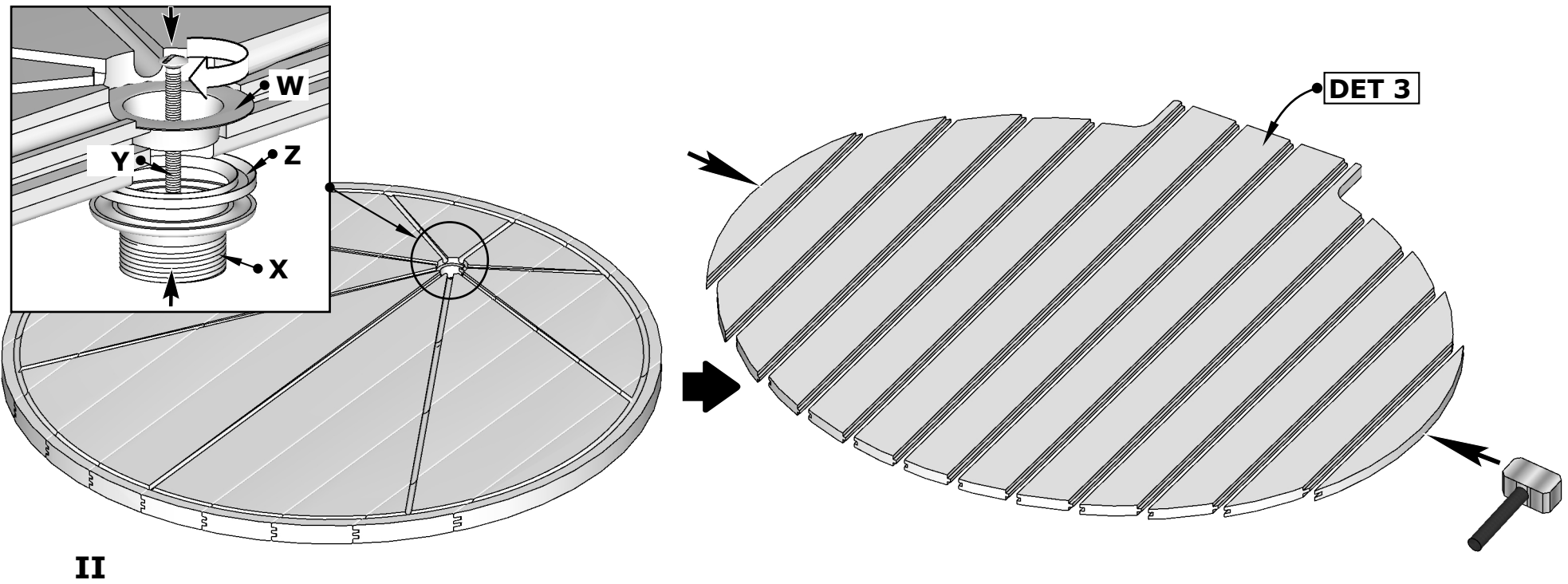
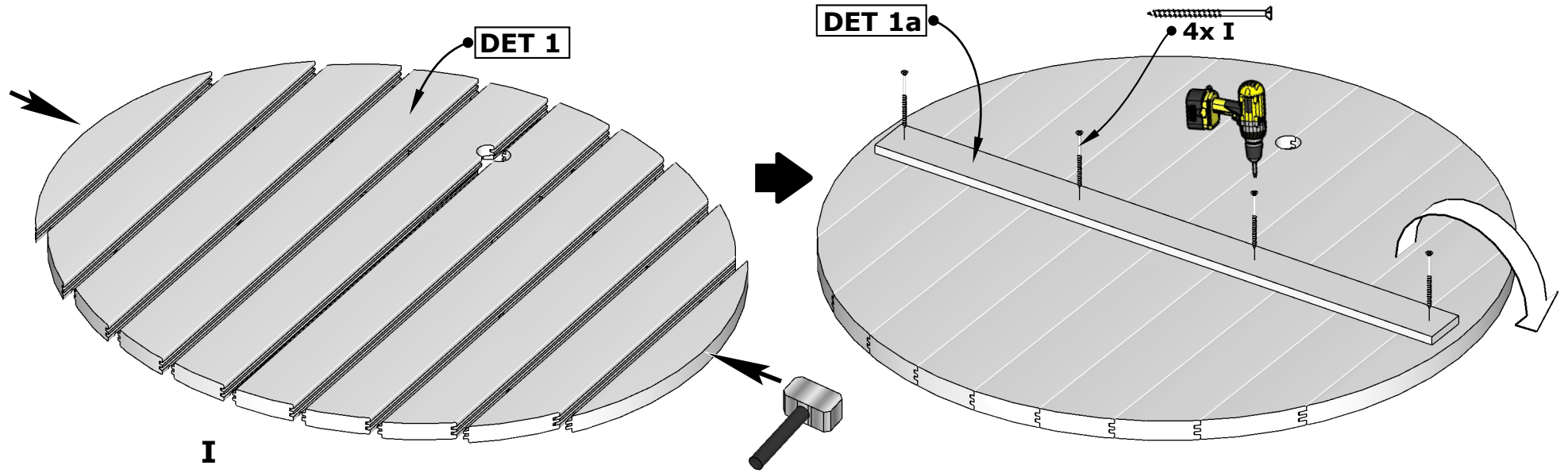


Rain-Series Model R3
Outdoor Barrel Shower

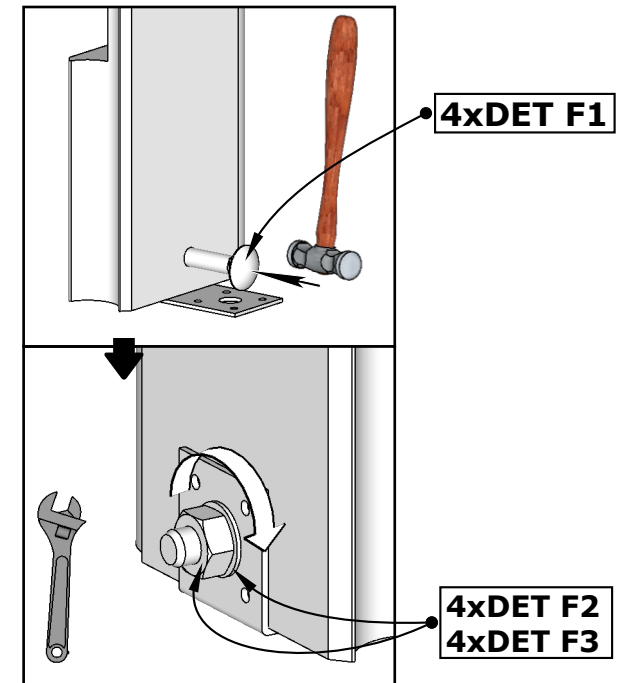
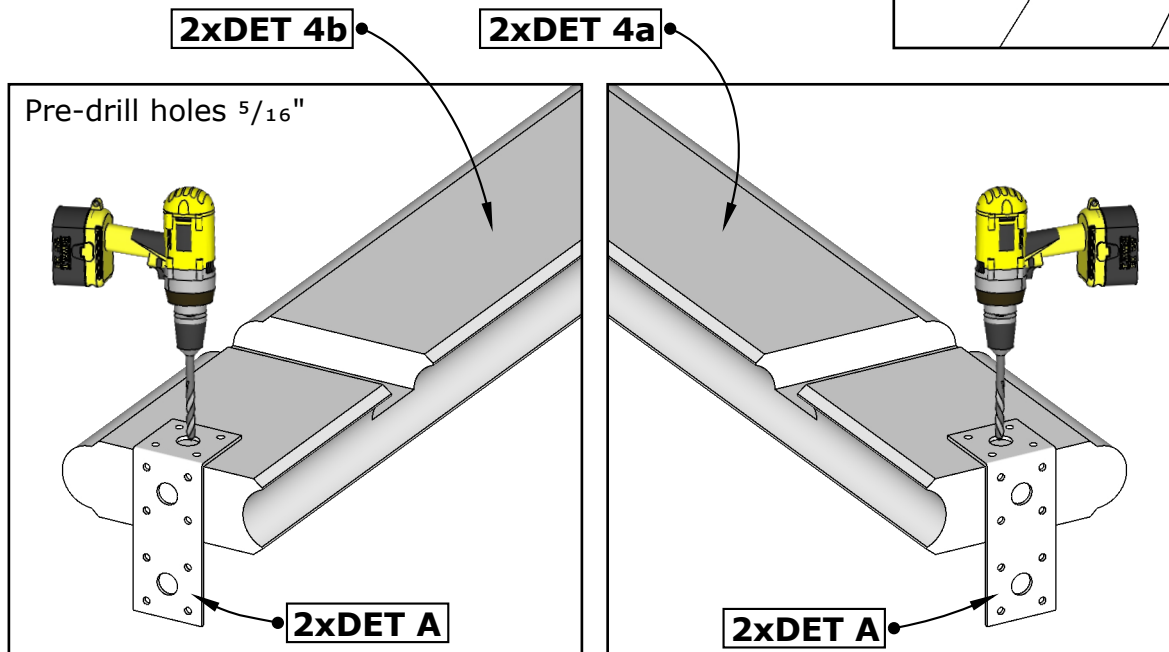
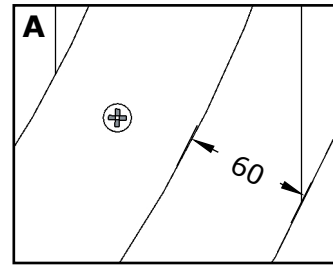
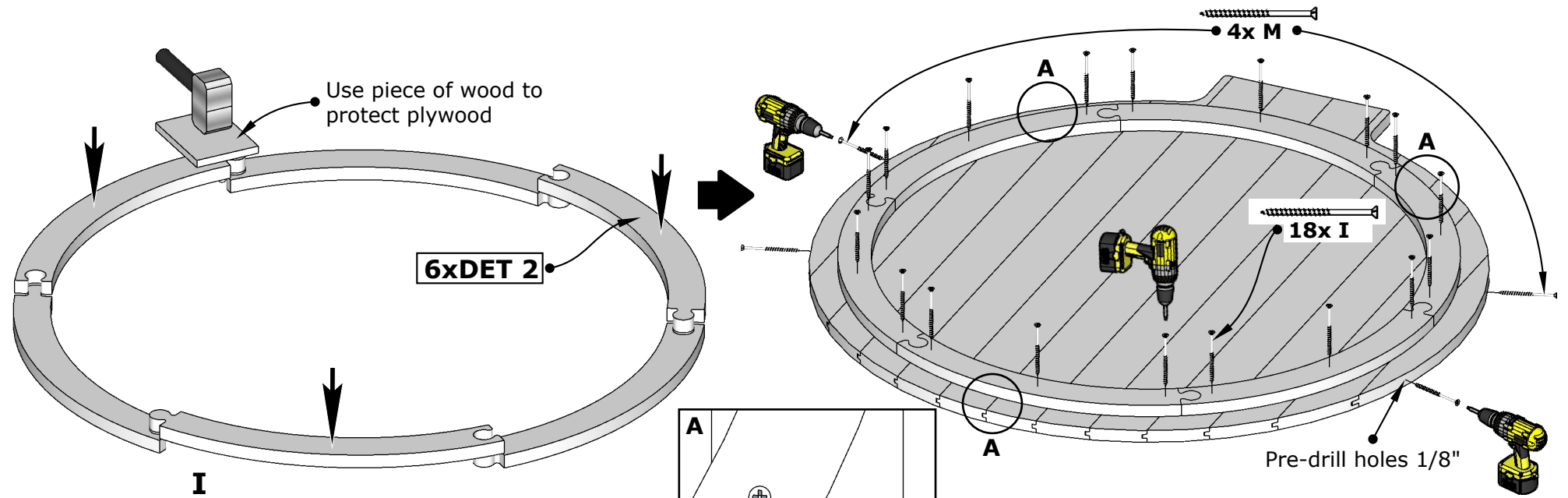


**IMPORTANT: Please read entire
manual before starting.**

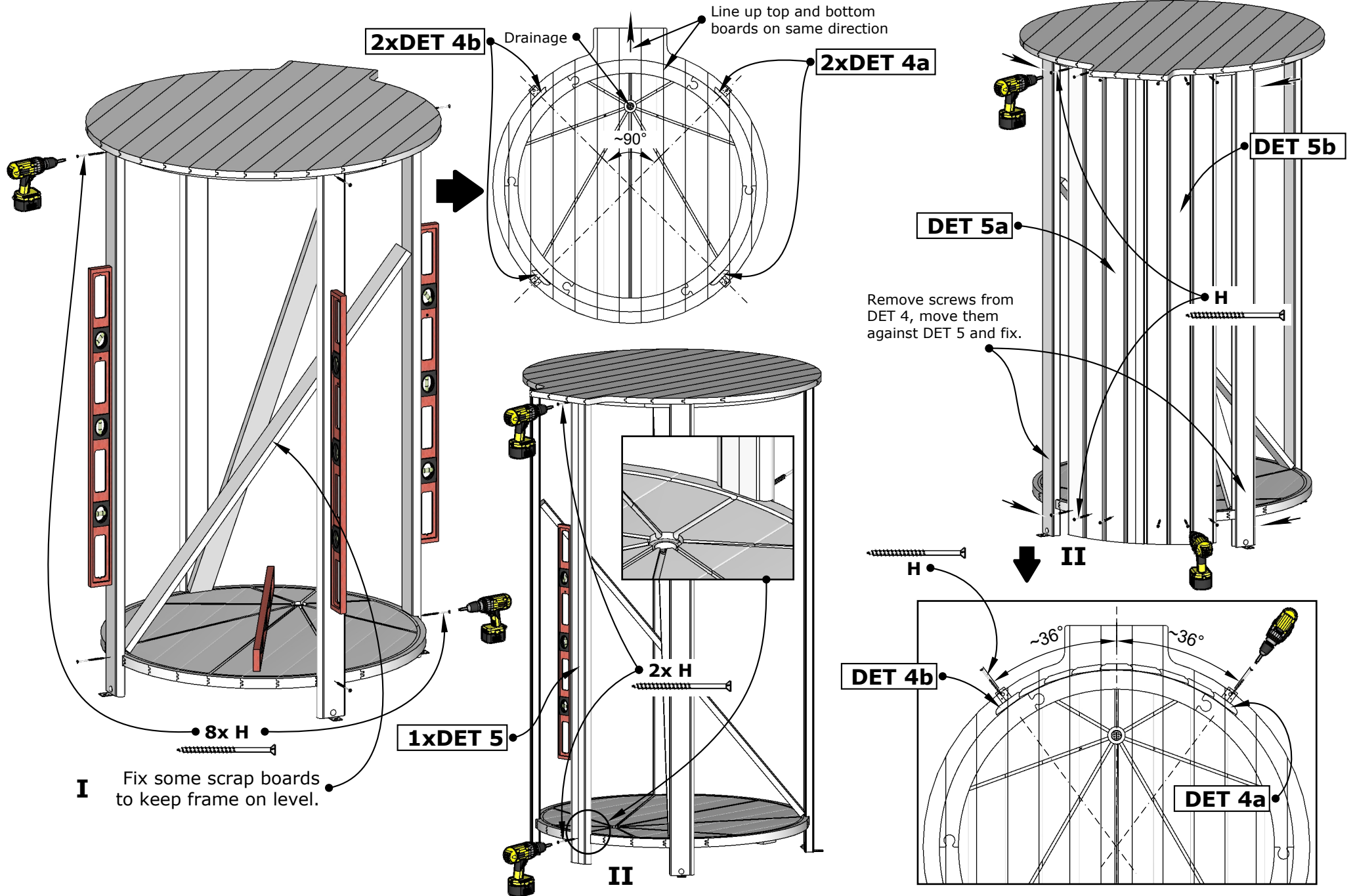
Model R3 Shower Barrel



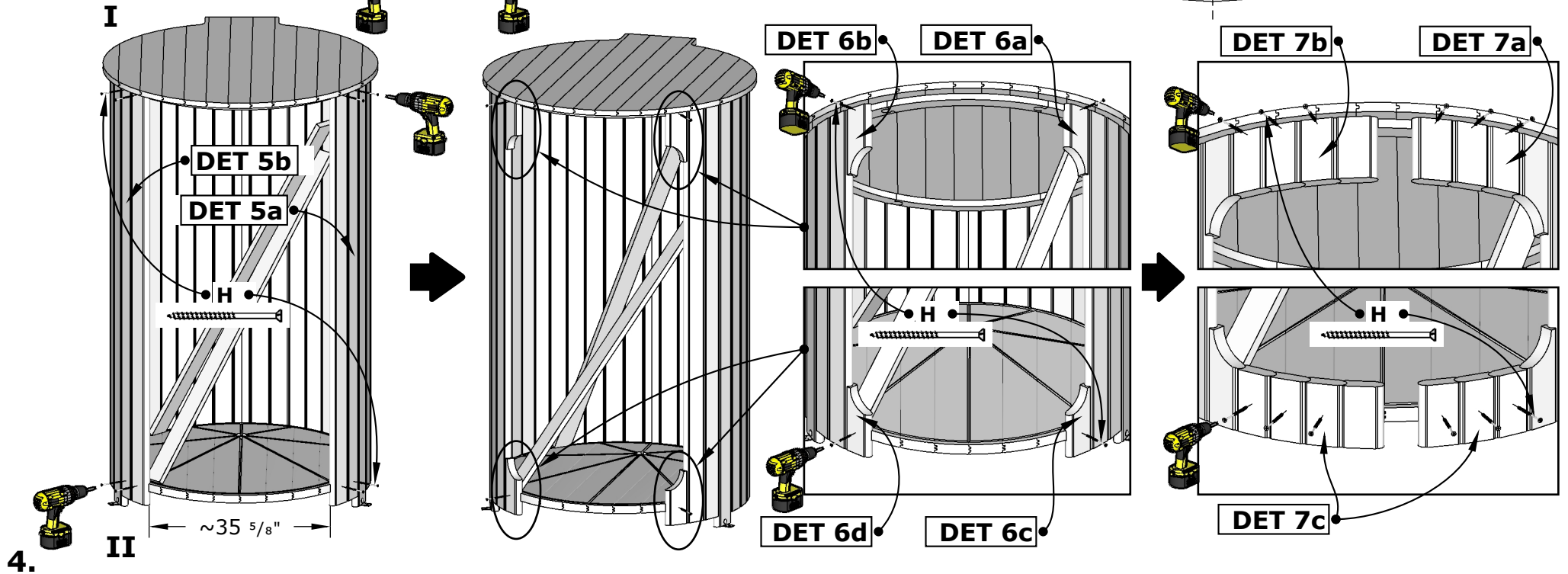
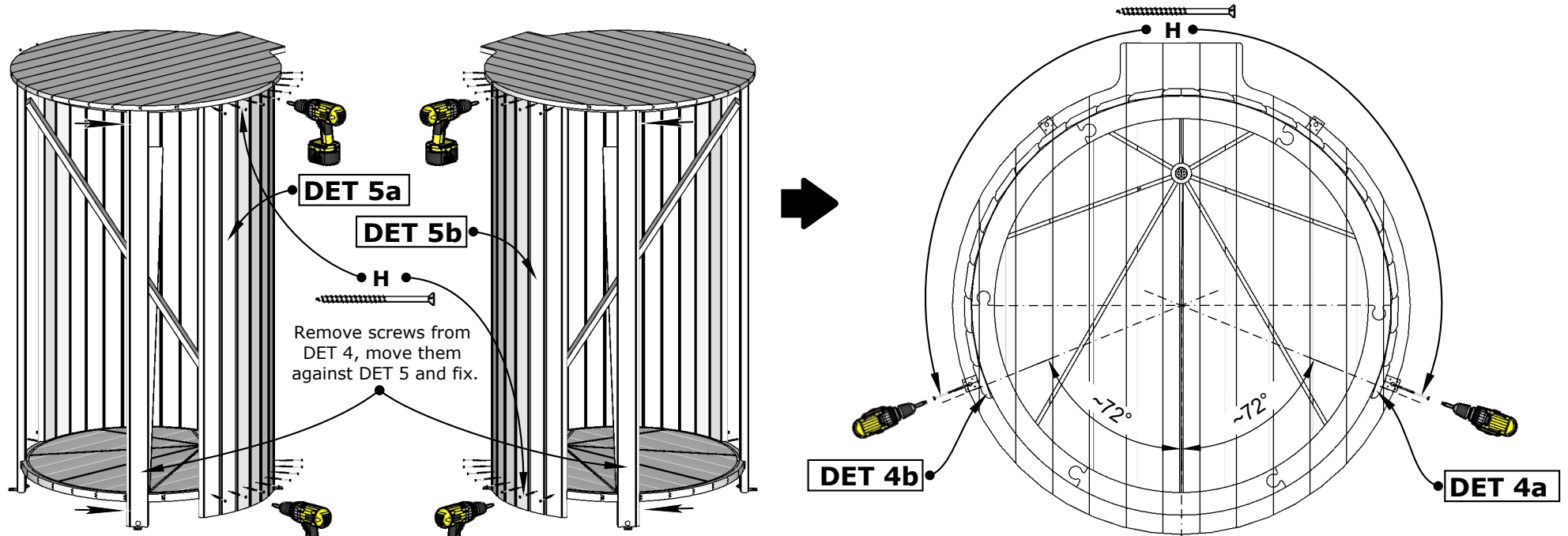
Model R3 Shower Barrel



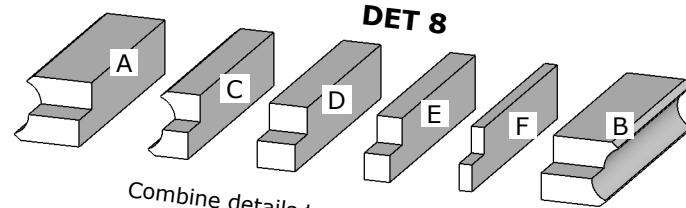
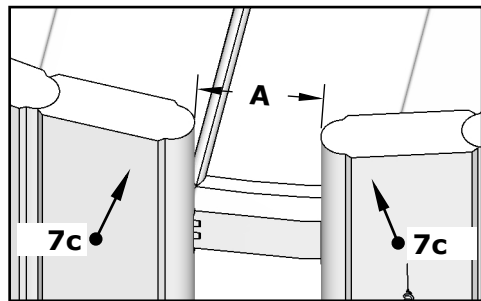
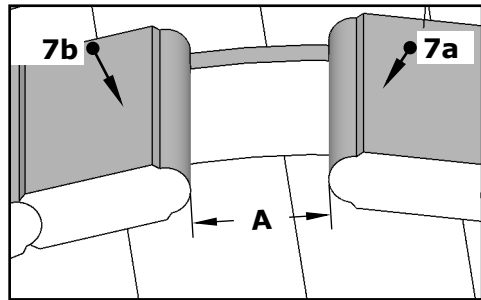
Model R3 Shower Barrel



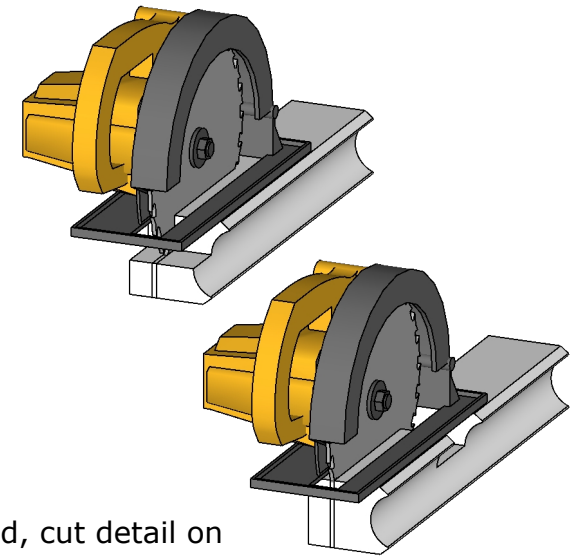
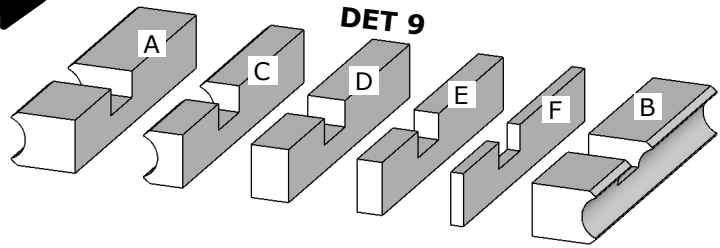
Model R3 Shower Barrel



Model R3 Shower Barrel

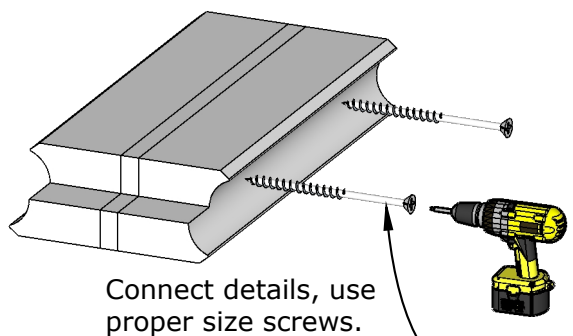


Combine details to get closest match to **A** value. It's recommended that combined details **A** value is slightly bigger than measurement.

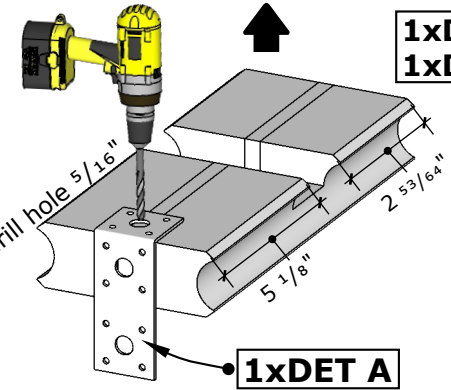
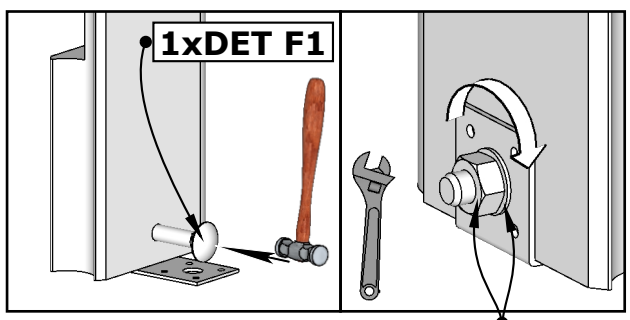


If needed, cut detail on right side.

I

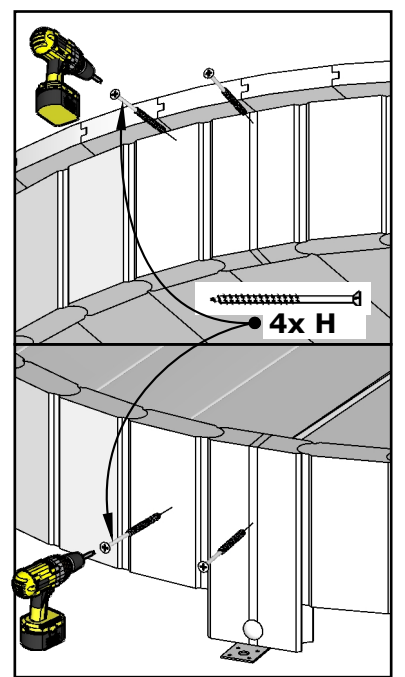
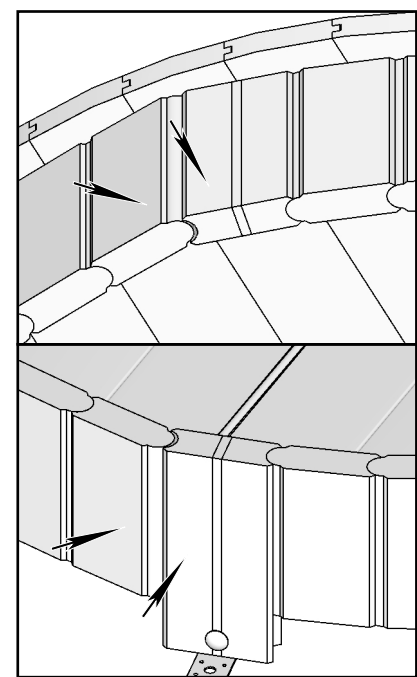


Connect details, use proper size screws.



Pre-drill hole 5/16"

1xDET A



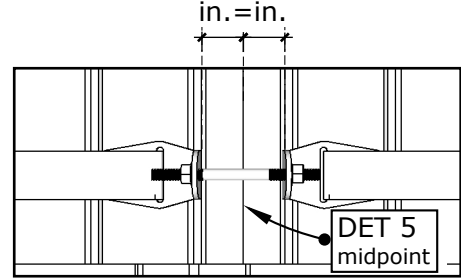
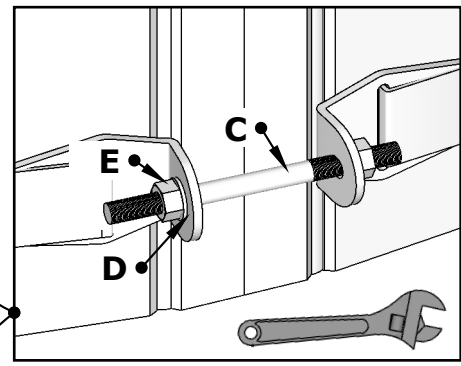
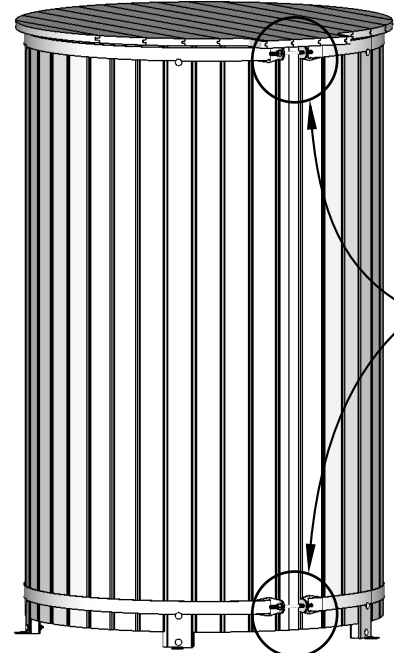
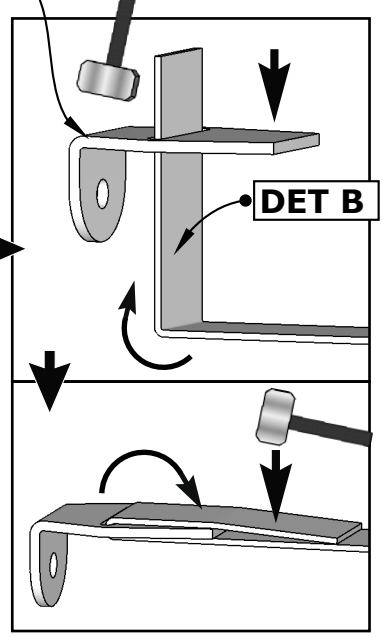
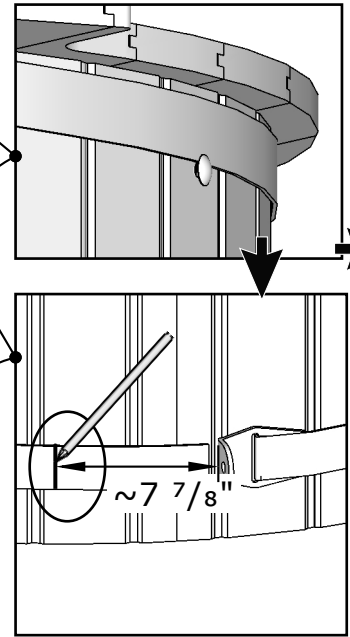
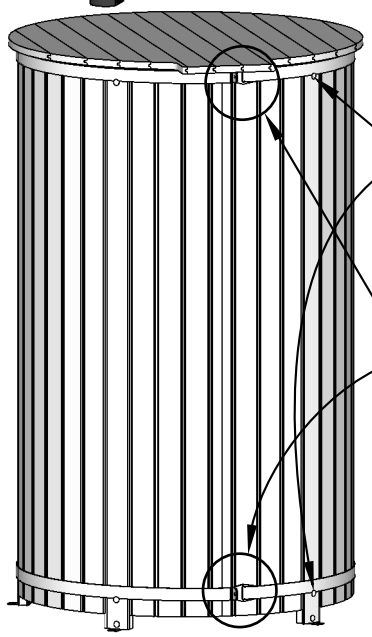
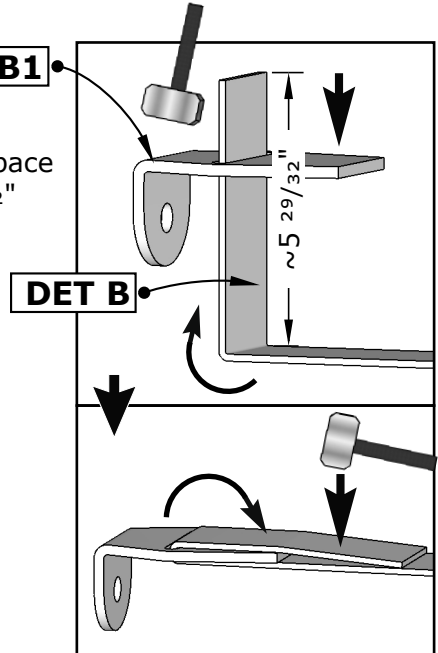
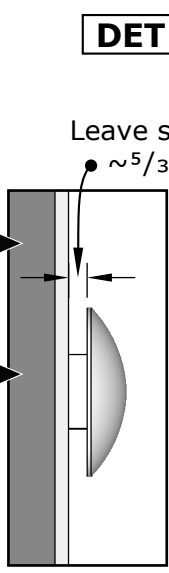
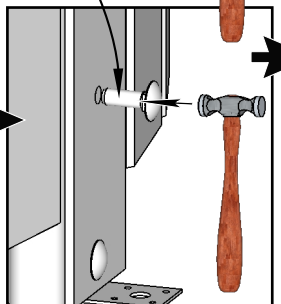
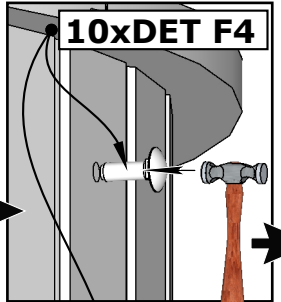
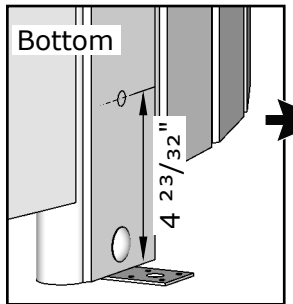
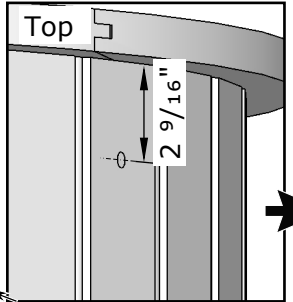
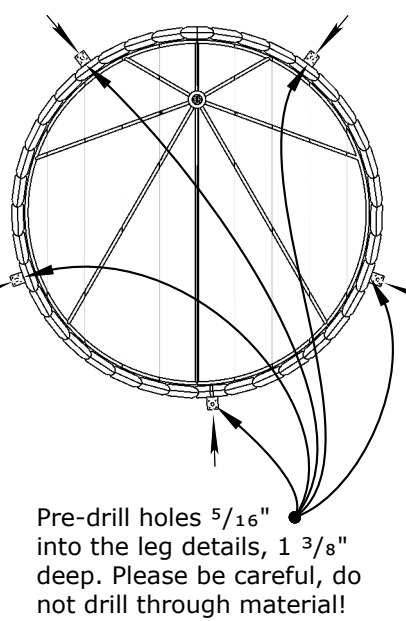
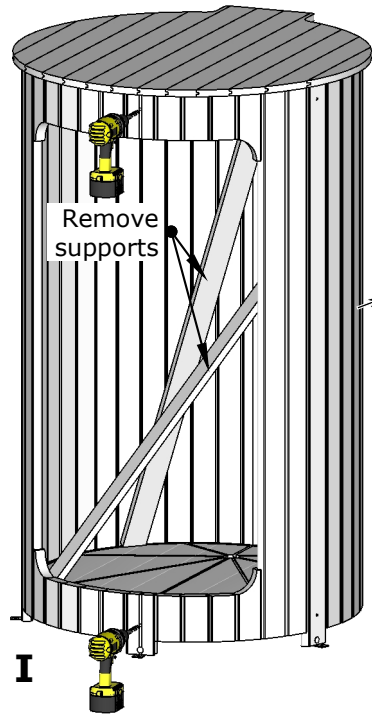
4x H

5.

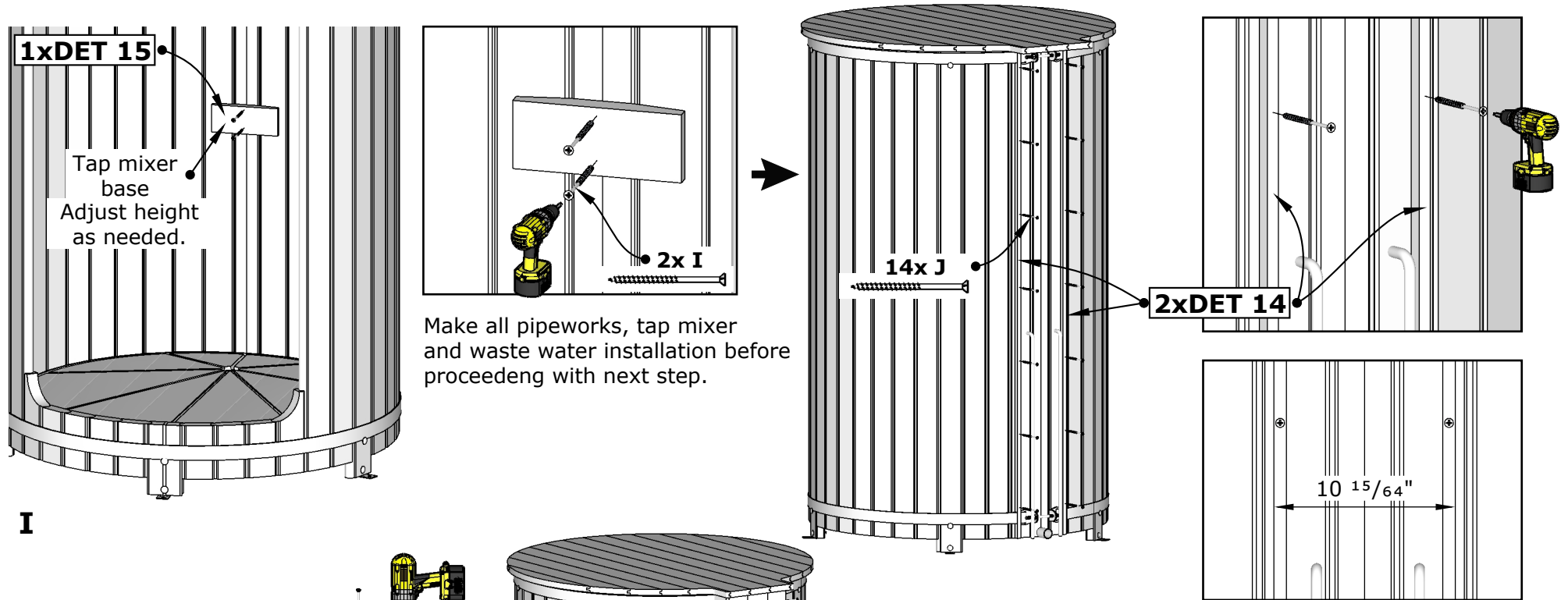
II

Pre-drill holes 5/32" before screws.

Model R3 Shower Barrel



Model R3 Shower Barrel



Make all pipework, tap mixer and waste water installation before proceeding with next step.

