

Installation Instructions

Introduction

WC-401B/W is a 15A wall receptacle with USB charging function. Charge most of your portable devices directly from the USB wall socket without using the wall receptacle. No adapter required. USB socket is suitable for charging most 5V/2A devices, iPod or iPhone.

Specifications:

Working Voltage: 15A, 125V~

Working Temperature: -15° to 40°C

USB Output: DC 2A, 5V

Testing Standard: UL 498, UL 514C, CSA No.42, CSA No.42.1, UL 60950

CAUTION

- Use 12-14AWG copper or copper clad wire only. Do not use it with aluminum wire.
- To prevent severe shock or electrocution always turn the power OFF at the service panel before working with wiring.
- Do not install in wet locations or in a location where the receptacle can get splashed with liquid.
- Indoor use only.
- Designed for recreational vehicle or marine usage only.

Wiring

Caution: To prevent severe shock or electrocution always turn the power OFF at the service panel before working with wiring.

Stripping the Insulation from the Wire:

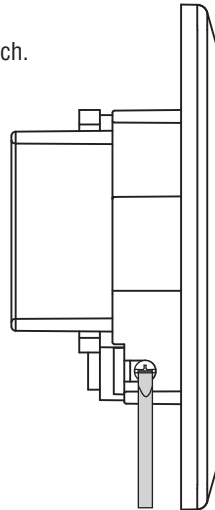
Strip the insulation from the wire about 0.4 inch.

Connecting the Black and White Wires:

1. Turn the power "OFF".
2. Loosen both side screws using a flat screw-driver.
3. Insert neutral and live wire into the opening marked with N and L.
4. Tighten both side screws using the flat screw driver.

Connecting the Green Wire:

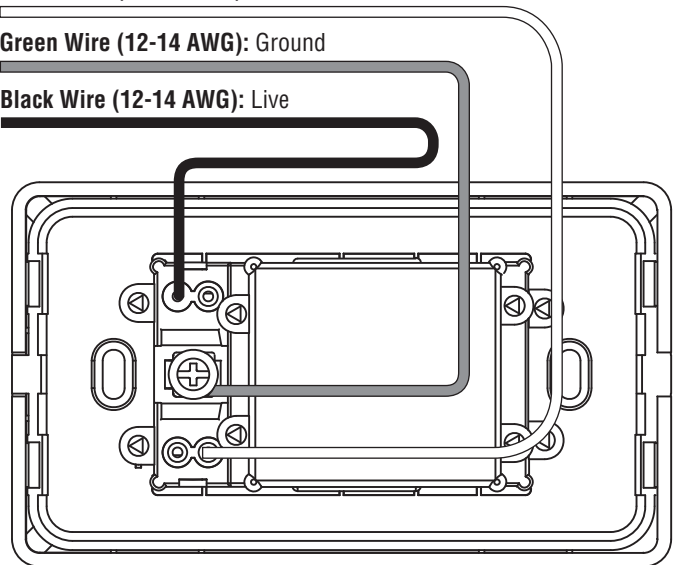
Loop the wire clockwise 2/3 of the way around the screw.



White Wire (12-14 AWG): Neutral

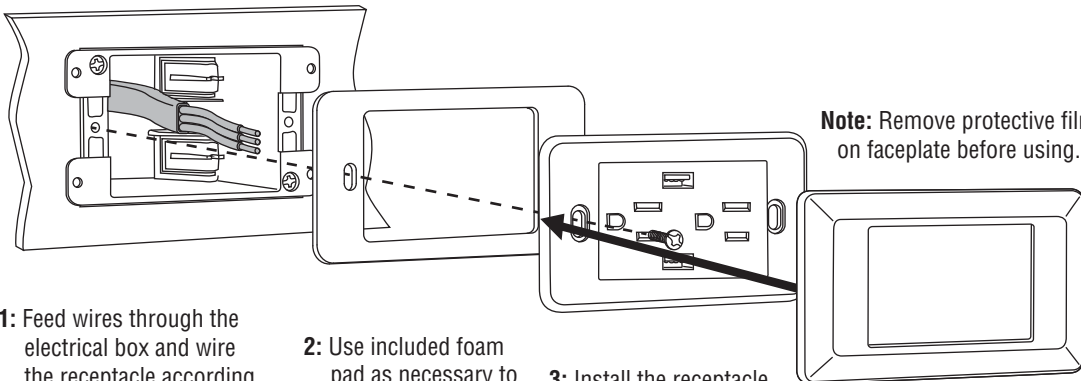
Green Wire (12-14 AWG): Ground

Black Wire (12-14 AWG): Live



Installation

Recommended installation instructions:



1: Feed wires through the electrical box and wire the receptacle according to the wiring instructions above.

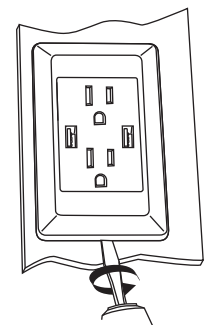
2: Use included foam pad as necessary to reduce the faceplate gap.

3: Install the receptacle using screws to mount it to the electrical box.

Note: Remove protective film on faceplate before using.

4: Snap on the faceplate. Turn the power ON and check to make sure the sockets work.

Removal instructions:



- 1:** Insert a flat blade screw driver in one of the slots at the bottom of the faceplate.
- 2:** Rotate the screw driver to release the faceplate from the receptacle.