

Installation and User Manual

The MV-VS2 is a mechanical video and audio switching device used to increase the number of inputs to the Mobile Video System providing greater system flexibility and ease of use. Follow the enclosed diagrams to make proper connections.

Installation

The MV-VS2 has 3-way mounting capability. It can be mounted under the dash or under a ledge, on the floor or on top of a ledge and it can also be panel mounted in a cabinet, console or wall.

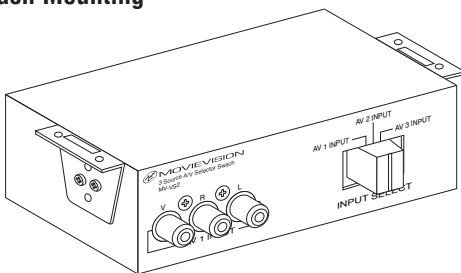
Installation Notes:

1. Choose a mounting location that provides easy access by the end user.
2. Choose a solid mounting surface that will withstand the pulling and pushing force when the end user is plugging in and disconnecting devices.
3. If panel mounting, follow the recommendations enclosed. The mounting surface must be able to withstand the pulling and pushing force associated with insertion and removal of the RCA connectors.

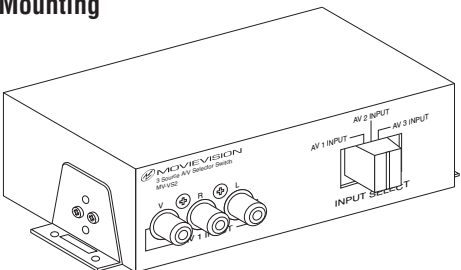
Surface Mounting:

Use the "L" brackets provided to secure the MV-VS2 into place. The brackets can be placed at the top of the MV-VS2 cabinet for under dash or under ledge mounting or at the bottom of the cabinet for floor or surface mounting. DO NOT mount the MV-VS2 on uneven surfaces which will cause the brackets or chassis to bend or flex excessively.

Under Dash Mounting



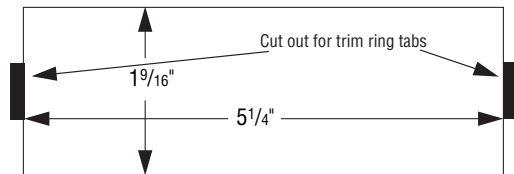
Surface Mounting



Panel Mounting:

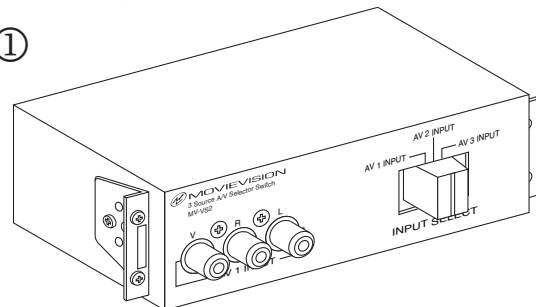
1. Attach the "L" brackets supplied to the side of the MV-VS2 housing using the screws provided.
2. Follow the template enclosed and cut the proper size hole in the mounting area.
3. Make all the necessary cable connections to the rear of the unit and then place the MV-VS2 into the mounting hole and secure it with self-tapping wood or metal screws (not supplied).
4. Place the surface mount trim ring over the front of the MV-VS2 make sure that the tabs on the trim ring enter the slots on the "L" brackets. Push the trim ring into position until it stops on the mounting surface.

Hole Opening

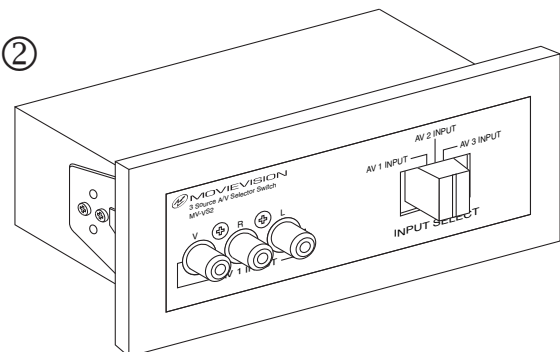


Panel Mounting

①

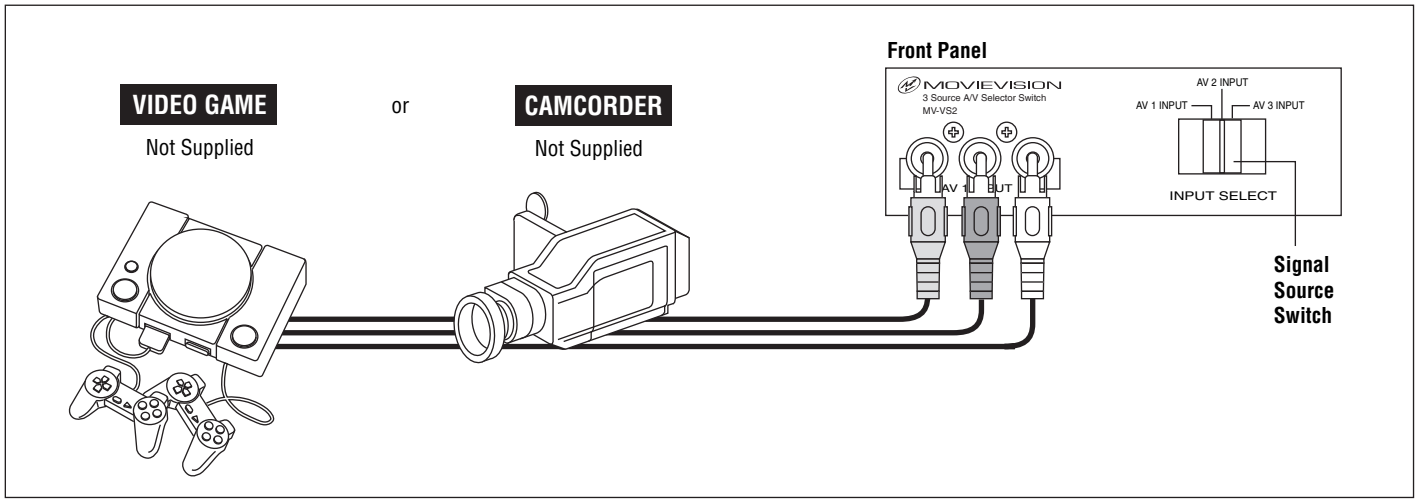


②



Connection and Operation

1. A 6 foot long RCA male patch cord is provided with the MV-VS2 to make the connection from the MV-VS2 output on the rear panel to the Mobile Video System Screen. Some installations may require a longer cable which can be purchased at a local electronics store.
2. Both "Rear Aux Inputs" of the MV-VS2 are typically reserved for permanent items that will not be removed from the vehicle such as a video game controller, VCD or second DVD.
3. The front panel connection is typically for non-permanent items that will be removed from the vehicle such as a video game controller or camcorder.
4. The 3 position switch on the front panel is used to select the signal source to the Mobile Video system.



Industry Standard Color Code:

Yellow . . . Video Signal
 Red = . . . Right Audio Signal
 White = . . Left Audio Signal

All the connectors on the MV-VS2 are female RCA type with industry standard color code indication. Any device to be connected to the MV-VS2 will require a 3 conductor Male-to-Male RCA jumper cable that will either be supplied with the device or can be purchased at a local electronics store.

