



INSTALLATION INSTRUCTIONS

LD-URL15E-AQC-CPD | WC-601B / WC-601W
Duplex USB Charger / Tamper Resistant Outlet

SPECIFICATION

Receptacle Rating	15/20AMP 125VAC
USB Port Rating	Type A & Type C USB port with 6.5 Amp 5VDC - 20VDC
USB Port with "quick charge" symbol represent this single USB port Achieve Quick-Charging function.	
Wire Terminals	#14 - #12 AWG
Operating Temperature	-4 to 140°F (-20 to 60°C)
USB Compatibility	USB 1.1/2.0/3.0 Devices, Including Apple products and Samsung products
Strip Length	0.5 inch (HOT and Blanc holes) 1 inch (screw terminal)

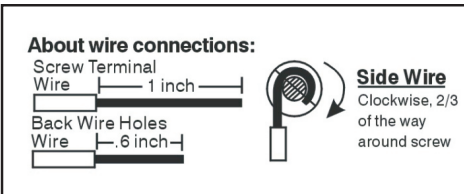
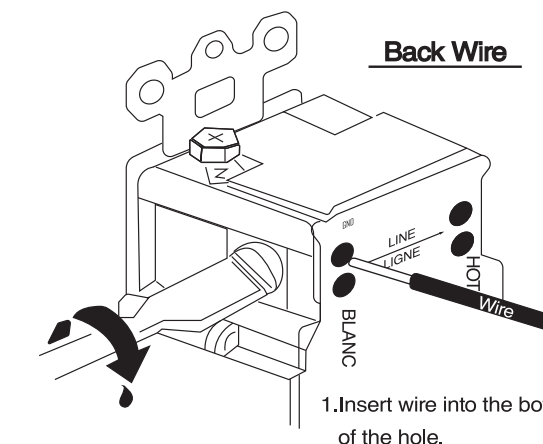
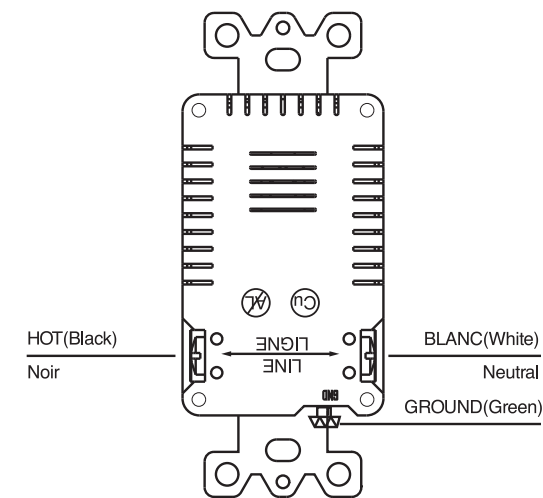
FEATURES

- ☑ USB Power Delivery: Revolutionary charging technology, USB C port with Power Delivery enables the fastest charging speed to greatly shorten charging time, and wide higher Voltage (5V, 9V, 12V, 15V, 20V) compatible with tablets, smart phones and more.
- ☑ Dual Type A & Type C USB ports are compatible with different USB devices, letting you safely fast charge USB-A and USB-C devices simultaneously.
- ☑ High speed charger, smart-intelligent identification chip, automatically adjusts to current non-quick charge devices like the iPhone, MacBook, Samsung & Android phone.
- ☑ Retardant USB interface, providing 5,000,000 times Connected Equipment Warranty.
- ☑ Easily charges phones, pads, kindles, etc without expensive adapters.
- ☑ Easy to install, no additional wiring required.

INSTALLATION

- WARNING TO AVOID FIRE, SHOCK OR DEATH, TURN OFF POWER AT CIRCUIT BREAKER OR FUSE AND TEST THAT THE POWER IS OFF BEFORE WIRING!**
 - This device is to be installed in a wall box measuring at least 3" x 2" x 2 1/2" (standard single gang electrical wall box) and wired in accordance with NEC article 314 box fill requirements.
 - Connect wires according to the following WIRING DIAGRAM:
Black/Hot lead to hot wire, White/Black lead to neutral wire, Green screw lead to ground wire.
- NOTE:** HOT and BLANC wire holes require #14 - #12AWG copper or copper clad wires.
- Tighten each screw with no conductors exposed. 9-12 pound inch (1.0-1.4N·m) of torque.
 - Put the outlet into the wall box carefully.
 - Secure the outlet to wall box with screws provided and add wallplate.
 - Restore power at circuit breaker or fuse. **Installation is complete.**

WIRING DIAGRAM

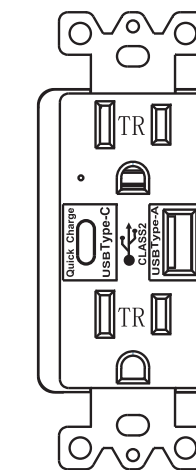
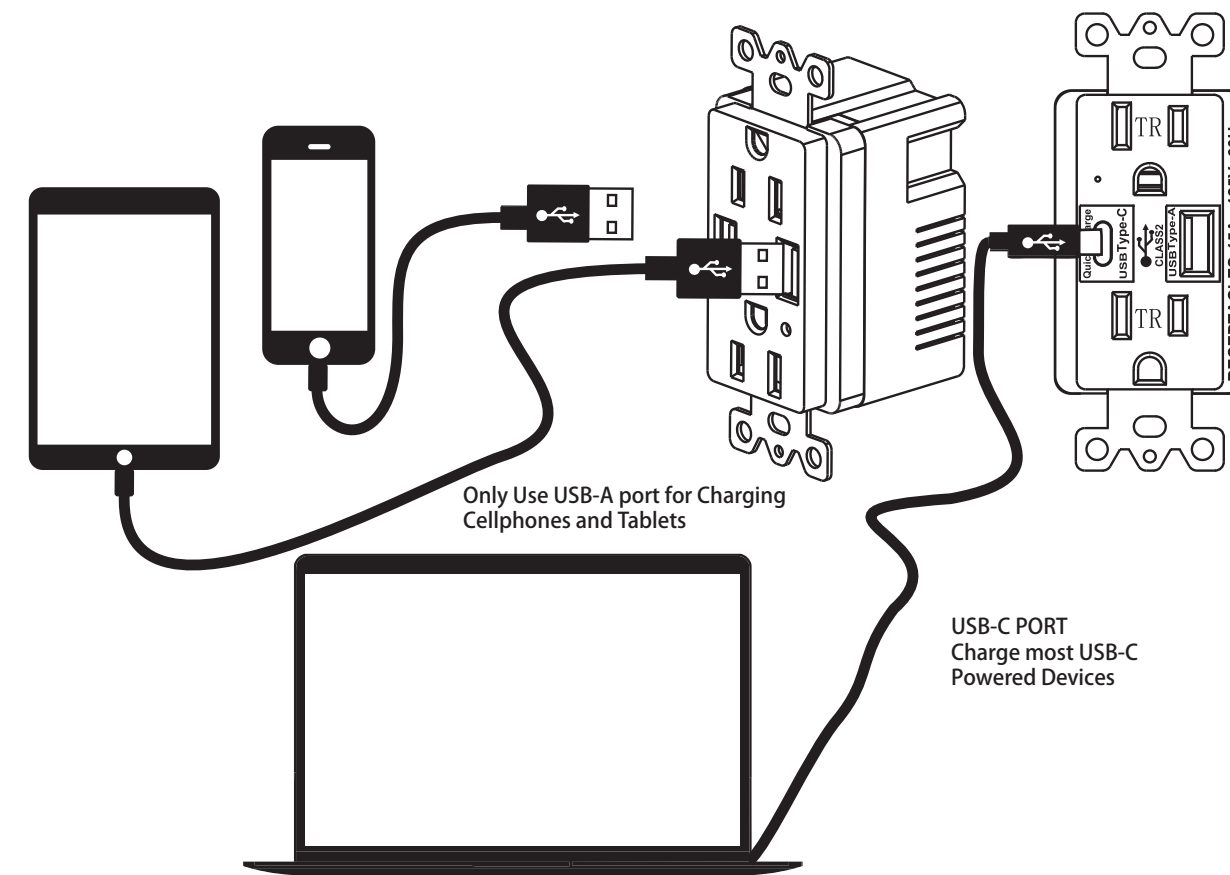


INSTALLATION INSTRUCTIONS

LD-URL15E-AQC-CPD | WC-601B / WC-601W
Duplex USB Charger / Tamper Resistant Outlet

*NOTES:

If the devices combined power requirements exceed the power capacity of the USB Ports, the charger will automatically shut down to protect your devices.



⚠ WARNINGS AND CAUTIONS:

TO AVOID FIRE, SHOCK, OR DEATH. TURN OFF THE POWER AT CIRCUIT BREAKER OR FUSE AND TEST THAT THE POWER IS OFF BEFORE WIRING!

- To be installed and/or used in accordance with appropriate electrical codes and regulations.
- If you are not sure about any part of these instructions, consult an electrician.
- This device CANNOT be used for separate feed applications. If the outlet you are replacing has the top and bottom outlets controlled by separate circuit breakers, you can not use this device.
- To be used with class 2 connectors with interconnecting cables.
- The Class 2 USB ports are not intended for use with appliances and supporting product.
- All connected Class 2 output cables must be routed away from the receptacle slots or any plug/cord inserted into the receptacle.
- Use this device with COPPER OR COPPER COATED WIRE ONLY.

HY00054 216*280MM