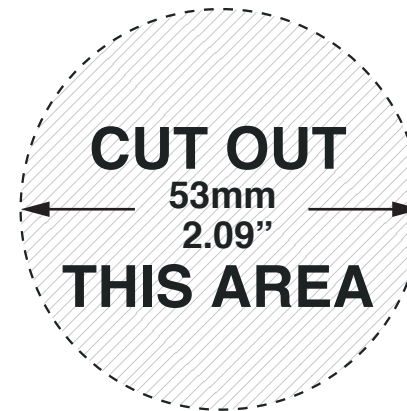
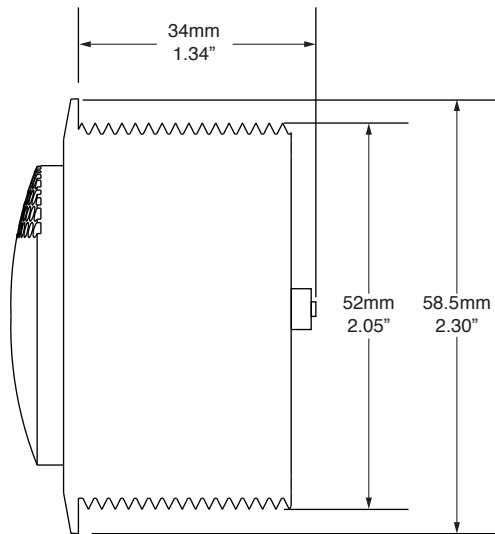


SPEAKER INSTALLATION

LS1B, LS1W



Model #	Grill Color	Hole Diameter	Speaker Depth
LS1B	Black	53mm / 2.09"	34mm / 1.34"
LS1W	White	53mm / 2.09"	34mm / 1.34"



The concepts, depictions and information in this document or drawing are CONFIDENTIAL and constitute intellectual property of Magnadyne Corporation. Any use thereof, and any copying or distribution of the contents, without the express written permission of Magnadyne Corporation is strictly prohibited. Use and distribution authorized under and pursuant to a written non-disclosure and/or confidentiality agreement in effect between Magnadyne and the recipient is permitted.

NOTE:

This is an 8.5" x 11" standard letter size document. This speaker hole template is shown here at 100% scale and should be printed out at actual size for mounting accuracy.