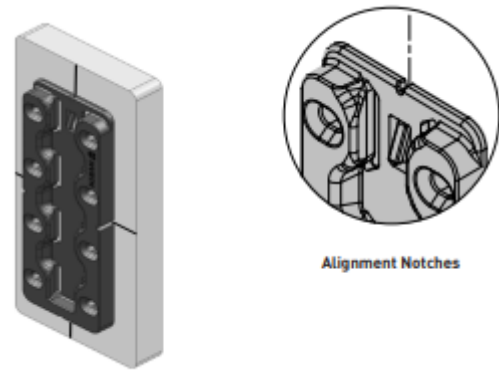


Installation Guide - Boucle Cloud and Crescent Wall Decor Pieces

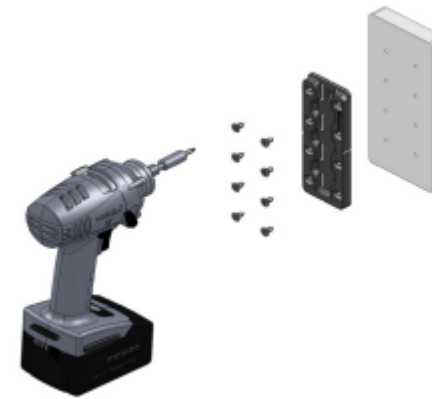
1. Choose your desired location for the Décor Piece.
2. Utilize the provided paper template by affixing it to the chosen location with tape. Ensure the template is aligned using a small level along the vertical or horizontal line of the bracket outline to guarantee it is level/plumb.



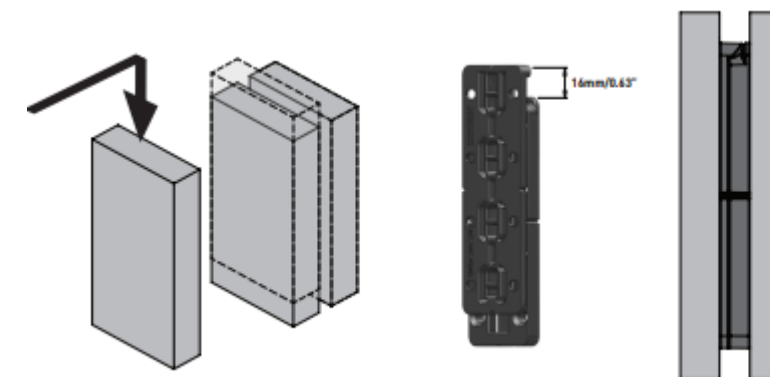
3. For Hollow Wall/Masonry Wall applications, employ a suitable 6mm drill bit based on your wall substrate. Drill through the wall using the 8 holes within the bracket outline as a guide. Ensure the hole depth accommodates the wall plugs to sit flush with the wall substrate. If mounting directly into timber/steel framing, no drilling is necessary, or a pilot hole can be used to guide the screws.

4. Gently tap the provided wall plugs into the drilled holes with a hammer, ensuring they are flush with the wall substrate.

5. Once all 8 plugs are securely in place, align the loose Striplox bracket with the plugs. Use the supplied screws to fasten them into the wall plugs until tight, ensuring the bracket remains level/plumb. For detailed instructions on correct wall plug installation, refer to our installation video on our website: [Installation Video](#)



6. With the Striplox bracket firmly secured, position your Décor piece by sliding it down for the crescent or to the right for the cloud, locking the piece in place within the designated slots. ***Kindly note that our brackets have a vaseline coating within the grooves, facilitating smooth insertion and removal of the brackets, as they are designed for heavy-duty usage***



7. You opted for our beautiful LED version? Effortlessly plug it into a standard General Purpose Outlet (GPO). Scan the QR code on the controller to download the smart app controller or download the BanlanX app directly from Google Play or the Apple store. Alternatively, use the provided remote to activate and enjoy the LED lighting feature.



Image: LED Smart Controller