

## TIRE RACK - Installation Instructions

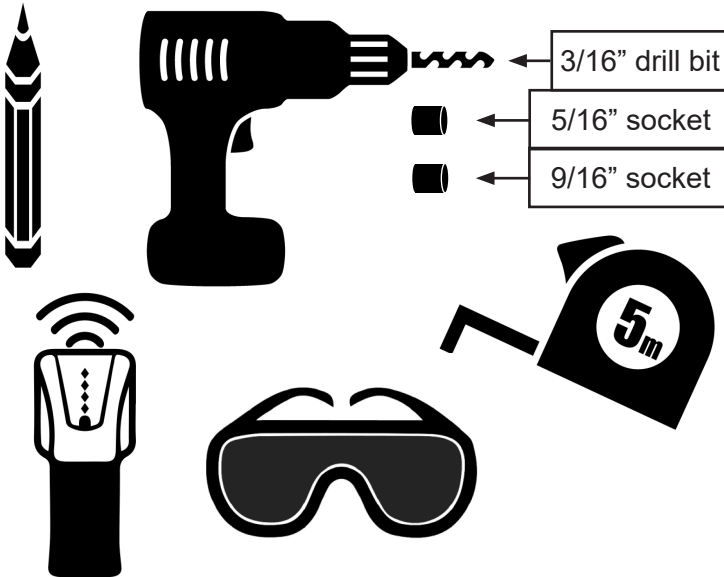


1-877-655-3443 (English, Español)  
7:00 am - 5:00 pm  
Monday - Friday, Pacific Time, North America  
support@saferacks.com  
www.saferacks.com

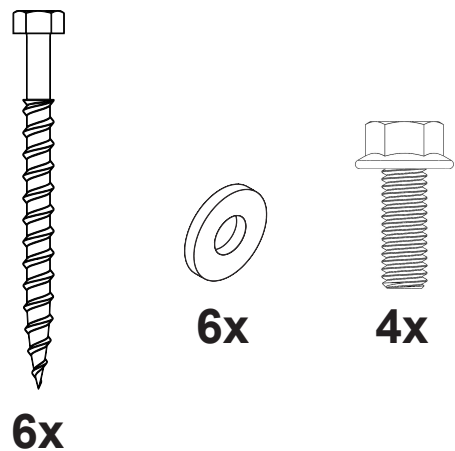
### WARNINGS

- 400 lb capacity
- Install into Wood Studs ONLY
- Distribute weight evenly

#### Tools Required (Not Included)



#### Hardware Required (Included)



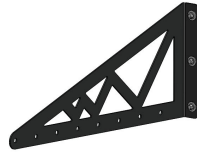
**Components Required (Included)**



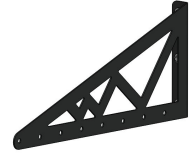
Adjustable Rods



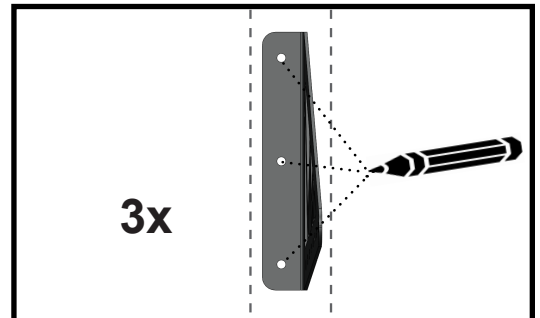
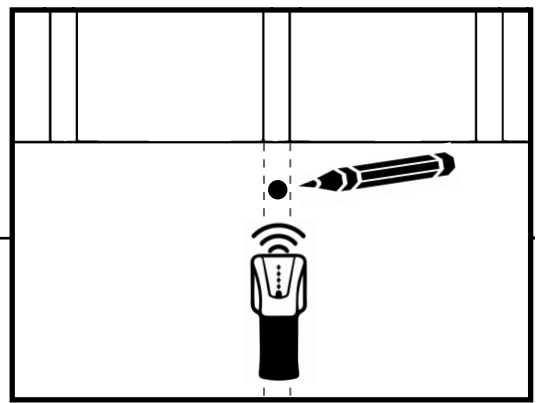
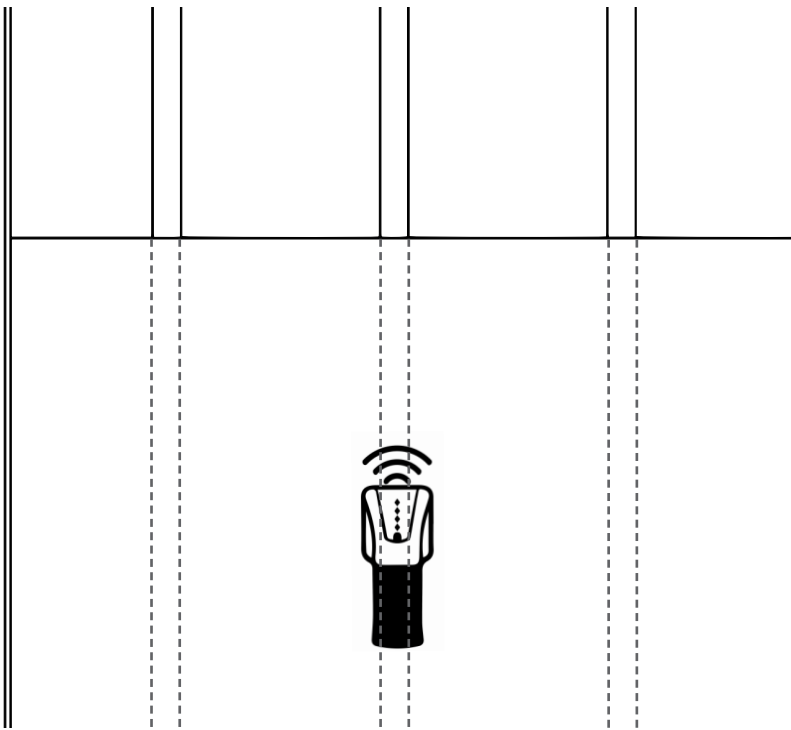
Left Bracket



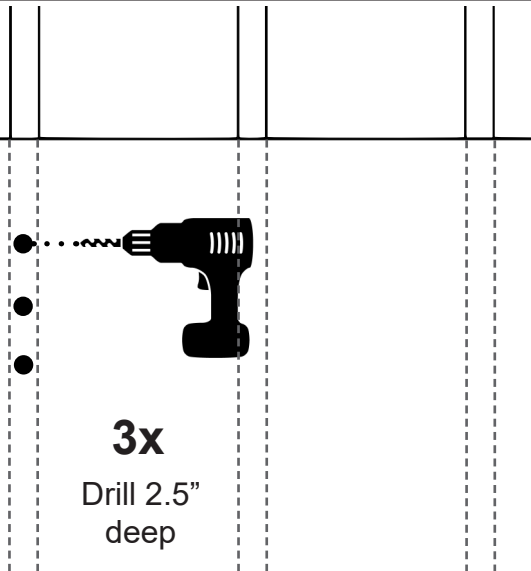
Right Bracket



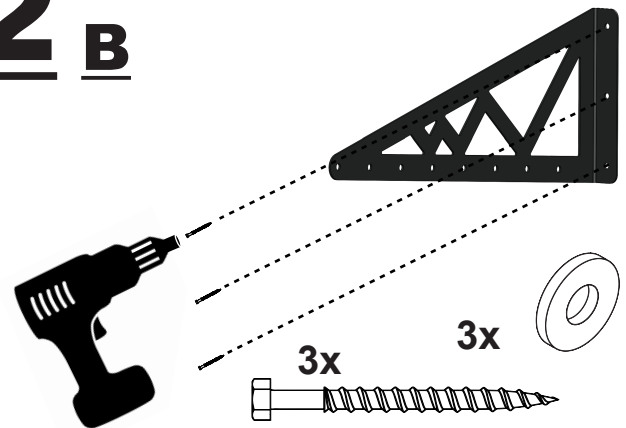
**1**



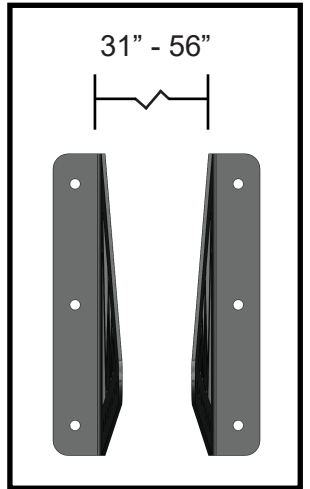
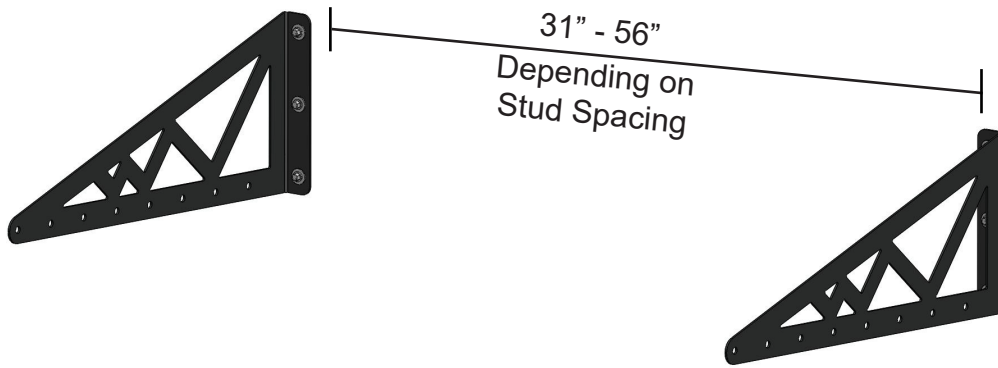
**2 A**



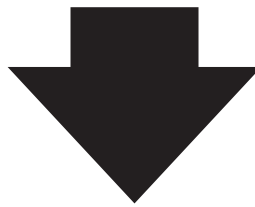
**2 B**



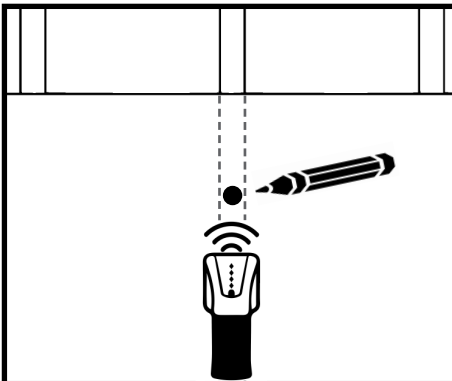
# 3



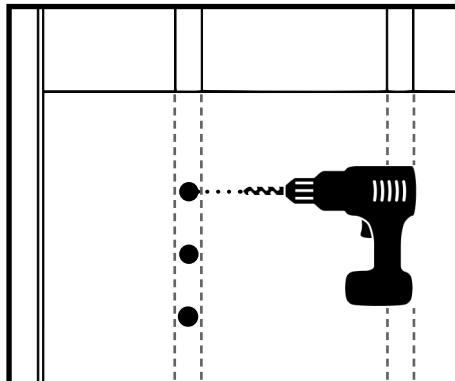
Repeat Steps 1-2B



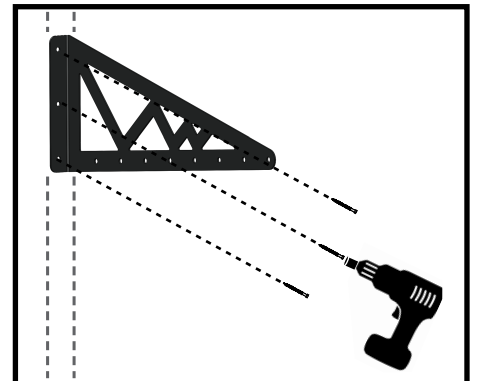
1x



1x

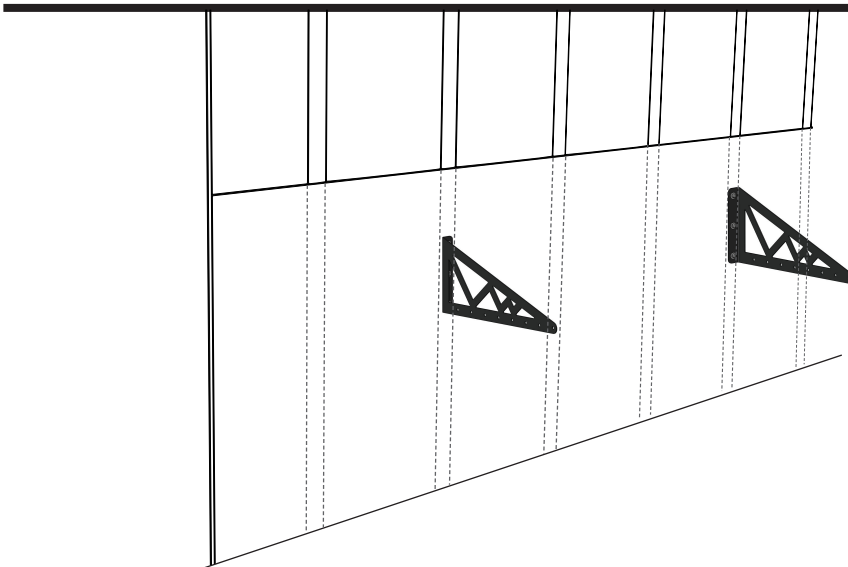


1x



@  
3x

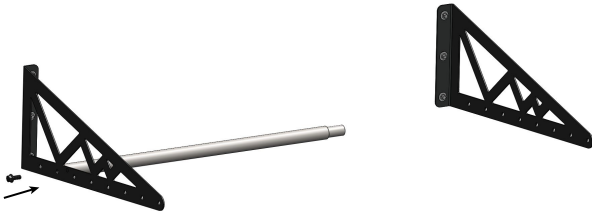
3x



Ensure that the brackets are properly mounted in the studs before attaching the adjustable rods.

# 4

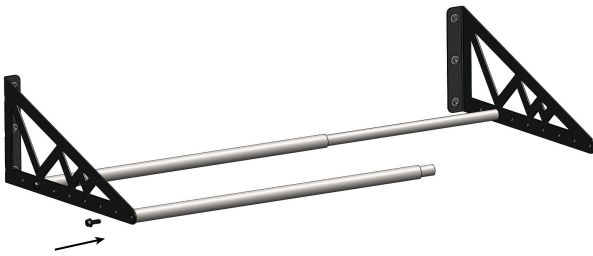
1



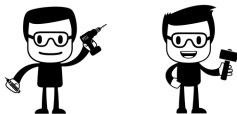
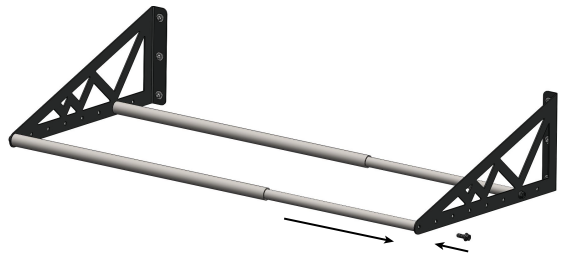
2



3



4



## WARRANTY

Limited Lifetime Warranty - U.S. Only  
[www.SafeRacks.com/warranty.php](http://www.SafeRacks.com/warranty.php)  
P: 877-655-3443

## **WARNING:**

This product can expose you to chemicals including lead, which is known to the State of California to cause cancer and birth defects or other reproductive harm, go to [www.P65Warnings.ca.gov](http://www.P65Warnings.ca.gov).

U.S. Patents:  
D716,581 / D697,785 / D553,401  
7,152,535 / 7,357,262 / D756,145

© 2015-2018 Copyright  
Eagle Industrial Group Inc.