

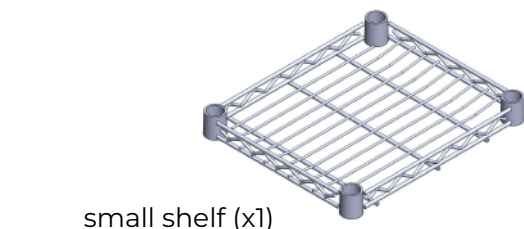
**SR-STDGOLF**  
SafeRacks Standard Golf Rack



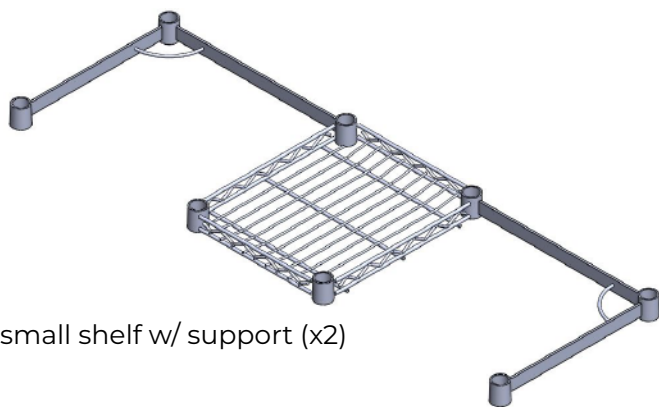
 **WARNING:**

This product can expose you to chemicals including lead, which is known to the State of California to cause cancer and birth defects or other reproductive harm. For more information, go to [www.P65Warnings.ca.gov](http://www.P65Warnings.ca.gov).

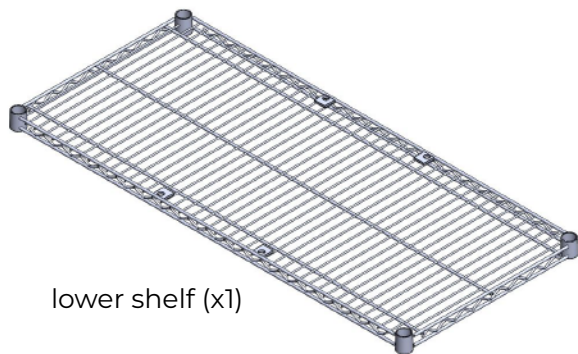
## Components:



small shelf (x1)



small shelf w/ support (x2)



lower shelf (x1)



plastic sleeves  
(25 pairs)



bottle opener (x1)



outer curved post (x2)  
(no plastic cap)



inner curved post (x2)  
(with plastic cap)



outer straight post (x2)  
(no plastic cap)



inner straight post (x2)  
(with plastic cap)



post screws (x4)  
hex key (x1)



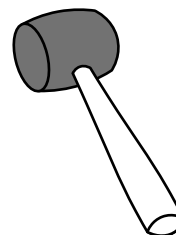
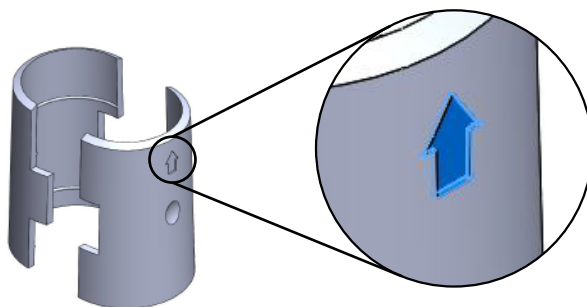
adjustable feet (x4)



3" casters (x4)

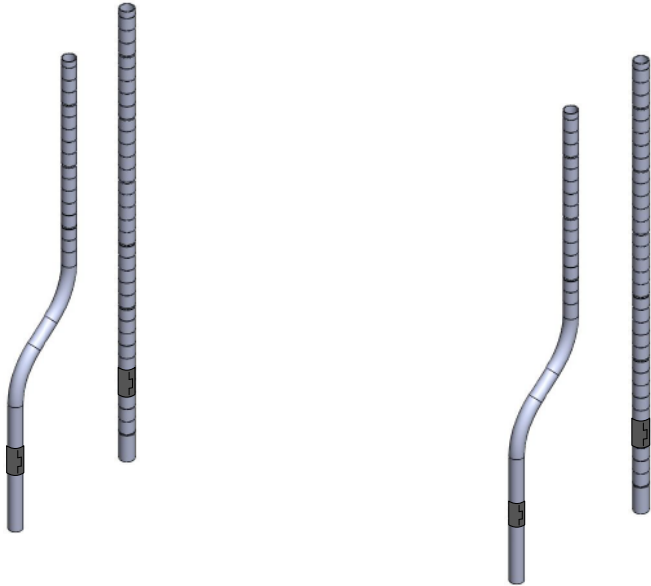
### ATTENTION:

make sure the arrow is facing up when placing on the plastic sleeves

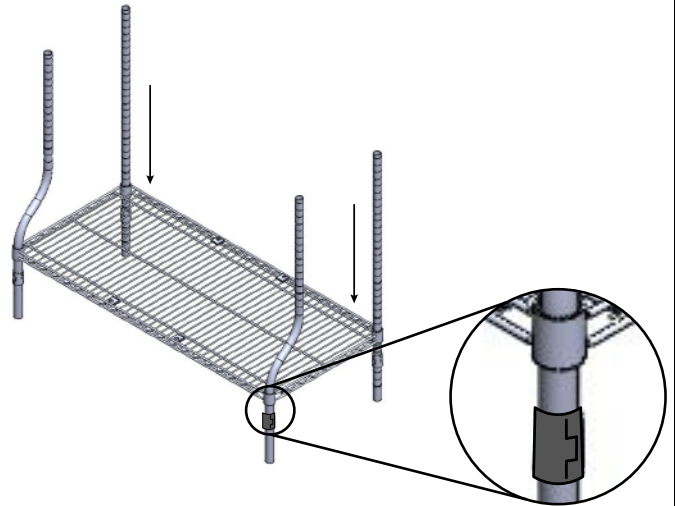


rubber mallet required

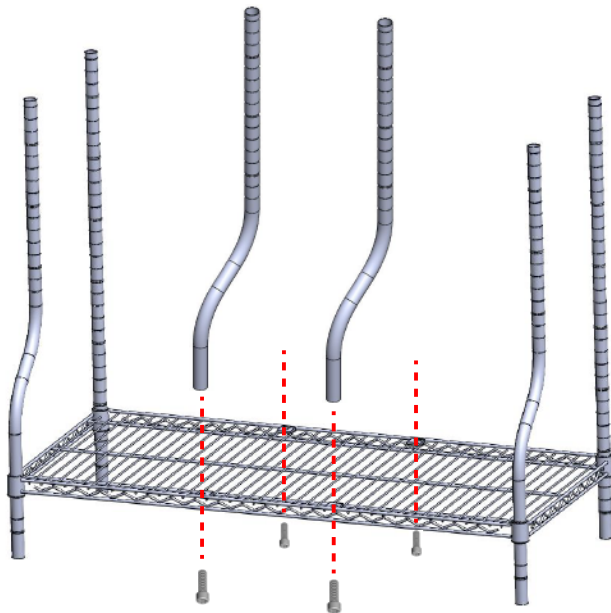
1. Place plastic sleeves on outer curved posts and outer straight posts, ensuring all sleeves are at the same height.



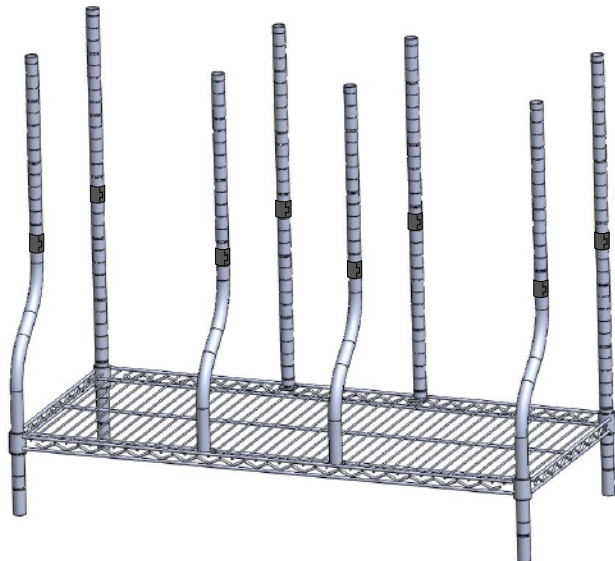
2. Slide the lower shelf over the posts. The holes on the shelf should fit snugly over the sleeves. Hit lightly with rubber mallet to secure.



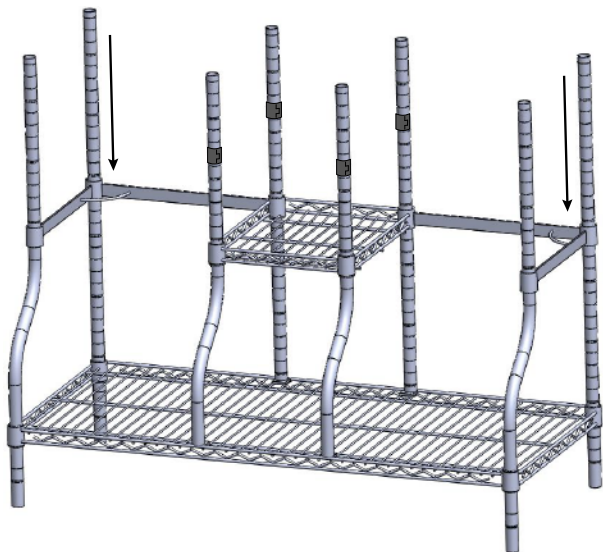
3. Align inner curved posts and inner straight posts with slots on lower shelf. Secure with post screws and hex key.



4. Place plastic sleeves on each of the posts at desired height. Ensure all sleeves are at the same height.

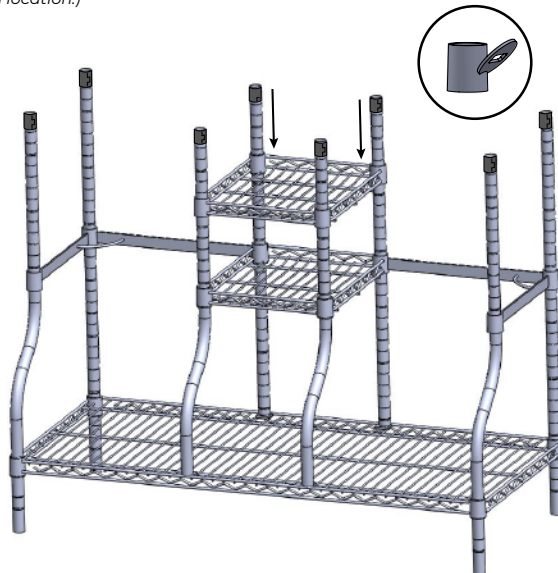


5. Slide the first small shelf with support over the posts and gently secure with mallet. Place plastic sleeves on the inner posts at desired height.



6. Slide small shelf over inner posts. Place the final plastic sleeves on the tops of each of the posts.

*(note: if you want to include the optional bottle opener, place it on at this point in desired location.)*



7. Slide final small shelf with support over the posts and secure with mallet. Install 3" casters into the bottom of the outer posts.

