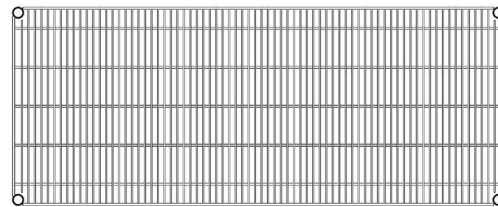
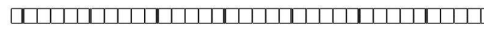


Assemble as single, dual, or extended units (see backside)

### Components:



Wire Shelf **x4/5/6\***



Post **x8**



**NOTE:** Circular, plastic tops between shelves are used for packaging ONLY.

\* quantities vary by shelf size



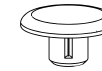
Casters **x4 \***  
(not included in 14x30x60)



Adjustable Feet **x8**



Wide Top Caps **x8**  
(for dual/extended unit assembly)



Slim Top Caps **x4**  
(for single unit assembly)



Clip Sleeves **x32/40/48\***



Threaded Inserts **x4**  
(for single unit assembly)

### CUSTOMER SERVICE NEED ASSISTANCE?

Contact our customer support team:

**PHONE:**

(877) 655-3443

**EMAIL:**

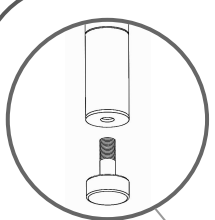
support@saferacks.com

**WEB:**

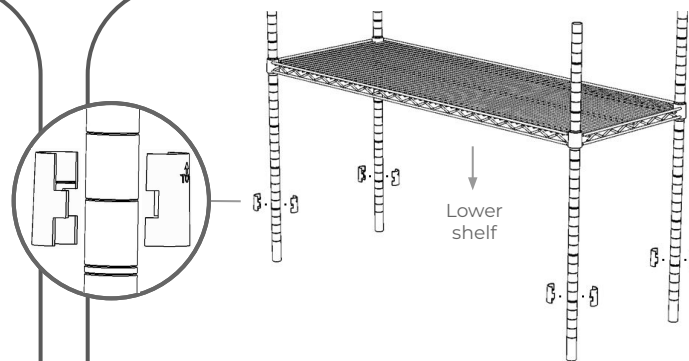
www.saferacks.com

## Single Unit Assembly Guide

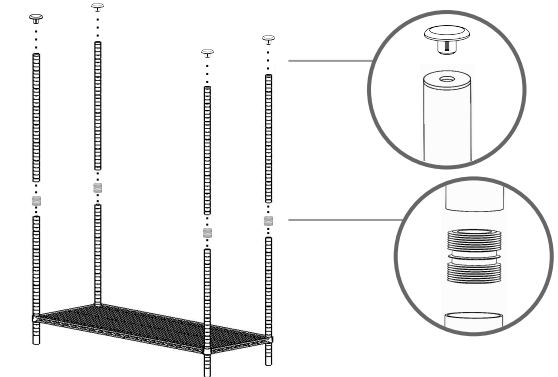
If you wish to install your wire shelf as a single unit, follow the instructions below.



**1** Assemble adjustable feet to first set of posts. If using casters, install them at the end to prevent the unit from moving during installation.



**2** Install 4 clip sleeve pairs at desired shelf height (bring clips together above desired groove and lower until a "click" is heard). Always follow directional arrows.



**3** Assemble top posts using the threaded inserts and install slim top caps. Repeat step 2 until fully assembled.

### Dual and Extended Unit Assembly Guide

If you wish to install your wire shelf as a dual or extended unit, follow the instructions below.

**1** Assemble adjustable feet to first set of posts. If using casters, install them at the end to prevent the unit from moving during installation.

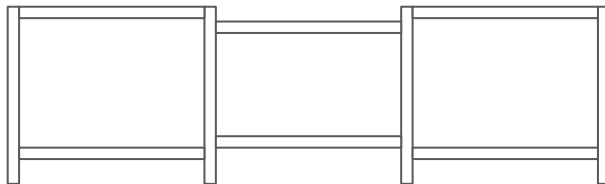
**2** Install 4 clip sleeve pairs at desired shelf height (bring clips together above desired groove and lower until a "click" is heard). Always follow directional arrows.

**3** Install wide top caps. Repeat step 2 until fully assembled.

### Layout Variations

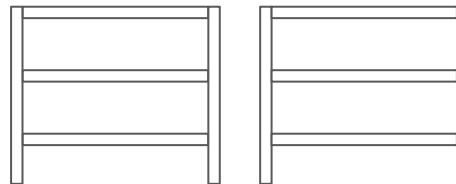
The layout illustrations below depict a 6-tier wire shelf unit.  
*(in extended units, install at least two shelves per vertical section for stability)*

**Extended Unit**



**Note:** adjacent shelves cannot be assembled at the same height

**Dual Units**



**Single Unit**

