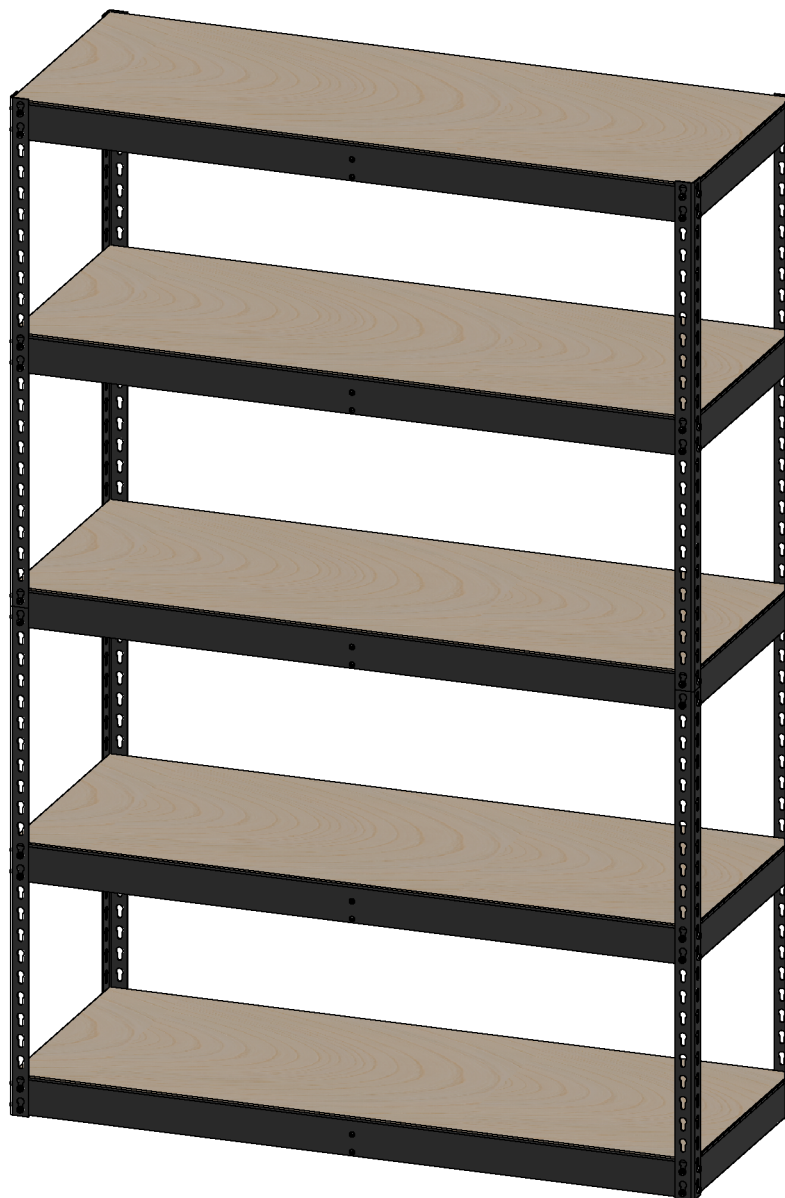


18" x 36" x 72"  
18" x 48" x 72"



## Modular Garage Shelving Installation Instructions



Weight Capacity  
300 Lbs Per Shelf

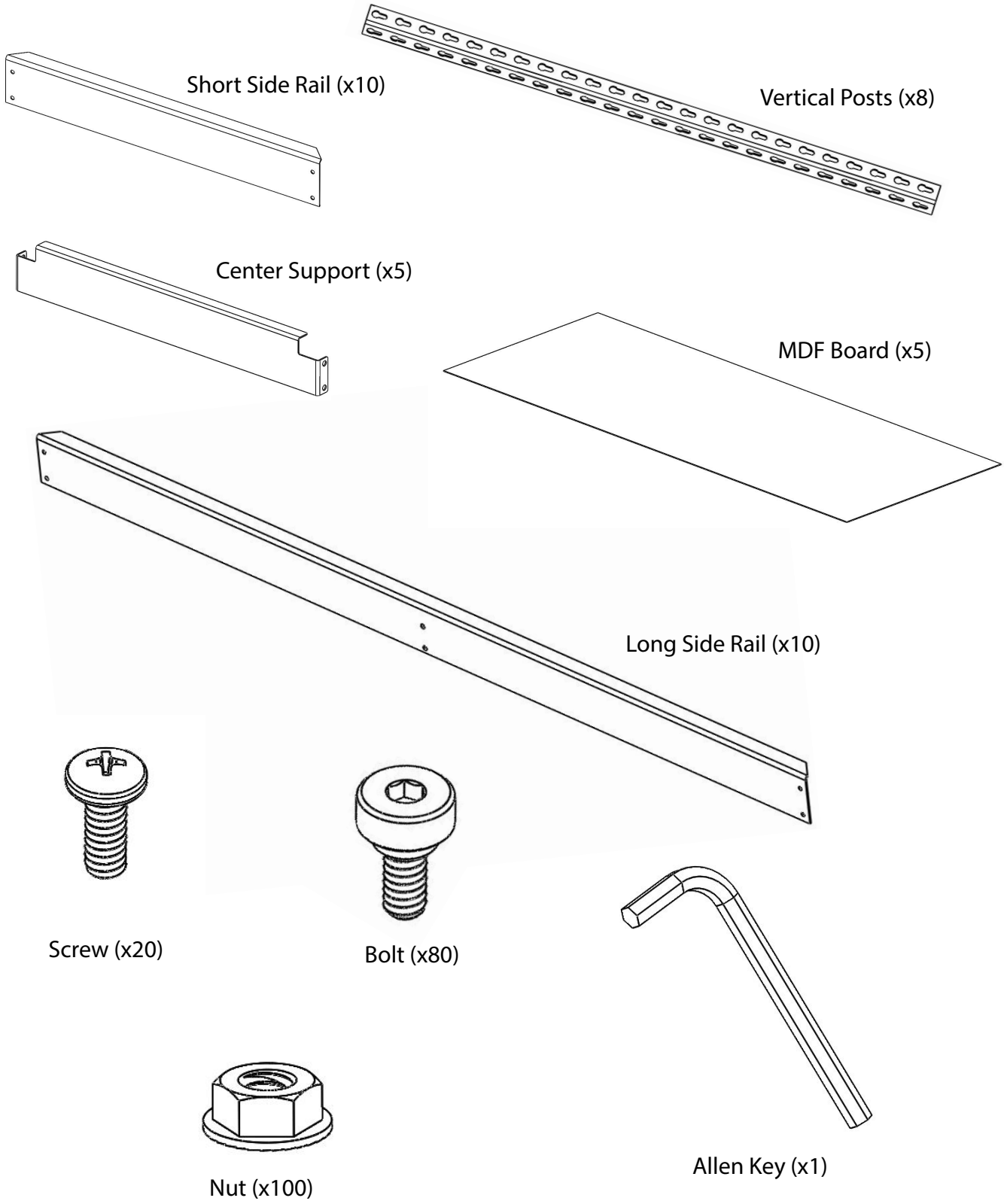
Rubber Mallet Required

1-877-655-3443 (English, Español)  
7:00 am - 5:00 pm  
Monday - Friday, Pacific Time, North America  
support@saferacks.com  
www.saferacks.com

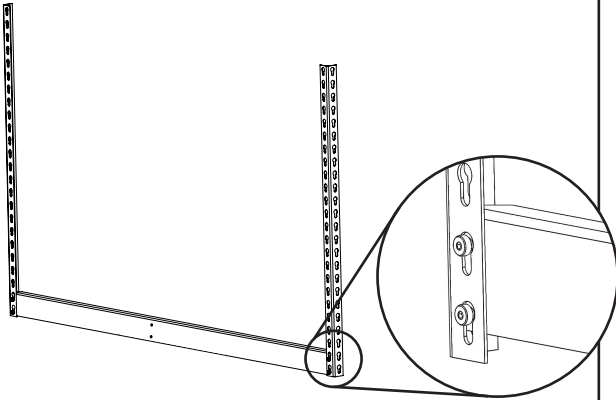
**⚠️ WARNING:**

This product can expose you to chemicals including lead, which is known to the State of California to cause cancer and birth defects or other reproductive harm. For more information, go to [www.65Warnings.ca.gov](http://www.65Warnings.ca.gov)

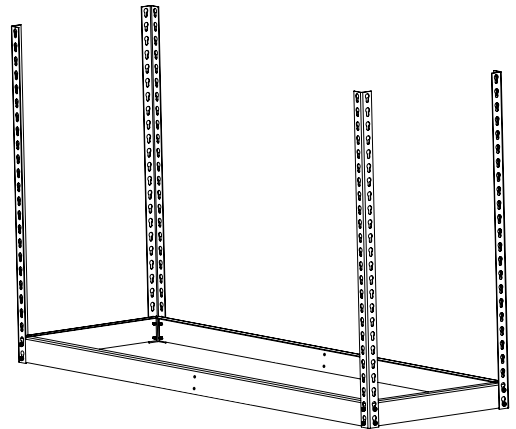
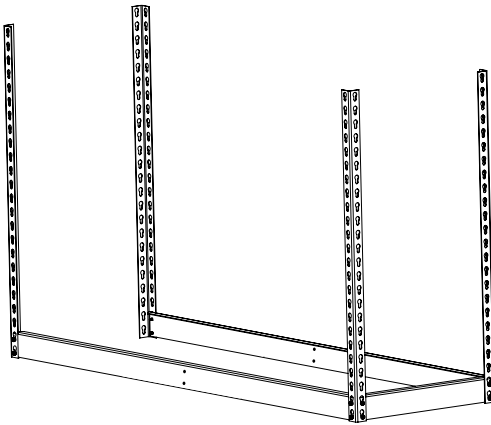
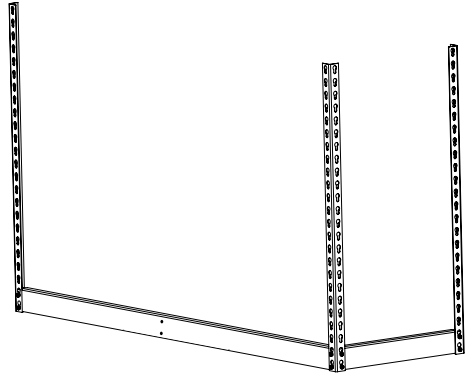
# Components List



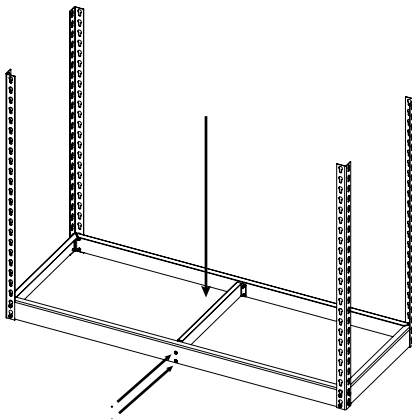
1. Place the shoulder bolts of the long side rail into the holes of the vertical posts. Gently hammer with rubber mallet.



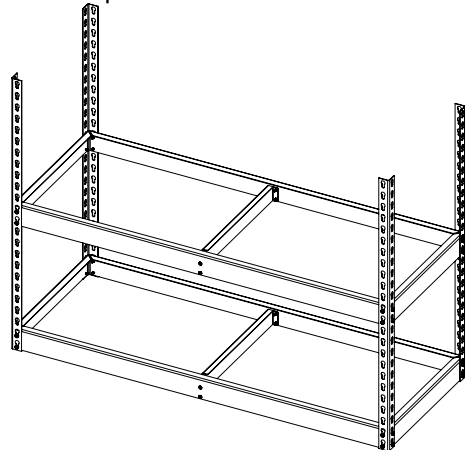
2. Repeat until all four sides of bottom frame are assembled.



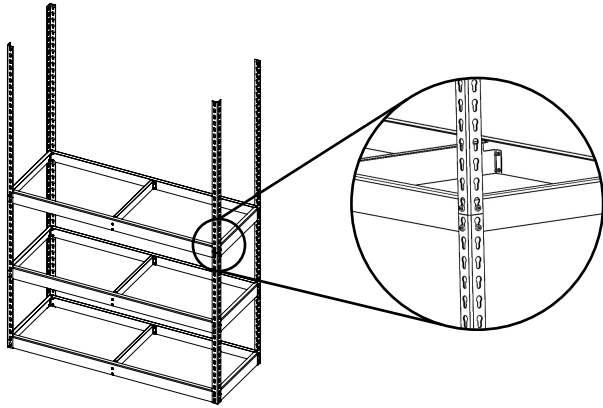
3. Place center supports between long side rails and align the holes. Secure with 4 screws and 4 nuts



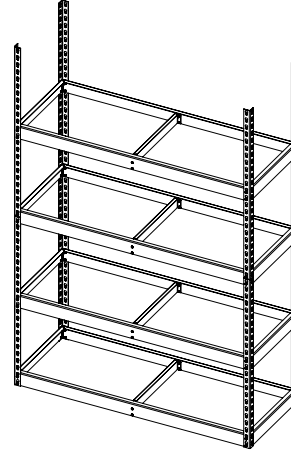
4. Repeat entire process for second shelf.



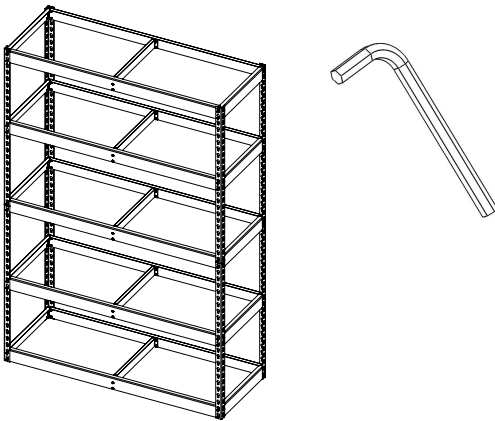
5. To secure the upper portion of the rack, hold the vertical posts together while placing the side rails in the holes.



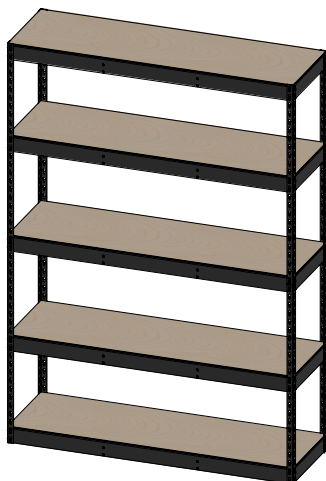
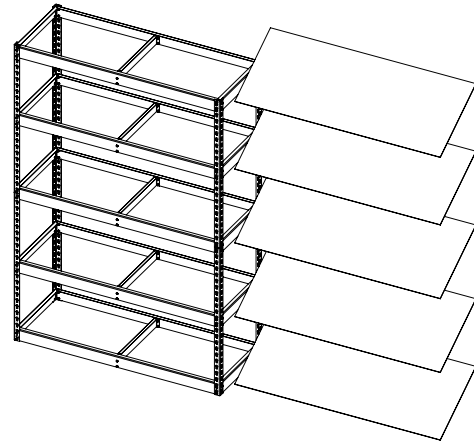
6. Repeat steps 1-3 until all shelves are assembled.



7. Using the Allen Key, tighten all shoulder bolts to ensure rack is secure.



8. Place boards securely over each shelf.



If you have any  
questions during your  
installation, please call  
**877-655-3443**  
or go to  
[www.SafeRacks.com](http://www.SafeRacks.com)