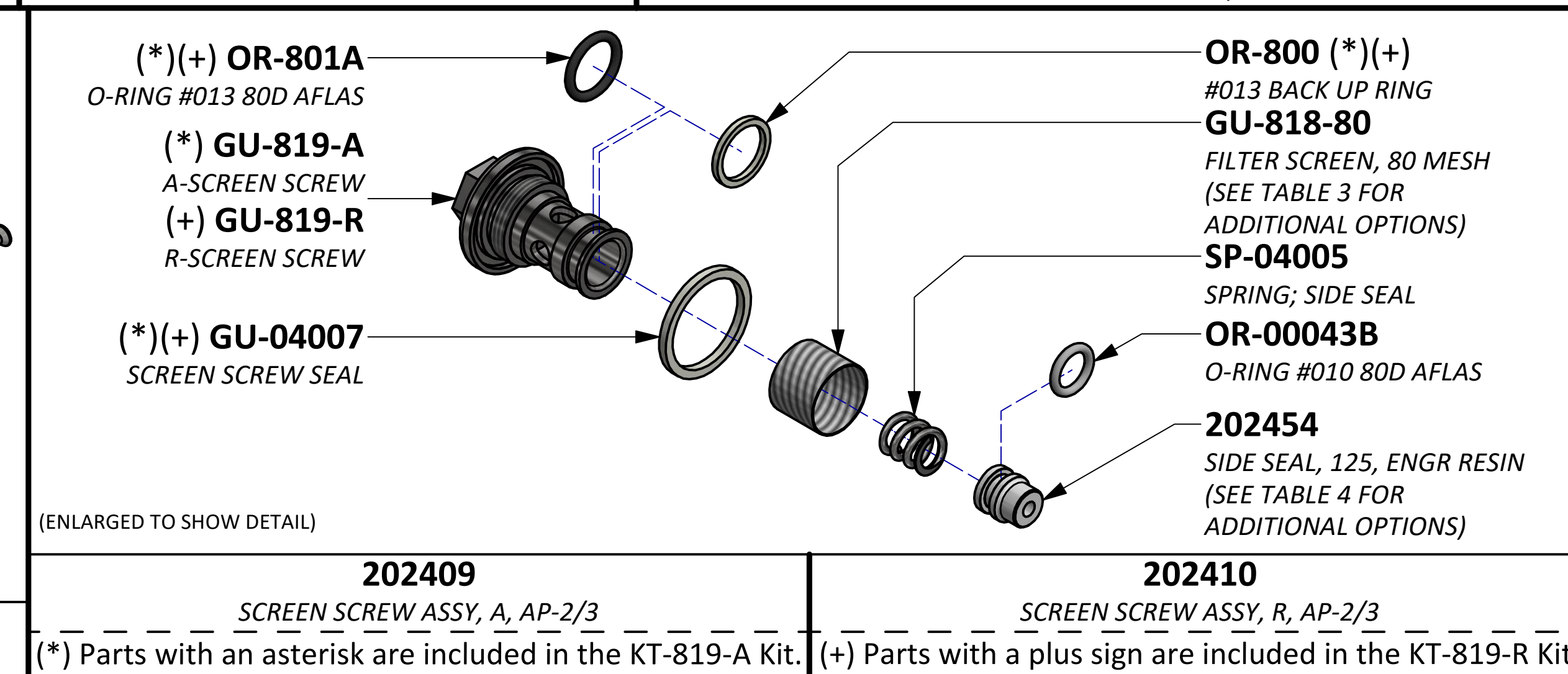
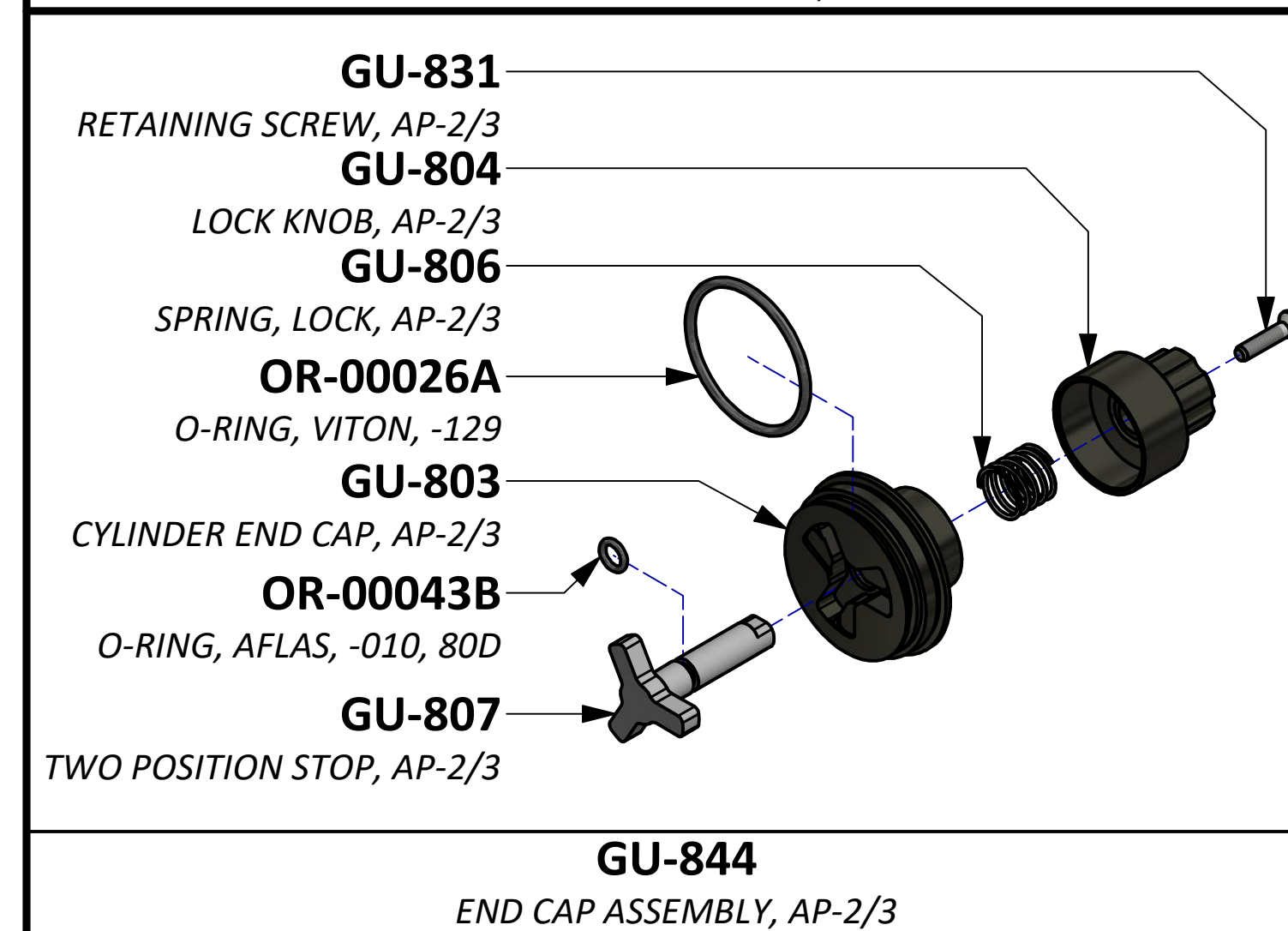
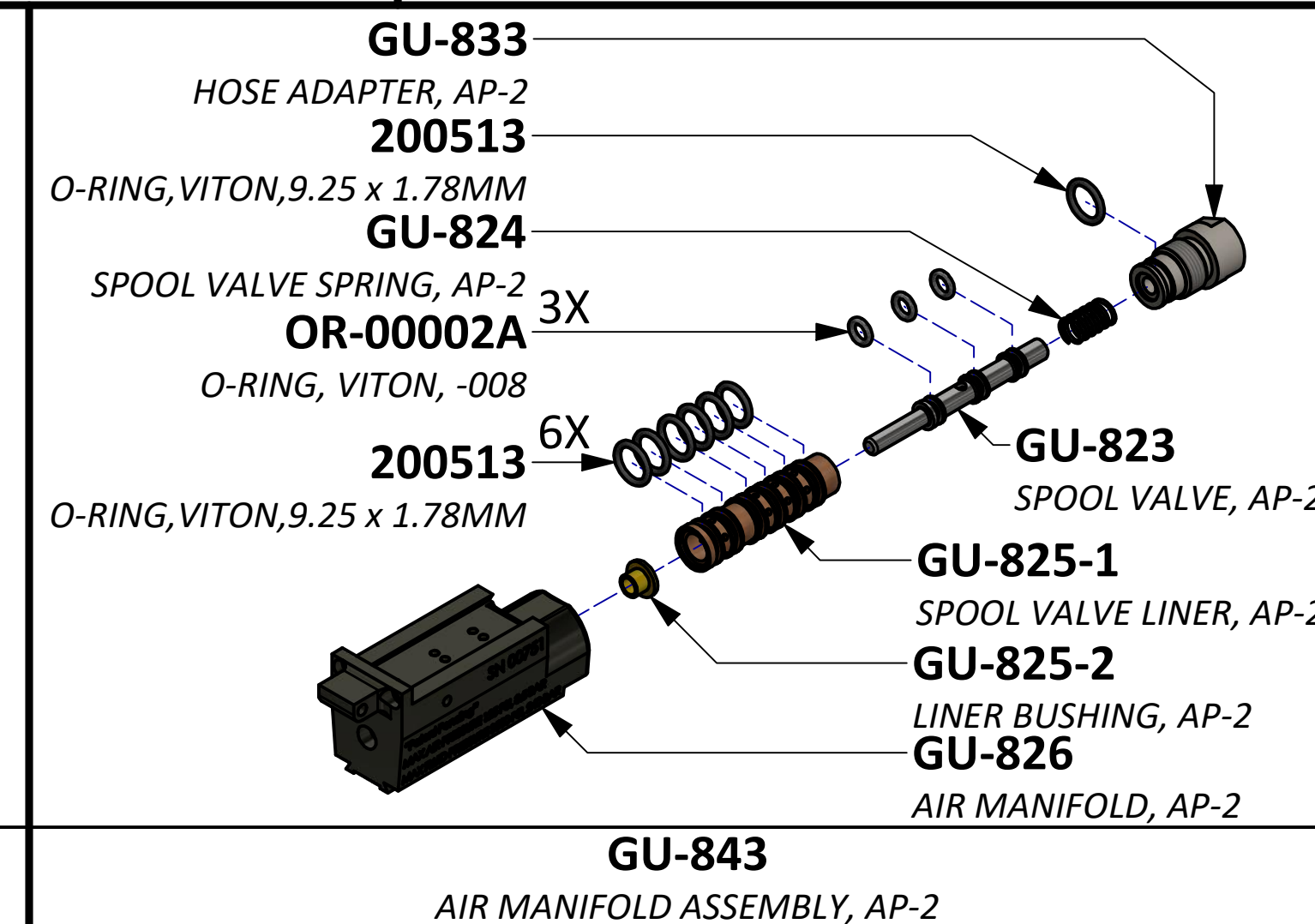
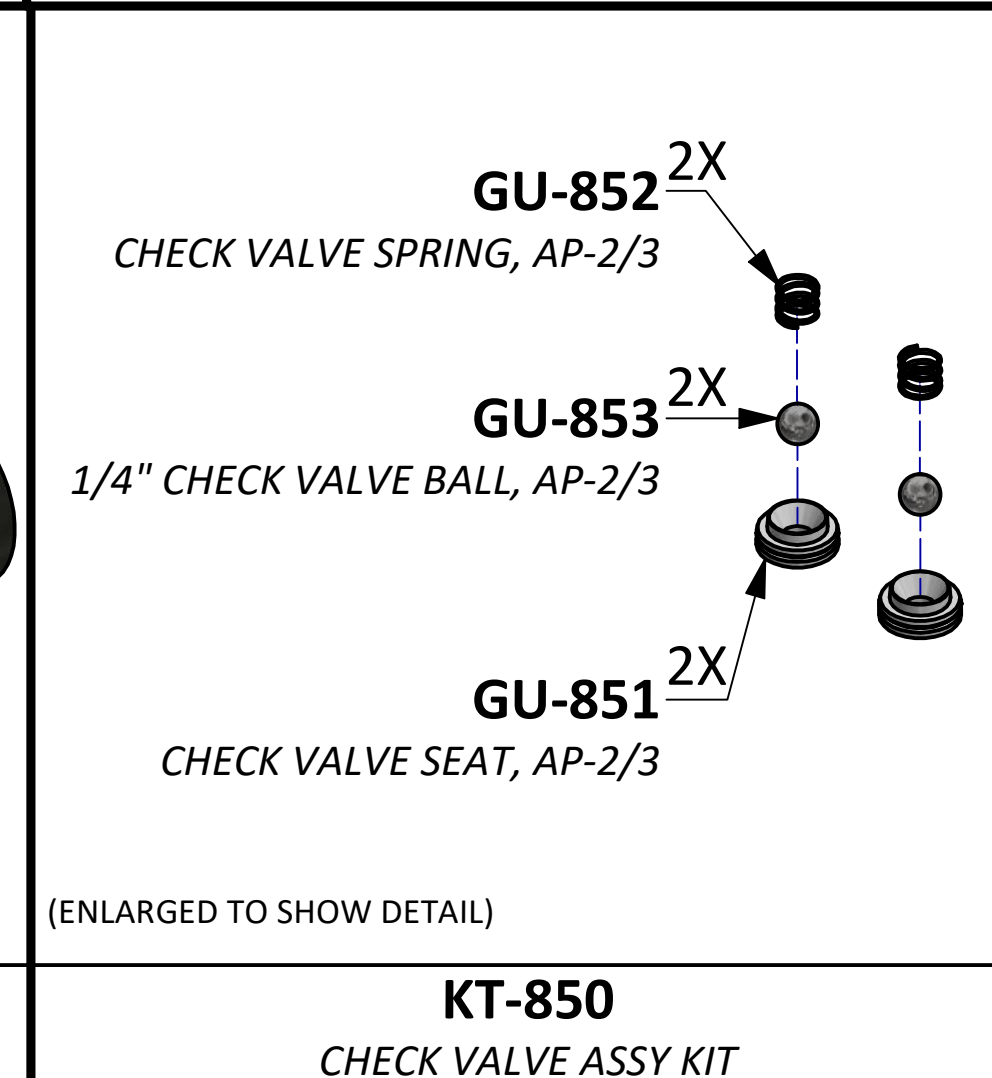
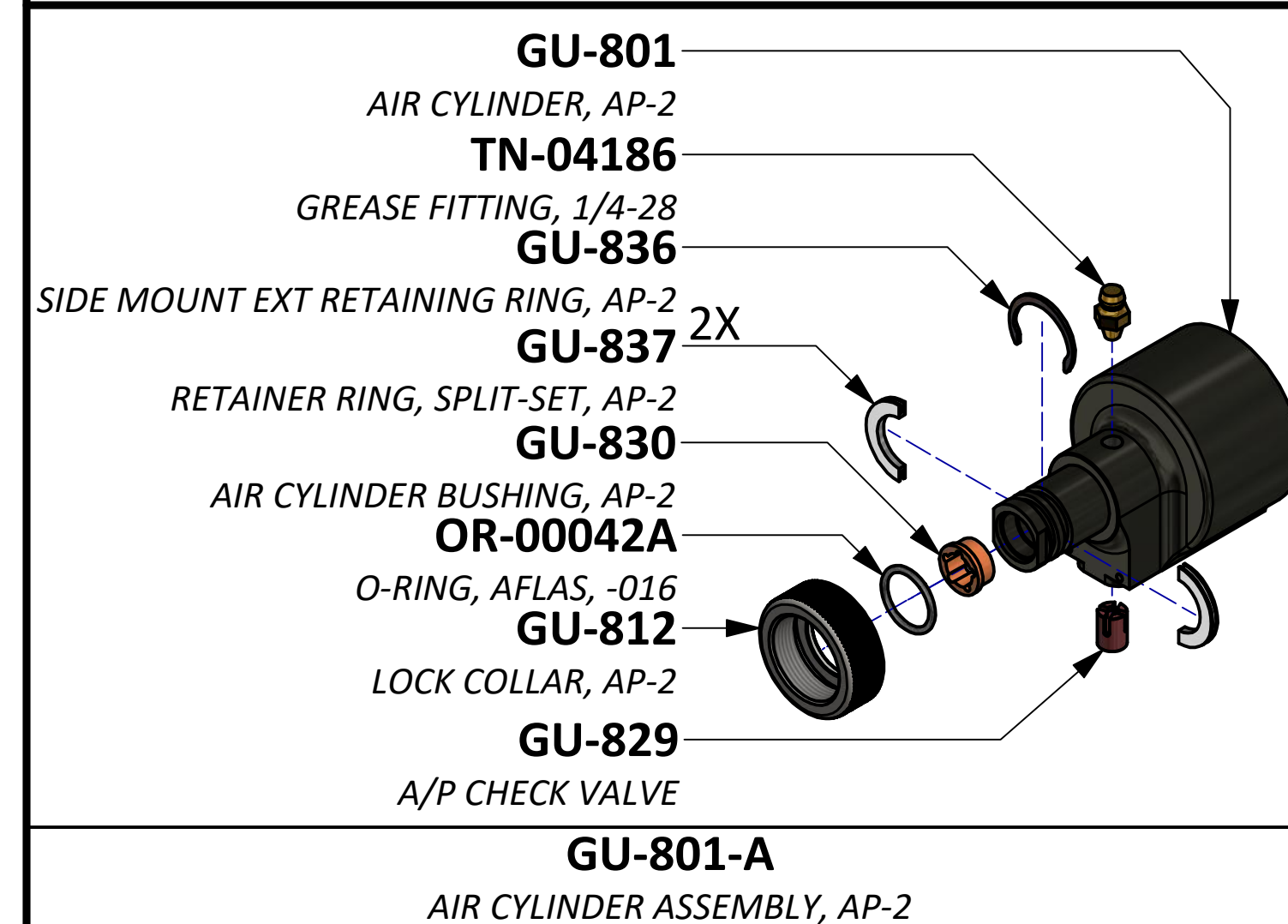
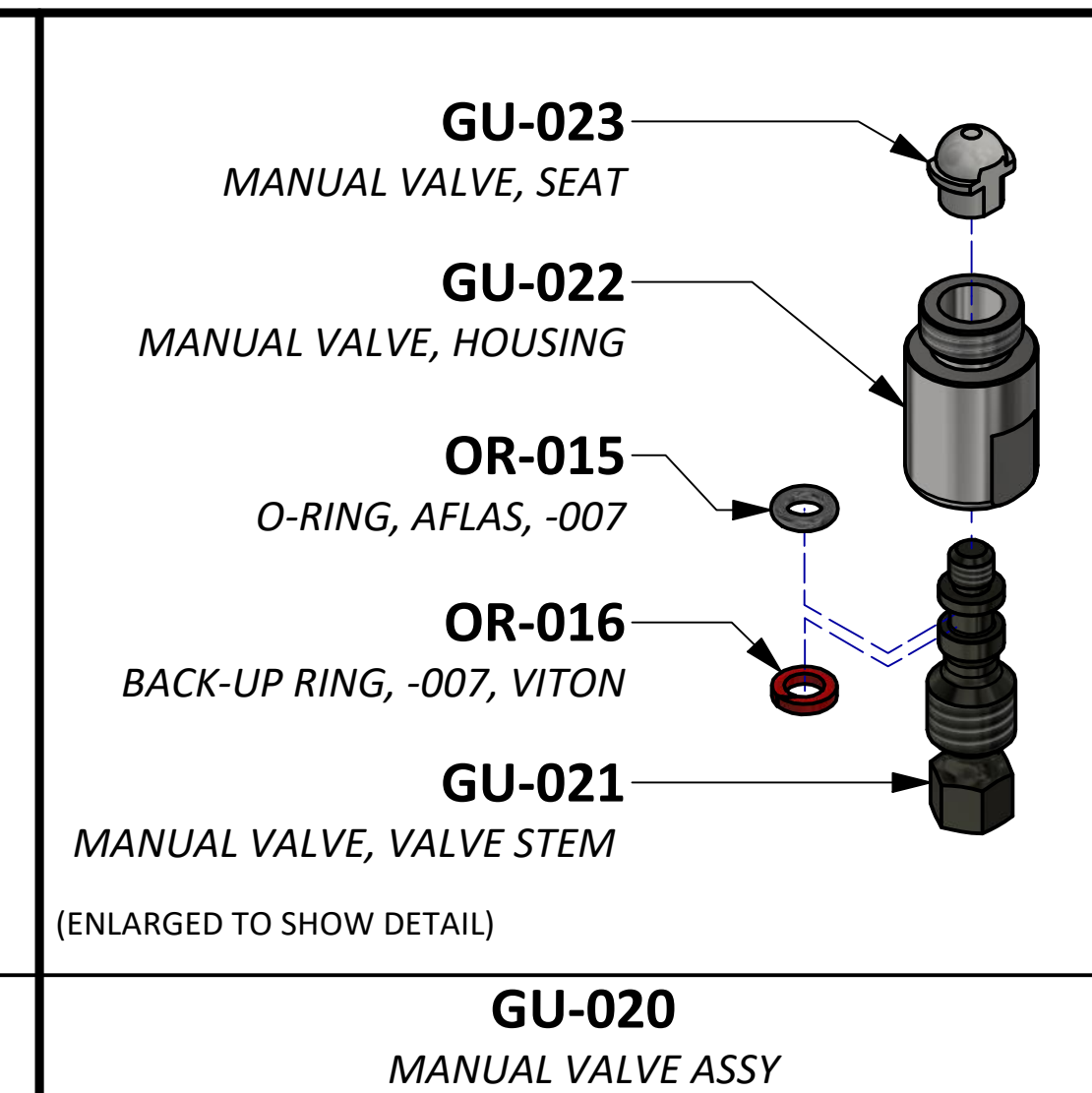
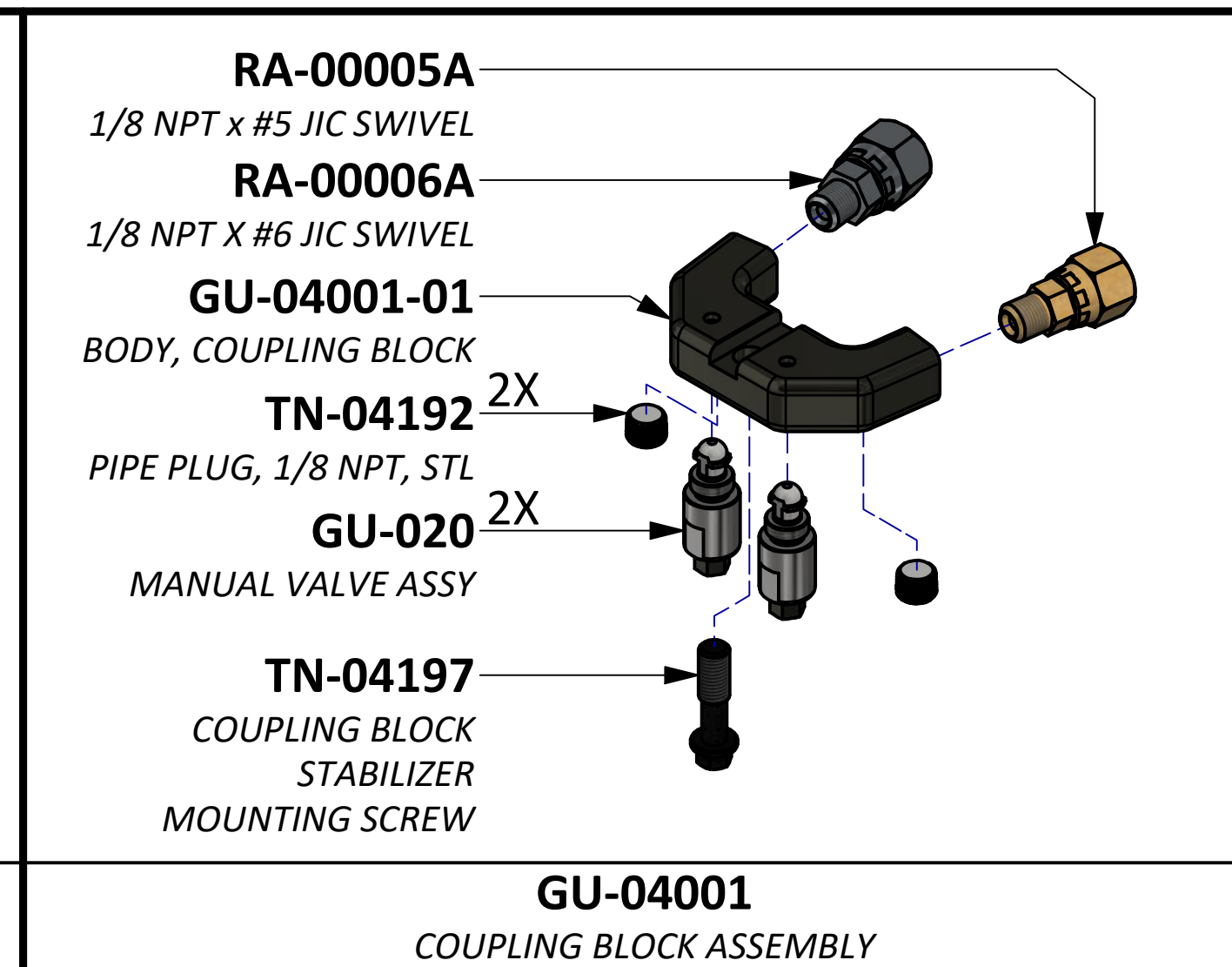
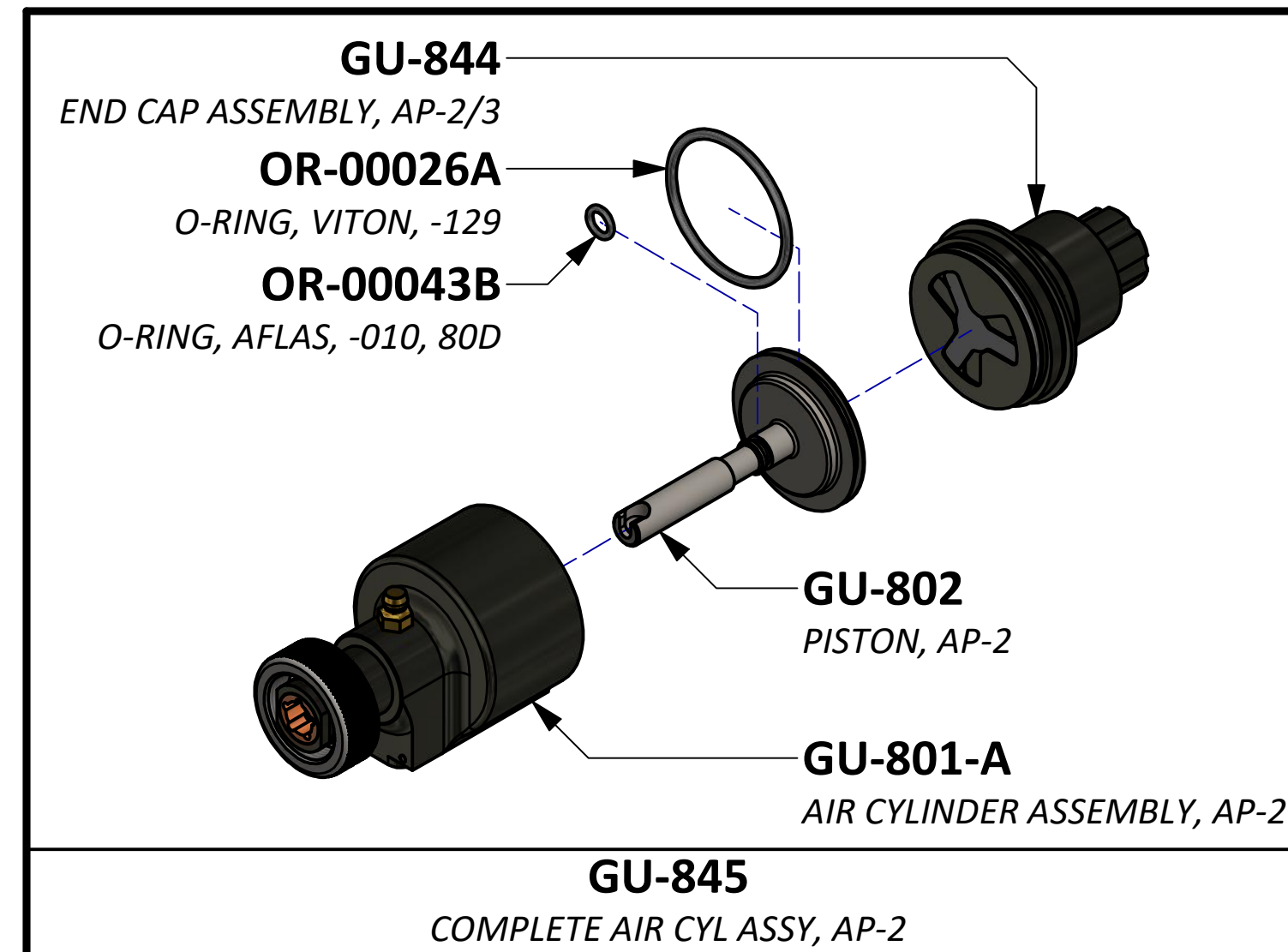
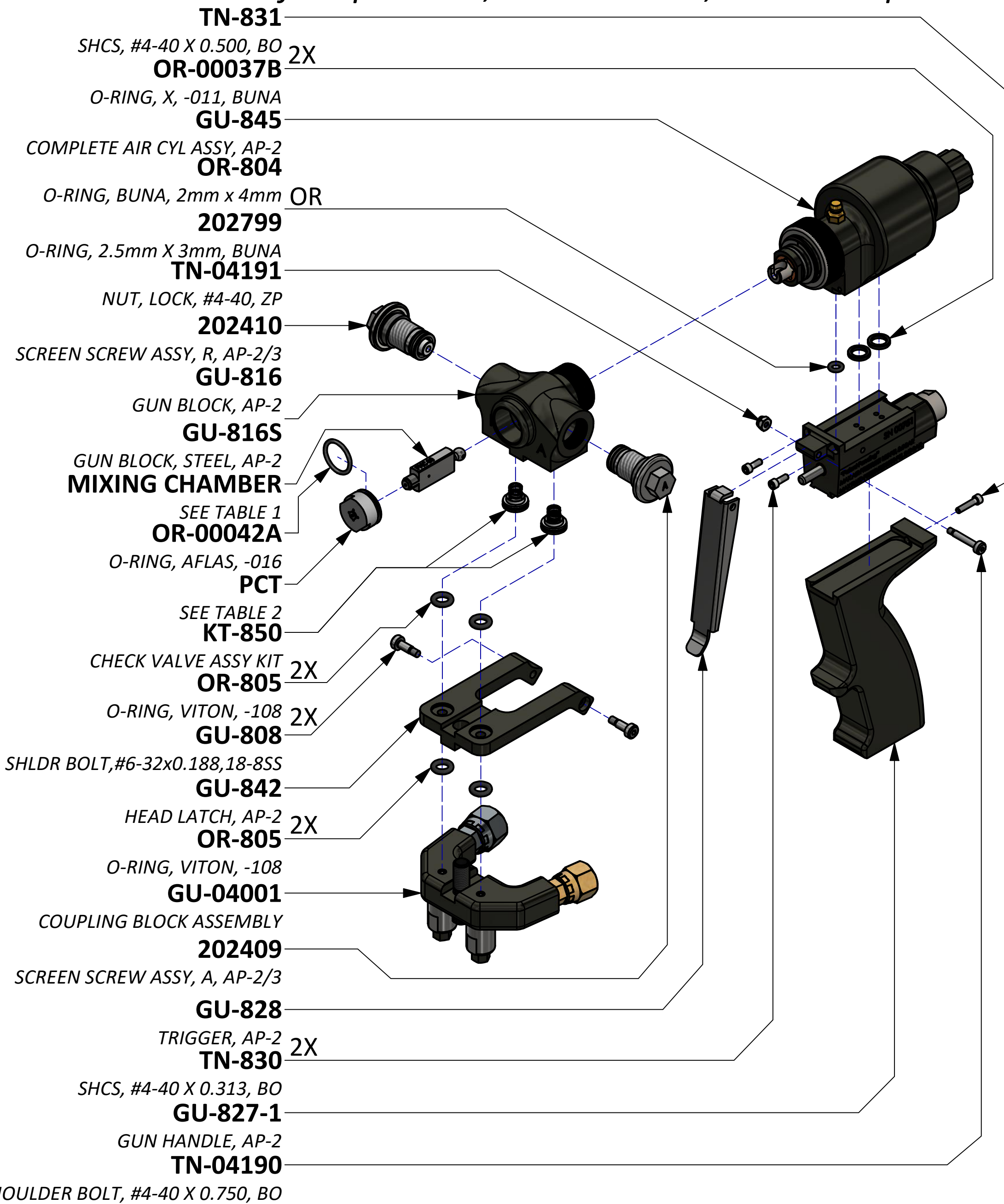


# AP-2 SPRAY AND POUR GUN

See Gun Manual for operation, maintenance, and a complete list of parts and kits.



**TABLE 1: MIXING CHAMBER KITS**

| PART NUMBER   | DESCRIPTION                |
|---------------|----------------------------|
| GU-814-DP-000 | CHAMBER, 000 W/ DRILLS, DP |
| GU-814-DP-00  | CHAMBER, 00 W/ DRILLS, DP  |
| GU-814-DP-00X | CHAMBER, 00X W/ DRILLS, DP |
| GU-814-DP-01  | CHAMBER, 01 W/ DRILLS, DP  |
| GU-814-DP-01X | CHAMBER, 01X W/ DRILLS, DP |
| GU-814-DP-02  | CHAMBER, 02 W/ DRILLS, DP  |
| GU-814-DP-02X | CHAMBER, 02X W/ DRILLS, DP |
| GU-814-DP-03  | CHAMBER, 03 W/ DRILLS, DP  |
| GU-814-DP-04  | CHAMBER, 04 W/ DRILLS, DP  |
| GU-814-DP-05  | CHAMBER, 05 W/ DRILLS, DP  |

**TABLE 2: PATTERN CONTROL TIP (PCT) KITS**

| PART NUMBER | DESCRIPTION        |
|-------------|--------------------|
| GU-815-000  | PCT, 000 W/ DRILLS |
| GU-815-00   | PCT, 00 W/ DRILLS  |
| GU-815-00X  | PCT, 00X W/ DRILLS |
| GU-815-01   | PCT, 01 W/ DRILLS  |
| GU-815-01X  | PCT, 01X W/ DRILLS |
| GU-815-02   | PCT, 02 W/ DRILLS  |
| GU-815-02X  | PCT, 02X W/ DRILLS |
| GU-815-03   | PCT, 03 W/ DRILLS  |
| GU-815-04   | PCT, 04 W/ DRILLS  |
| 200919      | PCT, 05 W/ DRILLS  |

**TABLE 3: FILTER SCREEN OPTIONS**

| PART NUMBER   | DESCRIPTION            |
|---------------|------------------------|
| GU-818-40     | FILTER SCREEN, 40 MESH |
| GU-818-60     | FILTER SCREEN, 60 MESH |
| GU-818-80 (‡) | FILTER SCREEN, 80 MESH |

**TABLE 4: SIDE SEAL OPTIONS**

| PART NUMBER | DESCRIPTION                |
|-------------|----------------------------|
| 202247      | SIDE SEAL, 125, STEEL      |
| 202248      | SIDE SEAL, 125, DELRIN     |
| 202454 (‡)  | SIDE SEAL, 125, ENGR RESIN |

(‡) Factory standard. Other options must be purchased separately.