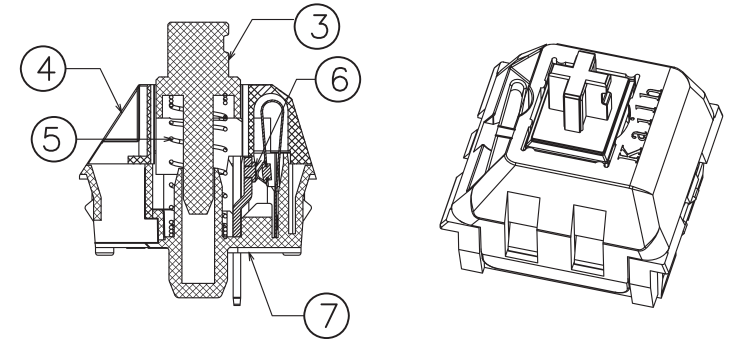
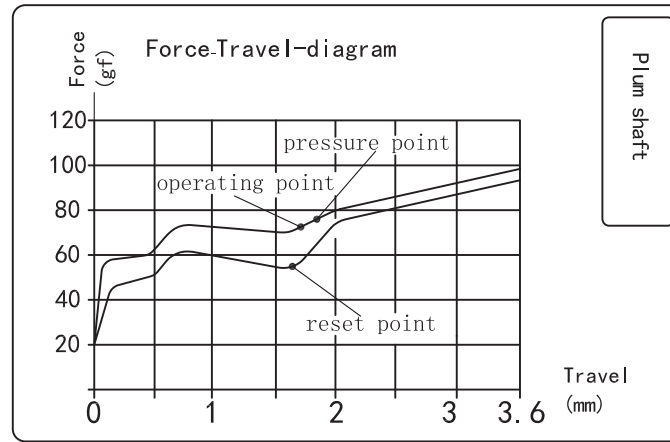
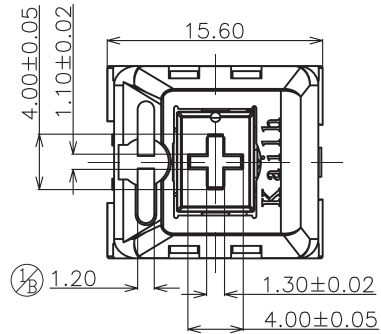


ABIDE BY ROHS

Plum shaft

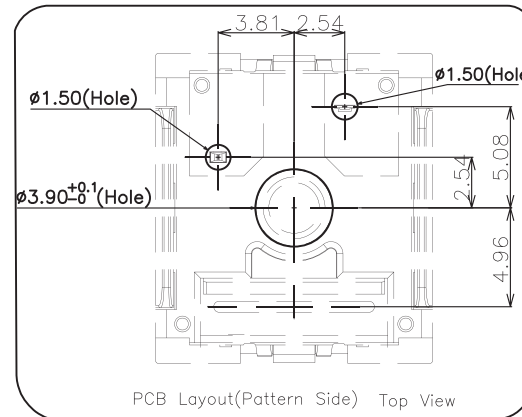
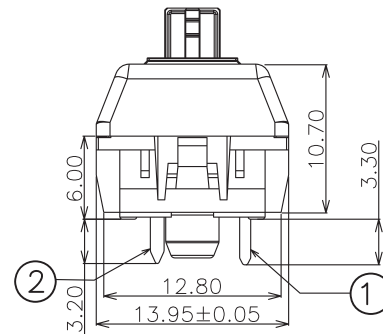
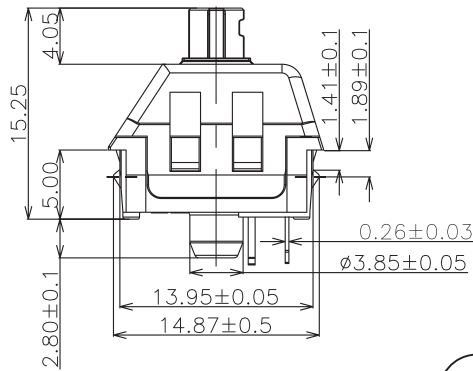
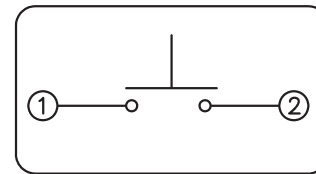


Specification :

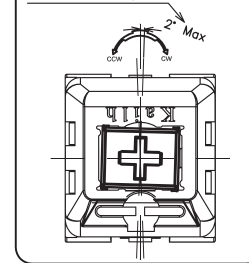
- 1. Rating : 12V AC/DC max. 2V DC min. 10mA AC/DC max. 10 μA DC min.
- 2. Contact Resistance : 100mΩ Max
- 3. Insulation Resistance : 100MΩ Min (DC500V)
- 4. Withstand Voltage : AC100V (50-60Hz) for 1 minute
- 5. Bounce Time : ≤5msec (at 16 in/sec. actuation speed)
- 6. Operation Force : 70±15gf
- 7. Tactile Force : 70±15gf
- 8. Pre travel : 1.7mm±0.6mm
- 9. Total travel : 3.6±0.6mm
- 10. Operating Life : 70,000,000 Cycles (min).

<Feel is allowed to have difference before and after life test>

SWITCH FUNCTION



The Tilt Angle Of The Switch



⑦	Base	1	PA66	White		
⑥	contact	2	Composite gold			
⑤	Spring	1	Stainless Steel			
④	Cover	1	PC	Nature		
③	Keystroke	1	POM	Plum		
②	static plate	1	Brass	sn-plating		
①	movable plate	1	Copper Alloy			
ITEM	PART NAME	TER'NO	QTY.	MATERIAL	FINISHING	REMARK

APPROVALS		DATE	Kailh KAIHUA ELECTRONICS CO., LTD		
DRAWN	Y.J.P	2017.09.15	TITLE:	PG1511 Keystroke Switch(Plum shaft)	
CHECKED			PART NO.	CPG151101D232	
APPROVALS			UNIT: mm	SCALE: 1:1	PROJ:
TOLERANCES ARE		ANGLE	DRAWING NO.	KHA-PG1511-200EN	SHEET 1 OF 1
30<L	±0.30	±2'			
10<L	±0.20				
5<L	±0.15				
L	±0.10				

ECN NO.	REV.	DATE.	DESCRIPTION.	CHANGE.	CHECK.	APPRO.
	B		Change cover size from 0.8*8.6mm to 1.2*8.9mm. Static plate coating add tin over Ni.			
	A		NEW			

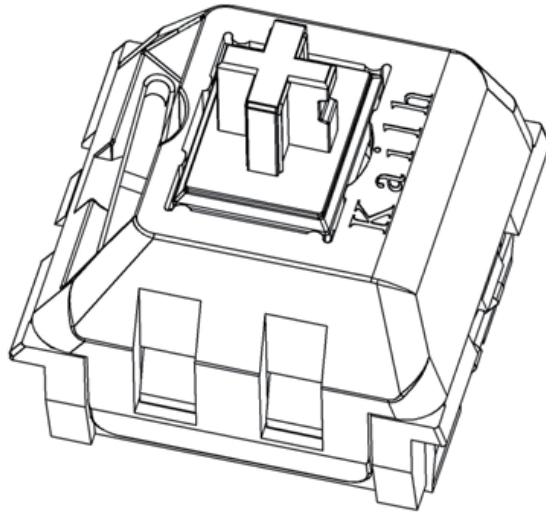
Kailh

KAIHUA ELECTRONICS

Document Number:

KH-PS1710-06

Product Specification



P/N:

CPG151101D232

Title :

PG1511 Keyboard Switch

P/N: CPG151101D232	DOC. No.: KH-PS1710-06	Rev.: A	Page: 2/11
------------------------------	----------------------------------	-------------------	----------------------

Content

1. Scope	3
2. Product Application	3
3. Technology Parameters	3
4. Ratings	3
5. Profile Dimensions	3
6. Electrical Performance	4
7. Mechanical Performance	5~6
8. Environmental Performance	7~9
9. Recommended PCB Layout	10
10. Loading Parameter Specification	11
11. Precaution	11

P/N: CPG151101D232	DOC. No.: KH-PS1710-06	Rev.: A	Page: 3/11
------------------------------	----------------------------------	-------------------	----------------------

1. Scope:

This Product Specification covers the requirement of Mechanical Keyboard switch on product performance, test methods and quality assurance provisions.

2. Product Application:

Mainly applied on computer keyboards, cash registers, industrial equipment and Man-Machine interface.

3. Technology Parameters:

Ambient Humidity: 45 ~ 85% RH

Operating Temperature Range: $-10^{\circ}\text{C} \sim +70^{\circ}\text{C}$

Storage Temperature Range: $-20^{\circ}\text{C} \sim +70^{\circ}\text{C}$

Suggested storage period: about 6 months

Require the tin part on the switch terminals should keep good after storage guarantee date

Normal Condition:

Ambient temperature: $20 \pm 2^{\circ}\text{C}$

Relative humidity: $65\% \pm 5\% \text{RH}$

Air pressure: 86~101KPa

4. Ratings

Rating: 12V AC/DC max. 2V DC min

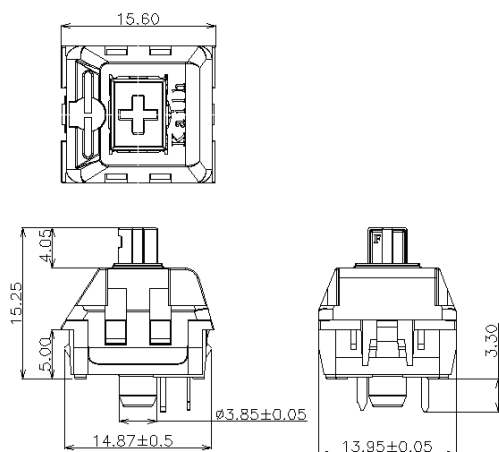
10mA AC/DC max. 10 μ A DC min

Insulation Resistance: $\geq 100\text{M}\Omega/\text{DC } 500\text{V}$

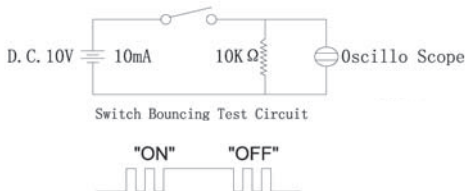
Withstand Voltage: 100 AC 1 Minute

Mechanical Life: 70,000,000 Cycles

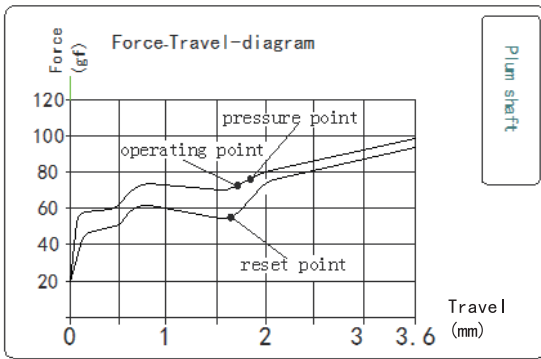
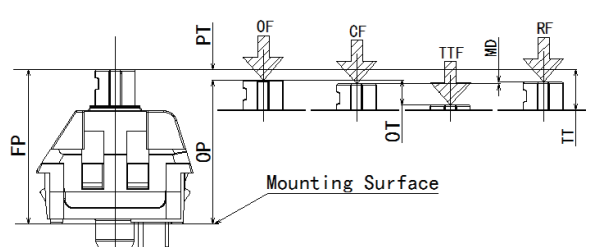
5. Profile Dimensions

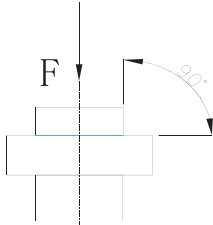
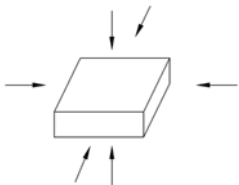


6. Electrical Performance

Item	Description	Test Condition	Requirement
6.1	Contact Resistance	<p>Static load: (Operation force)x2, which is applied on the center of Switch stem.</p> <p>Measurement tool: Contact resistance Meter. (1KHz,20mV,5~50mA)</p> <p>Measured at low current (100mA or less).</p>	100mΩ Max
6.2	Insulation Resistance	<p>Apply a Voltage of DC 500 V for 1 minute, according to the below method.</p> <p>(1) Between terminals. (2) Between terminal and Body.</p>	100mΩ Min
6.3	Dielectric withstanding voltage	<p>Apply a Voltage of AC100 V (50~60Hz) for 1 minute, according to the below method.</p> <p>(1) Between terminals. (2) Between terminal and Body.</p>	No evidence of breakdown
6.4	Bouncing	<p>Operation speed: 3~4 times/s</p> <p>Oscillo scope</p> <p>Switch Bouncing Test Circuit</p>  <p style="text-align: center;">Switch Bouncing Test Circuit</p> <p style="text-align: center;">"ON" "OFF"</p>	<p>Before Life cycle: On: 5ms MAX Off: 5ms MAX</p> <p>After Life cycle: On: 10ms MAX Off: 10ms MAX</p>

7. Mechanical Performance

Item	Description	Test Condition	Requirement
7.1	Load Curve	<p>Place the vertical direction of switch operation and gradually increase the load applied to the center of the stem until it stop.</p>  <p>The diagram is a line graph titled 'Force-Travel-diagram'. The vertical axis is labeled 'Force (gf)' and ranges from 0 to 120 in increments of 20. The horizontal axis is labeled 'Travel (mm)' and ranges from 0 to 3.6 in increments of 1. Three curves are plotted, each representing a different phase of the switch's operation. The first curve starts at (0,0), rises to a peak of approximately 60 gf at 0.5 mm travel, then drops to a 'reset point' at about 55 gf and 1.5 mm travel. The second curve starts at (0,0), rises to a peak of approximately 75 gf at 1.0 mm travel, then drops to an 'operating point' at about 70 gf and 1.8 mm travel. The third curve starts at (0,0), rises to a peak of approximately 100 gf at 2.0 mm travel, then drops to a 'pressure point' at about 95 gf and 2.5 mm travel. A vertical line at 3.6 mm travel is labeled 'plum shaft'.</p>	See page 11
7.2	Loading parameter	<p>Place the vertical direction of switch operation and gradually increase the load applied to the center of the stem until it stop.</p>  <p>The diagram is a cross-sectional view of the switch mechanism. It shows the internal components, including the stem, spring, and contact points. A 'Mounting Surface' is indicated at the bottom. Various points of force application are labeled: PI (Plum Shaft Insertion), OF (Operating Force), CF (Contact Force), TIF (Terminal Insertion Force), MD (Mounting Depth), RF (Reset Force), OP (Operating Point), OT (Operating Travel), and IT (Insertion Travel).</p>	See page 11

7.3	Static Strength	<p>A static load of 3kgf shall be applied in the direction of button operation for a period of 60 seconds.</p> 	No damage (Electrical) And mechanical
7.4	Stem Pull Strength	Break by a pull force applied opposite to the direction of stem operation.	5kgf Min
7.5	Shock	<p>Measured by according to the below condition: (1) Acceleration: 80g (2) Cycles of test: 3 cycles each in 6 directions, for a total of 18 cycles.</p> 	Shall meet No.6, 7.1, 7.2.
7.6	Life Test	<ol style="list-style-type: none"> 1) D.C.12V 10mA resistance load 2) Operation speed: 5-6 times / s 3) Push force: 150gf 4) Push travel: 3.6mm 5) Operation number: 70,000,000 cycles 	Contact resistance: 1000 mΩ Max Bouncing: 10ms Max Operation force: Variation rate within ±30%

8. Environmental Performance

Item	Description	Test Condition	Requirement												
8.1	Cold test	(1) Temperature: $-20\pm 2^{\circ}\text{C}$ (2) Duration of test: 48h (3) Take off a drop water (4) Standard conditions after test: 1h	Contact resistance: 200mΩ Max Shall meet: No. 6.2 to 6.4 No. 7.1 to 7.2												
8.2	Heat test	(1) Temperature: $70\pm 2^{\circ}\text{C}$ (2) Duration of test: 48h (3) Take off a drop water (4) Standard conditions after test: 1h	Contact resistance: 200mΩ Max Shall meet: No. 6.2 to 6.4 No. 7.1 to 7.2												
8.3	Temperature cycle	(1) Test cycles: 5 cycles (2) Standard condition after test: 1h <table border="1" data-bbox="411 1568 1015 1760"> <thead> <tr> <th></th> <th>Temperature</th> <th>Duration of test</th> </tr> </thead> <tbody> <tr> <td rowspan="4">1 cycle</td> <td>$20\pm 5^{\circ}\text{C}$</td> <td>1h</td> </tr> <tr> <td>$-20\pm 2^{\circ}\text{C}$</td> <td>1h</td> </tr> <tr> <td>$20\pm 5^{\circ}\text{C}$</td> <td>1h</td> </tr> <tr> <td>$70\pm 5^{\circ}\text{C}$</td> <td>1h</td> </tr> </tbody> </table>		Temperature	Duration of test	1 cycle	$20\pm 5^{\circ}\text{C}$	1h	$-20\pm 2^{\circ}\text{C}$	1h	$20\pm 5^{\circ}\text{C}$	1h	$70\pm 5^{\circ}\text{C}$	1h	Contact resistance: 200mΩ Max Shall meet: No. 6.2 to 6.4 No. 7.1 to 7.2
	Temperature	Duration of test													
1 cycle	$20\pm 5^{\circ}\text{C}$	1h													
	$-20\pm 2^{\circ}\text{C}$	1h													
	$20\pm 5^{\circ}\text{C}$	1h													
	$70\pm 5^{\circ}\text{C}$	1h													

8.4

Soldering heat test

Soldering area: T/2 of PWB thickness.
(PWB: T=1.6mm)
Soldering temperature: $260 \pm 5^{\circ}\text{C}$
Soldering time: $5 \pm 0.5\text{s}$

Appearance:
No abnormality.

8.5

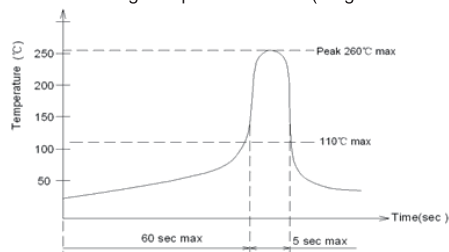
Solder ability

1. Hand soldering:
Please practice according to below condition:
(1) Soldering Temperature: $350 \pm 5^{\circ}\text{C}$
(2) Continual soldering time: $3 \pm 0.5\text{s}$
(3) Capacity of soldering iron: $\leq 20\text{w}$

2. Automatic PIP soldering:
For the product of T/H according to below condition:

At least 95% of surface area of immersed portion shall be covered by solder.

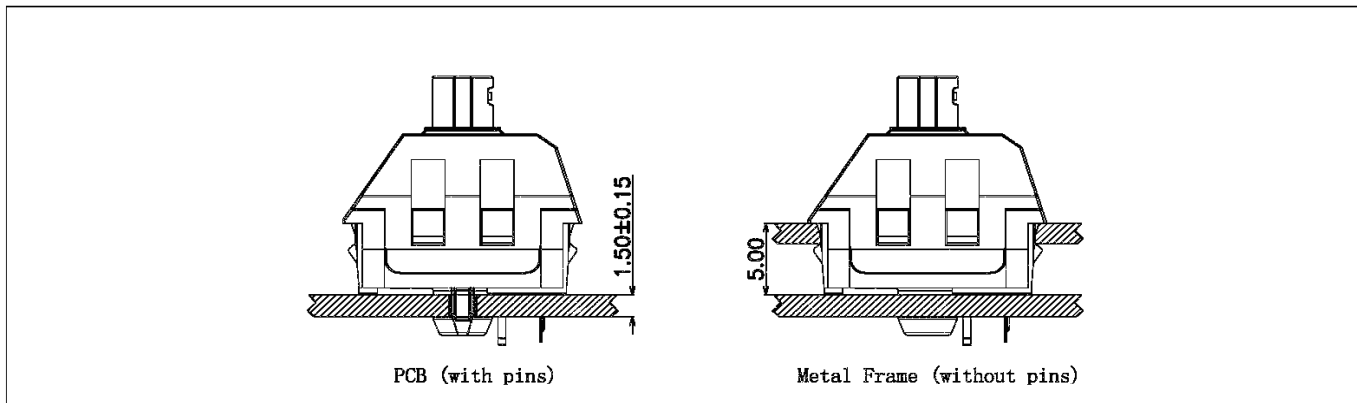
Wave Soldering Temperature Curve (Single Wave Peak)



8.6	Humidity test	(1) Temperature: $60\pm 2^{\circ}\text{C}$ (2) relative humidity: 90~95% R.H. (3) Duration of test: 48h (4) Take off a drop water (5) Standard conditions after test: 1h	Contact resistance: 200m Ω Max Shall meet : No. 6.2 to 6.4 No. 7.1 to 7.2
8.7	Salt Spray	Apply the following environment to test: (1) Temperature: $35\pm 5^{\circ}\text{C}$ (2) Salt water density: $5\pm 1\%$ (3) Duration: 12hours (4) After test, the salt deposit shall be removed by running water.	Appearance: No corrosion spot, no crack, no base plate naked. Contact Resistance: 200 m Ω Max
8.8	Withstand K_2S	Apply the following environment to test: (1) Temperature: $35\pm 5^{\circ}\text{C}$ (2) K_2S Density: 2% (3) Duration: 2 minute.	Appearance: No corrosion spot, no crack, no base plate naked. Contact Resistance: 1000 m Ω Max

9. Recommended PCB Layout

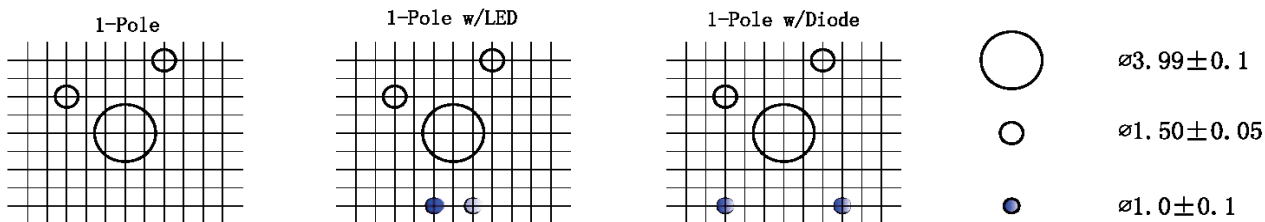
Mounting Options



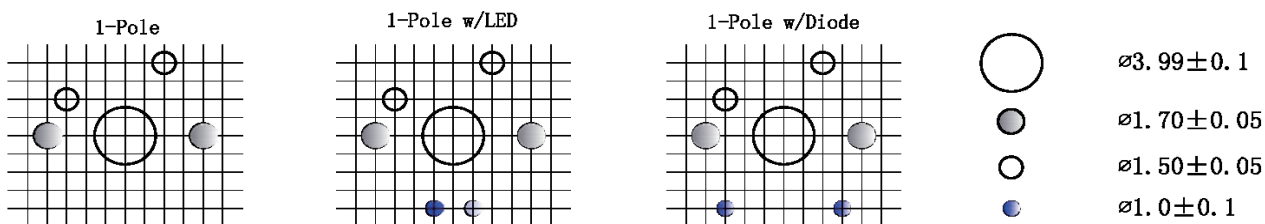
Circuit Board Layouts

Grid line spacing = 1.27mm

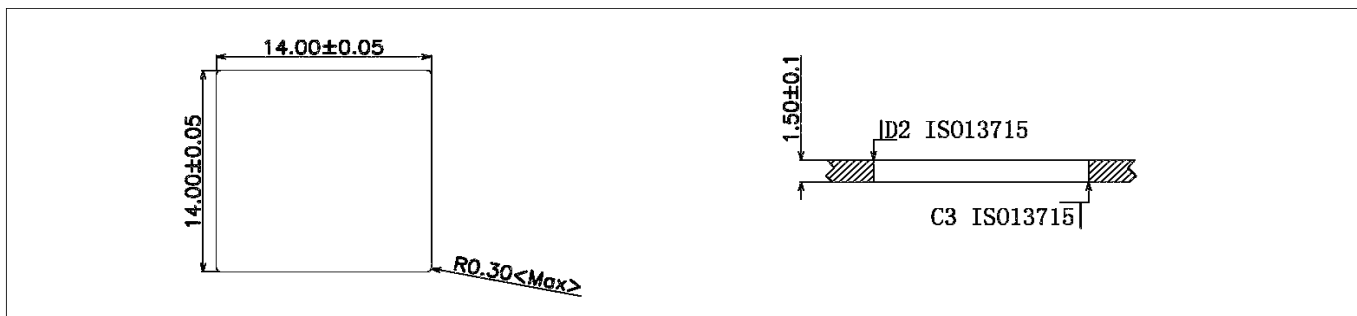
Keyswitch without fixation pins



Keyswitch with fixation pins



Metal Frame Cutout Dimensions



10. Loading Parameter (FP/OP/PT/OT /MD/CF/OF) Specification

Parameter	Unit	Specification	Remark
FP	mm	15.25 ± 0.2	
OP	mm	13.55 ± 0.8	
PT	mm	1.7 ± 0.6	
TF	gf	70 ± 15	
OF	gf	70 ± 15	Min
OT	mm	0.7	Max
MD	mm	0.6	
TT	mm	3.6 ± 0.6	

11. Precaution

11.1 Immersion Soldering condition

ITEM	CONDITION
Preheat temperature	110°C Max (Ambient temperature of soldering surface of P.W.B)
Preheat time	60s, Max
Area of flux	1/2 Max of PWB Thickness
Temperature of solder	260±5°C
Time of immersion	Within 5s
Number of soldering	2time Max (But should down heat of the first soldering)
Printed wiring board	Single side copper-clad laminates

- (1) After switches were soldered, please be careful not to clean switches with solvent
- (2) Under the condition of using soldering iron, soldering temperature shall be 350°C max within 3 sec.

11.2 Notes

- (1) Please be cautious not to give excessive static load or shock to switches.
- (2) Please be careful not to stack up P. W. B. after switches were soldered.
- (3) Preservation under high temperature and high humidity or corrosive gas should be avoided Especially.
When you need to preserve for a long period, do not open the carton.
- (4) Products meet the ROHS & REACH environmental management substances control standards.