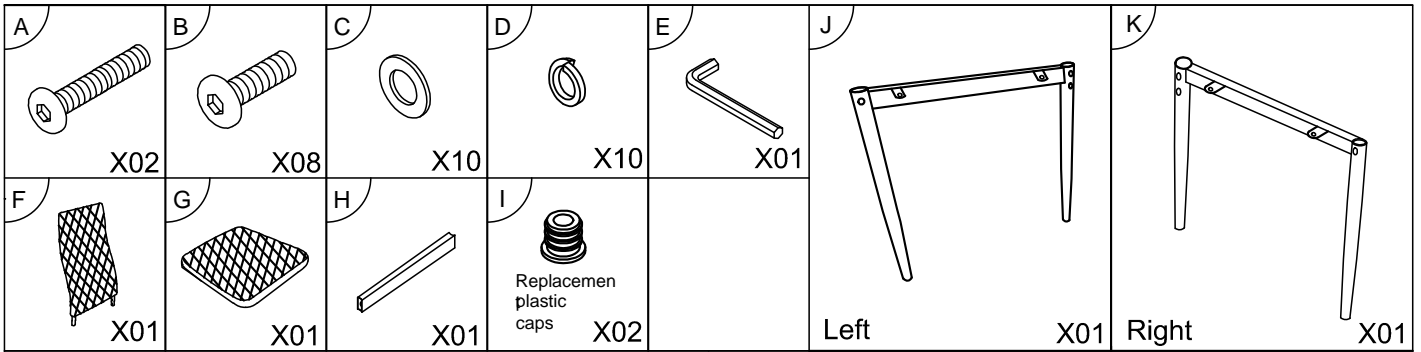
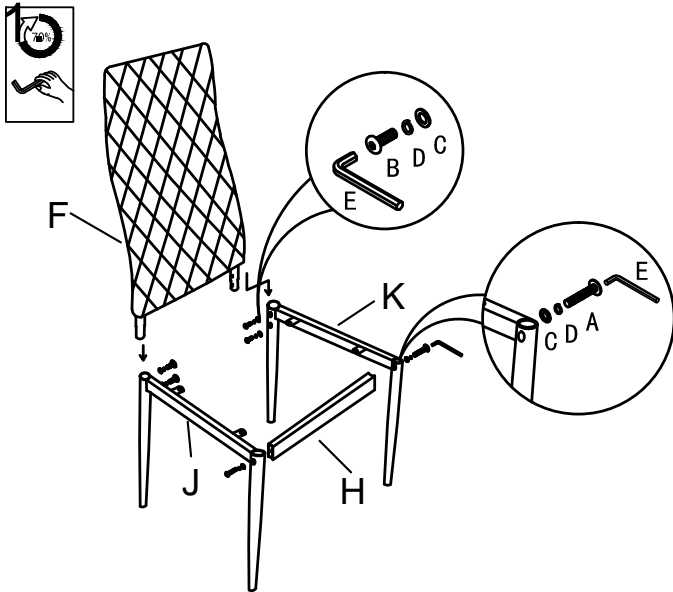


# ASSEMBLY INSTRUCTION

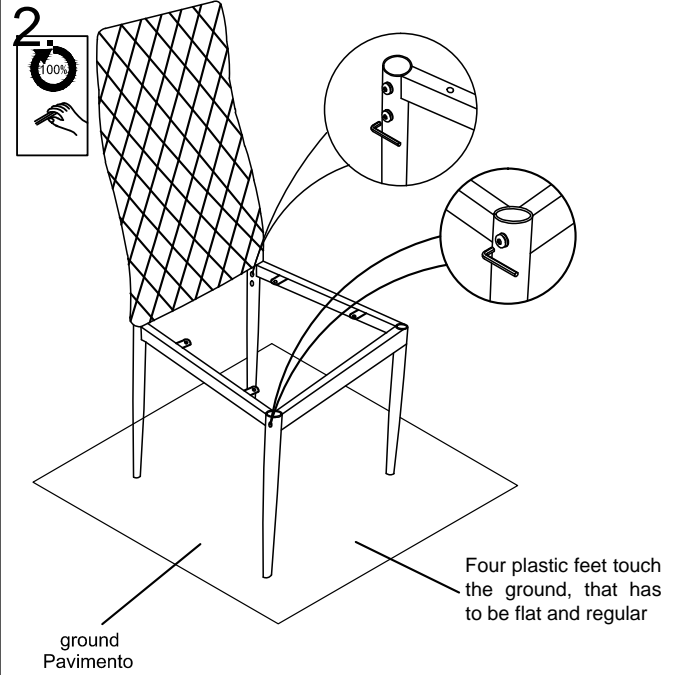


## STEP 1

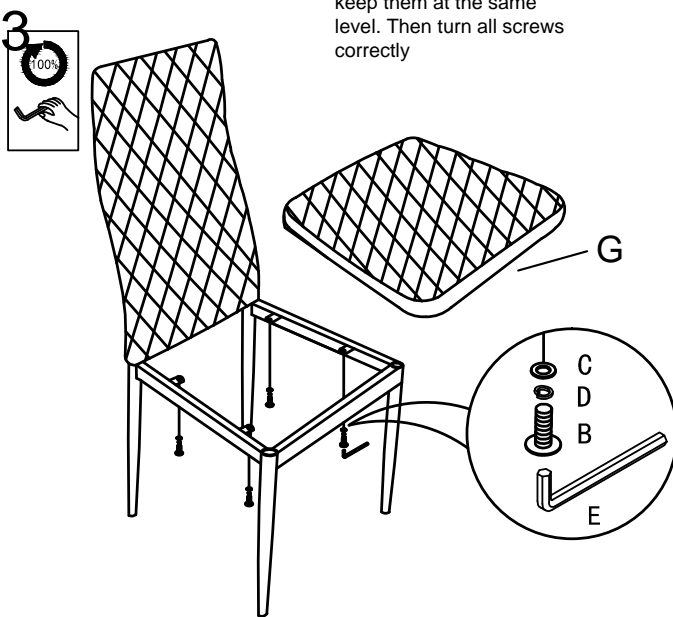


Note: Don't turn all screw completely. Turning 70% is enough in this phase.

## STEP 2

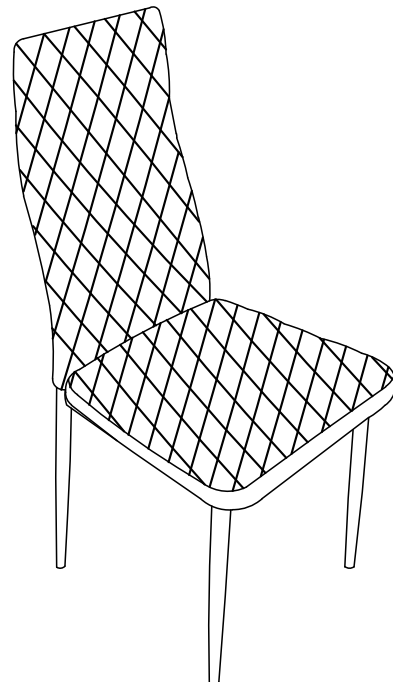


## STEP 3



Note: Adjust four legs to keep them at the same level. Then turn all screws correctly

## STEP 4



**Note:** We recommend that you do not use high-power electric tools to assemble the chair. There are installation tools in the package accessories that can be used. Chairs cannot be stacked, please don't believe it and try to stack the chairs together.