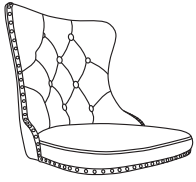
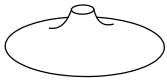


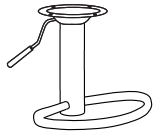
A*1



E*1



B*1



F*4



C*1



G*1

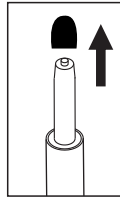


D*1



1

Remove the cover

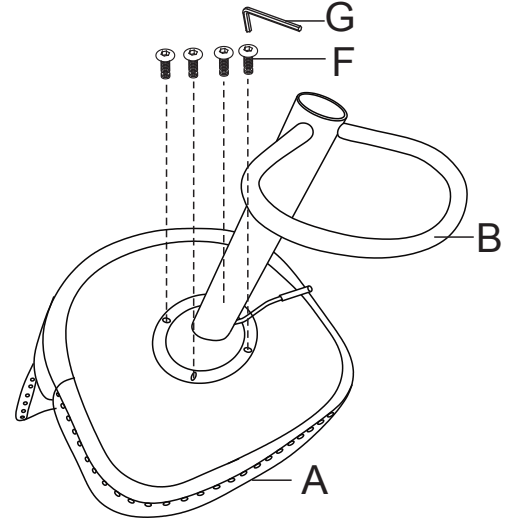


C

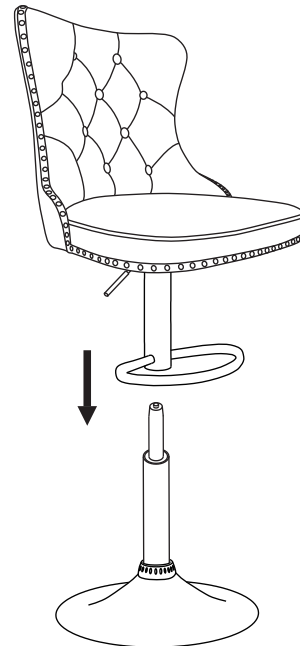
D

E

2



3



4

