






Compost Bin Assembly

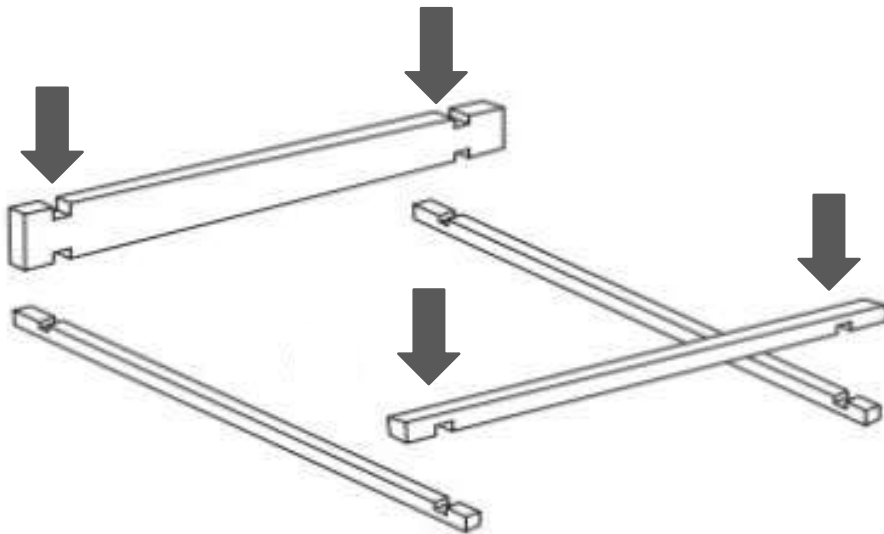
| | | |
|---|-----|---|
|  | x12 | <p>Tools Required</p> <ul style="list-style-type: none">● Cross Head Screwdriver● Rubber/Soft Mallet |
|  | x12 | |
|  | x4 | |
|  | x2 | |
|  | x14 | |

Need help? Contact us by email: cs@tulipy.co.uk

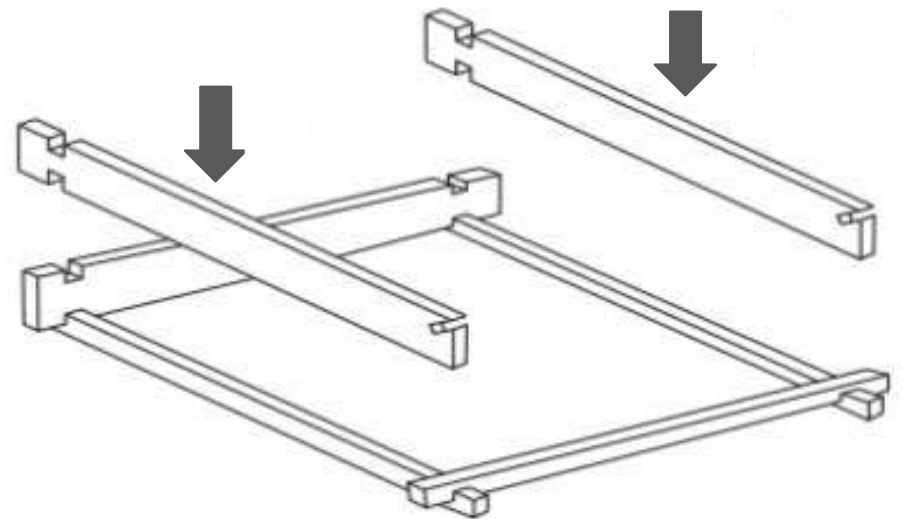
Compost Bin Assembly

Woven Wood
tulipy

Step 1: Lay out the base sections



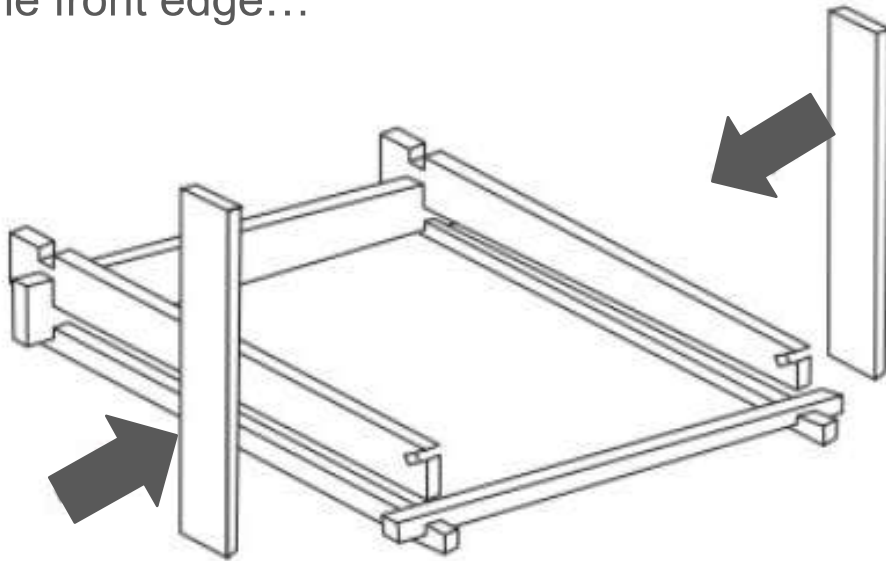
Step 2: Place 2 of the side sections, with the angled slot at the front



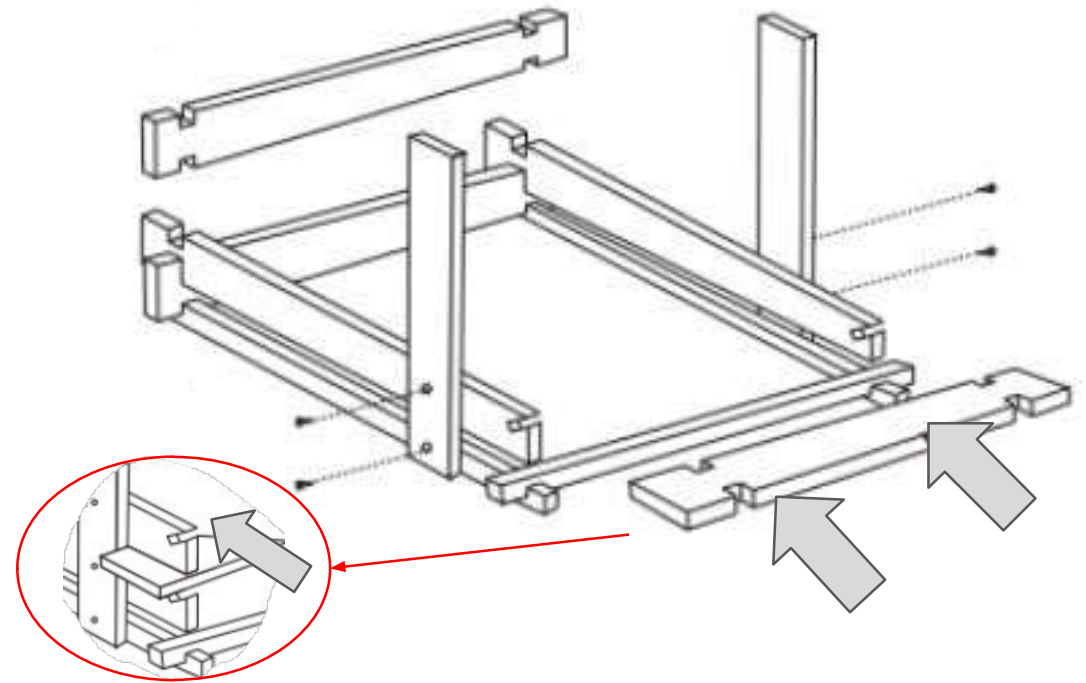
Compost Bin Assembly

Woven Wood
tulipy

Step 3: Position the 2 upright sections on the left & right approx 10-15 cm from the front edge...



Step 4: Attach the uprights using 1 screw for each section added, you can use one of the slats as a spacer at the front while you tighten the screws...



Compost Bin Assembly

Woven Wood
tulipy

Step 5: Continue to repeat steps 2 & 4 until the last sections have been screwed in place. The front slats can then be inserted into the slots and start adding your compost!

