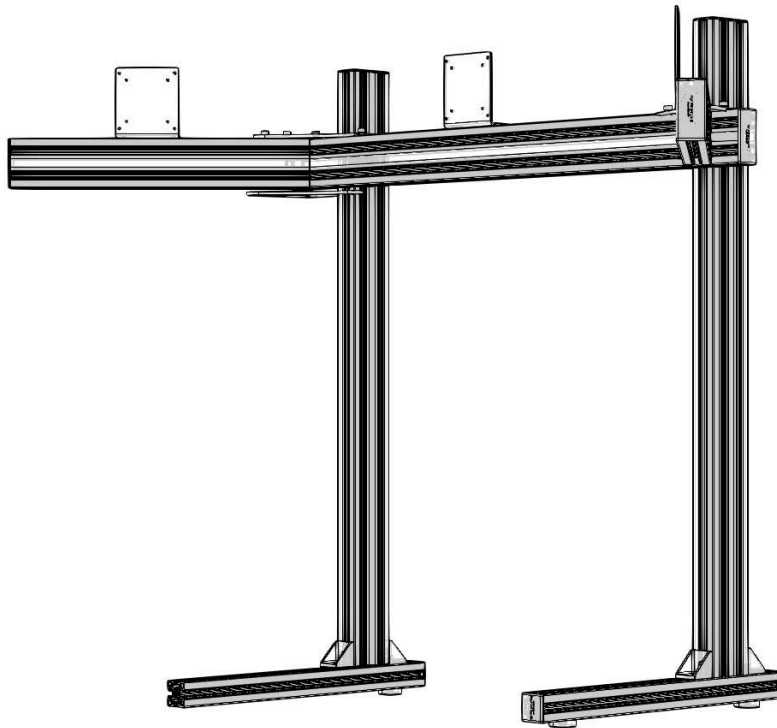




Phantom Series

Pro Freestanding Triple Monitor Mount

Assembly Instructions



Our Support Team is here for you.

Feel free to reach out to us and we will be happy to help.



Email



Web Chat



Skype



WhatsApp



Messenger

Address : Info@allin1gaming.com



Unboxing

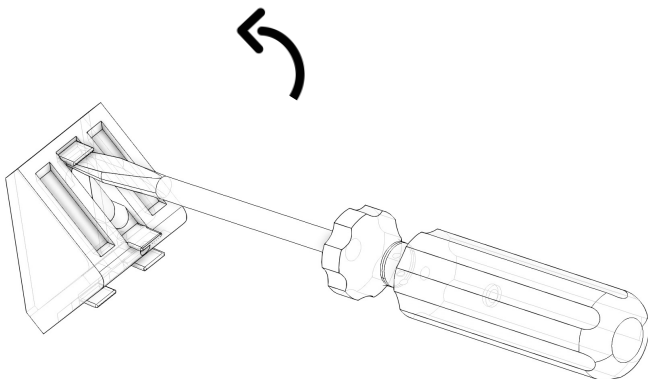
- Open every box first. Each group or section of the whole of a whole was seperatley packed.
- Consider placing the flattened cardboard boxes on the floor under your components to prevent them from getting scratched during assembly.
- As you discard the packaging, be careful to not accidentally throw a part away. Please recycle as much as possible.

Tips

- You can slide T-nuts in from the end of an extrusion or insert them anywhere along the length of the extrusion—no need to dismantle to insert a T-nut.
- T-nuts work similarly regardless of their orientation. No need to orient them in the same direction inside the T-slot.
- Tighten fasteners with your fingers first and leave them slightly loose until you've finished assembling a sub-section. Once you've completely assembled your machine (or a sub-assembly), tighten it all up.

Corner Brackets

Tabs on the corner brackets may need to be removed if they are perpendicular to the extrusion they are placed on. In this case they won't lie flatly on the extrusion. This can be done by placing a flathead screwdriver behind the tab and tilt upwards away from your body.

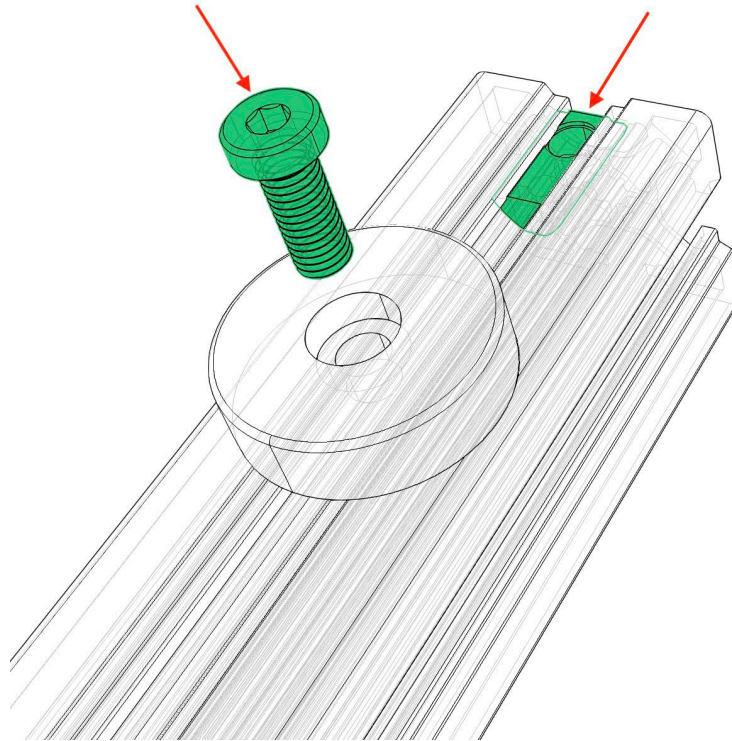


The assembly instructions will show the bottom break tab symbol on the appropriate steps where tabs need ot be broken off.

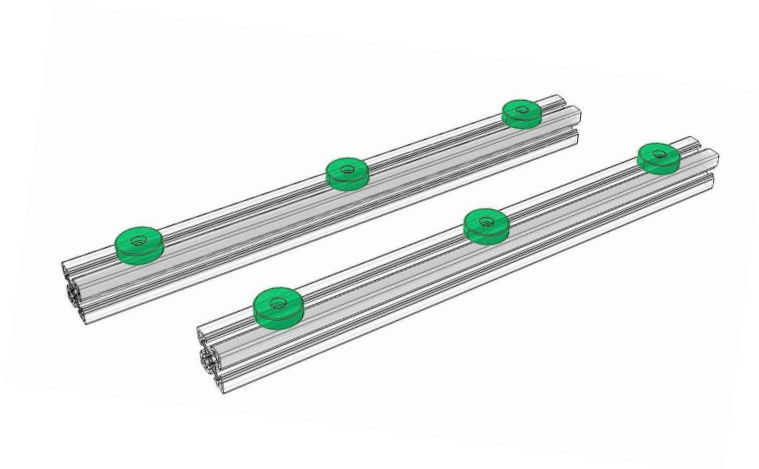




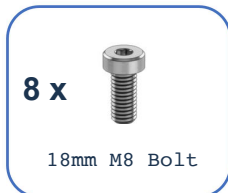
Slide 3 x T-Nuts in each Monitor Stand Foot.
Align the rubber feet over each T-Nut and secure tightly using an M8 18mm bolt.



Repeat the above step for all 6 positions as below.

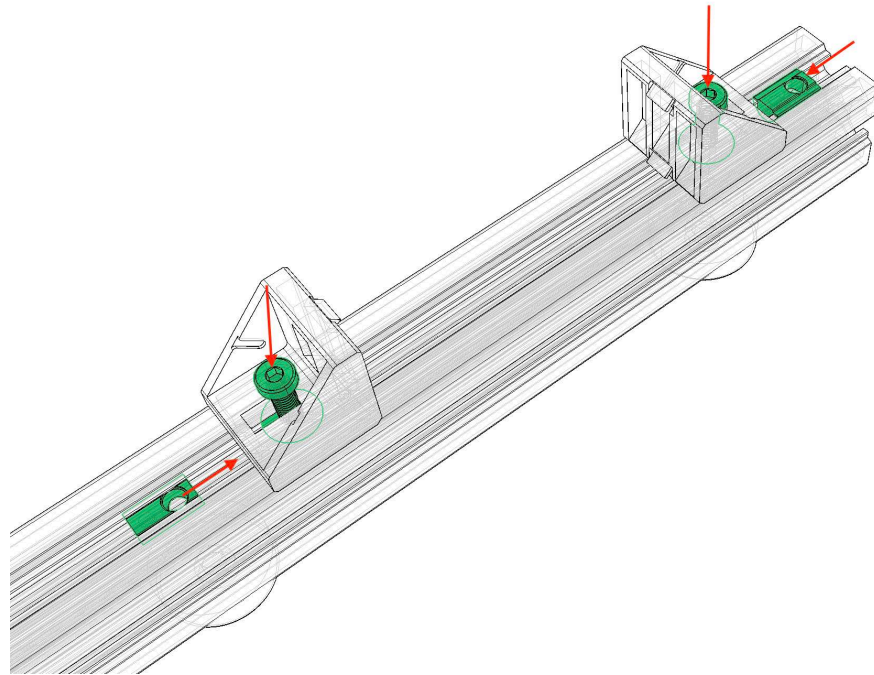


Parts in this step:

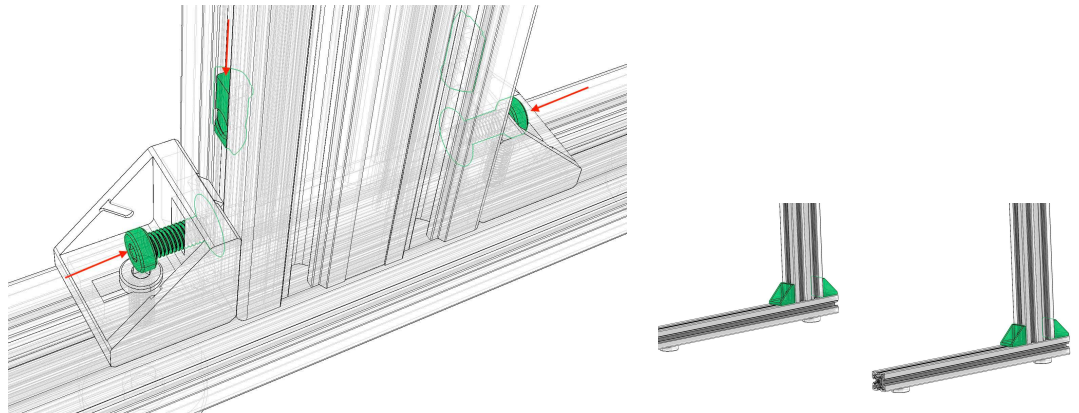




Slide 2x T-Nuts in the Monitor Mount Foot. Align corner brackets over each T-Nut and secure feet tightly using an M8 16mm bolt. Leaving slightly more than 1.5 inches of space in between the 2 brackets. The bracket setup should be around 1.5 inches from the edge of the foot.

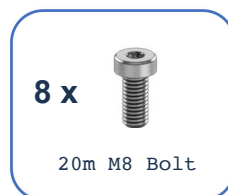
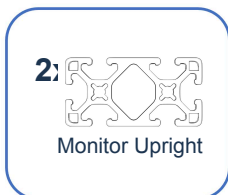


Attach the monitor stand uprights to the feet using bracket on both sides of the Upright. Make sure that the brackets are flush against all profiles.

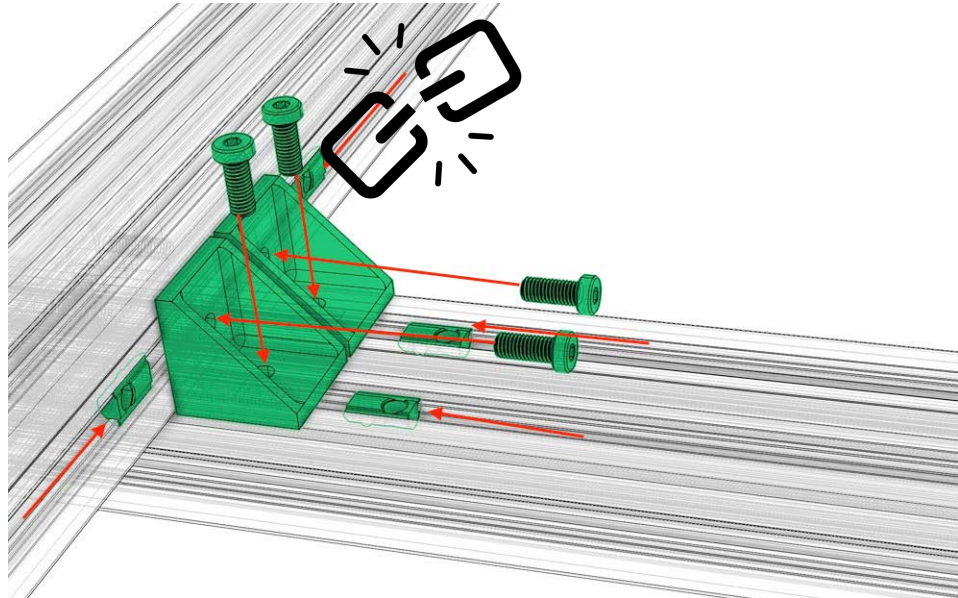


Repeat steps above for both sides.

Parts in this step:



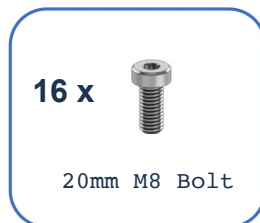
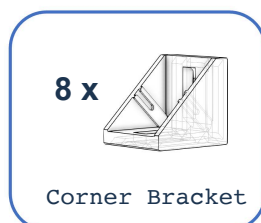
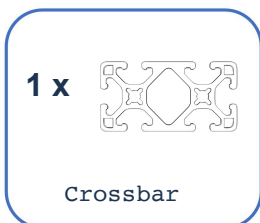
Attach the Crossbar to each side of the Upright at about 3/4 height of the Uprights (see photo below) This height can always be adjusted later. The tabs of bracket that attach to the Upright side must be broken off.



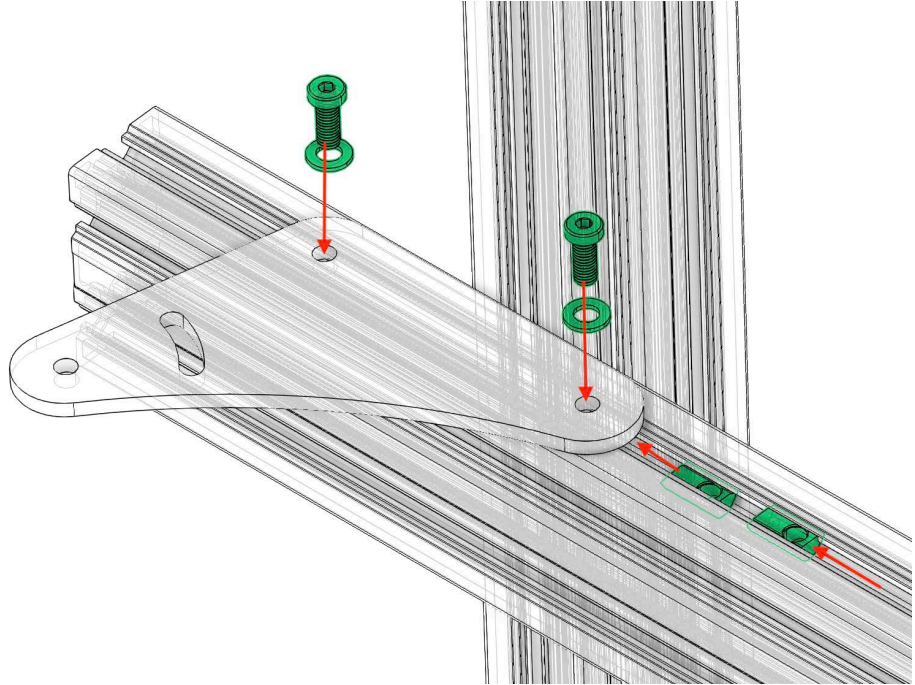
Repeat Step for all Corner



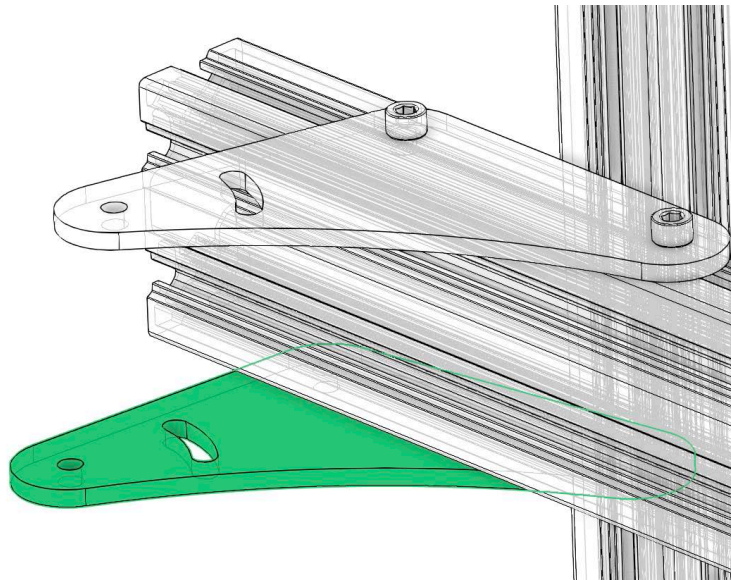
Parts in this step:



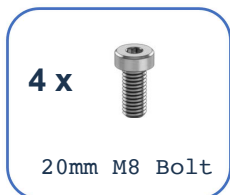
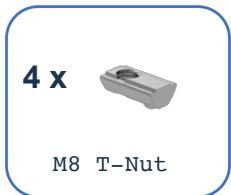
Slide T-nuts on the ends of the Crossbar and secure the Pivot Plate with a washer and M8 20mm bolt.



Repeat for the underside and the opposite side of the Crossbar as well.

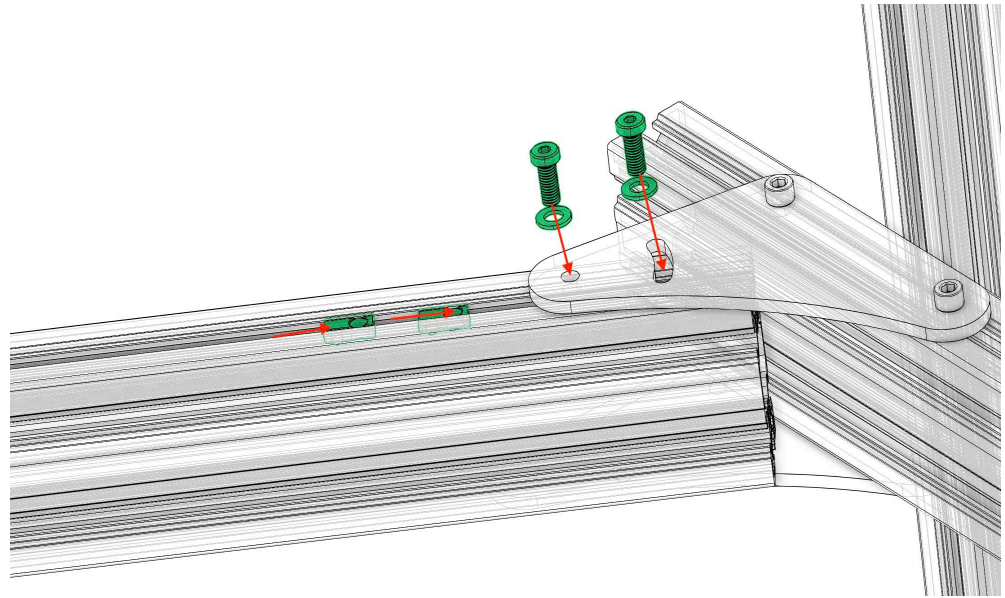


Parts in this step:

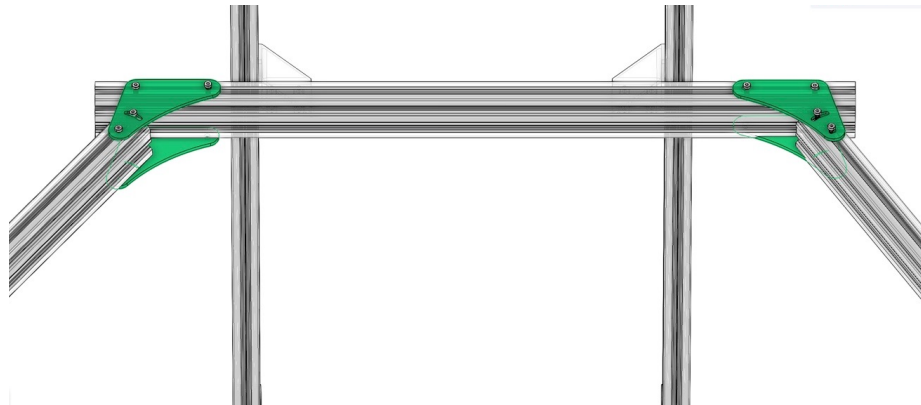




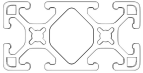
Attach the Side Monitor Profile to the assembly by securing it to the pivot plates with an M8 washer and a 20mm bolt.




Repeat for the underside and the opposite side of the Crossbar as well.




Parts in this step:

2 x 
Side Mount

12 x 
M8 T-Nut

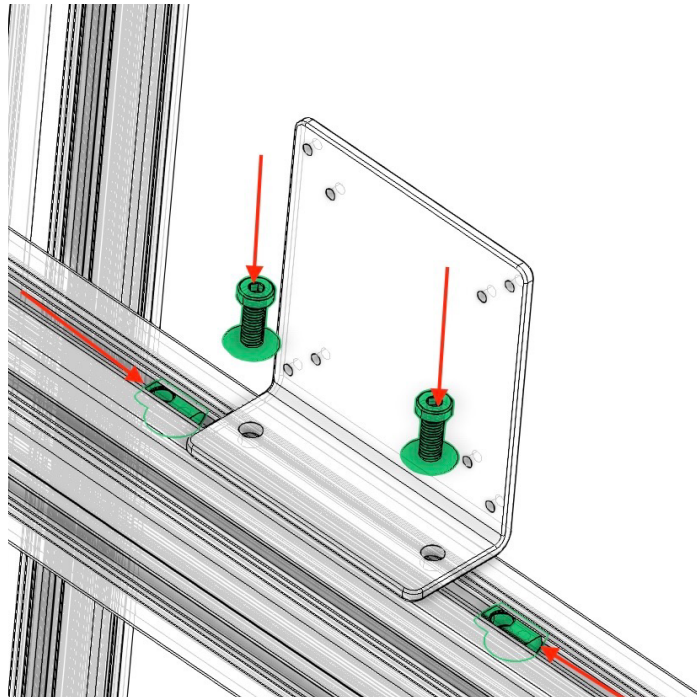
12 x 
20mm M8 Bolt

2 x 
Pivot Plate

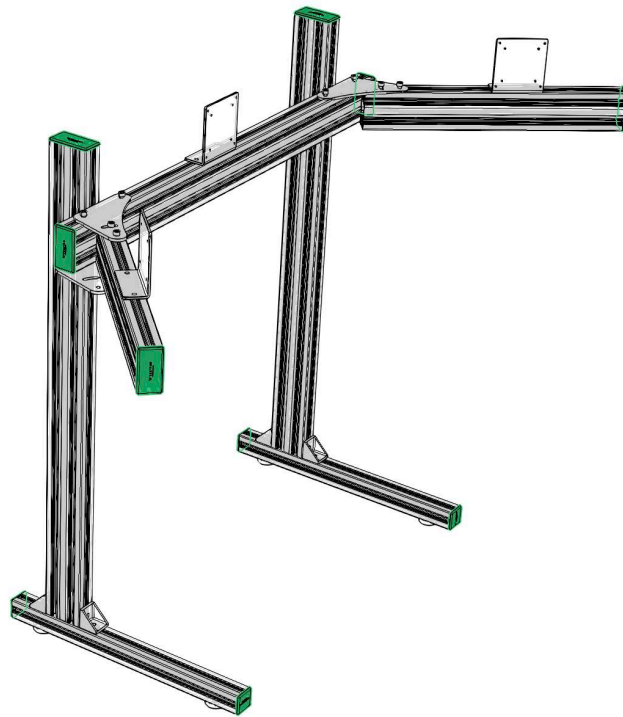
8 x 
M8 Washer



Install VESA Mounts x 3 by securing the VESA plate with an a washer, M8 18mm bolts and into a T-Nut.



Add end caps and adjust height and angles to best suit your setup.



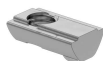
Parts in this step:

6 x



M8 18mm

6 x



M8 T-NUT

6 x



M8 Washer