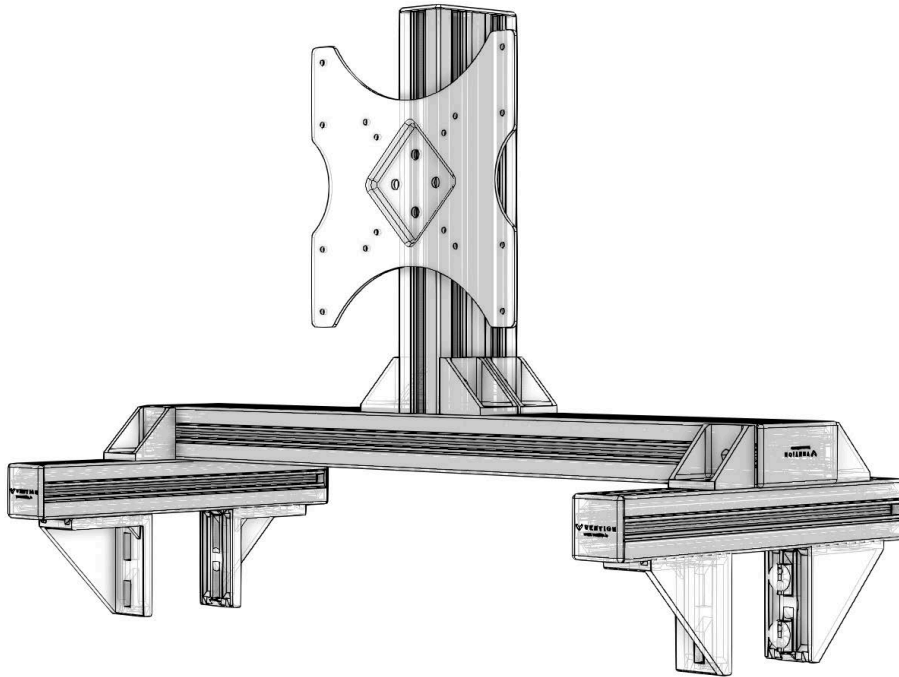


Pro Series Single Monitor Mount

Assembly Instructions



Your pit crew is here to support you.



allin1gaming.com/support
support page



info@allin1gaming.com
email our team

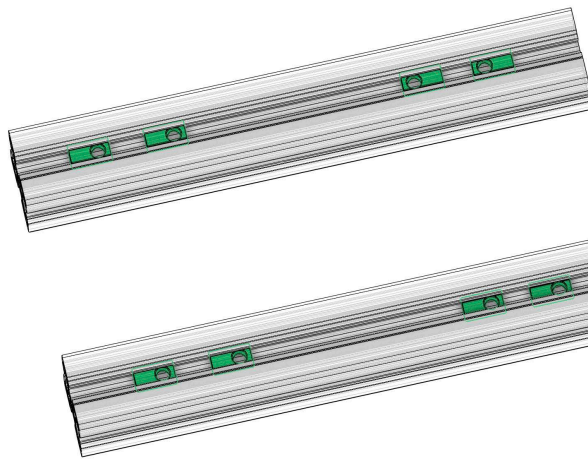


Skype Us
allin1gaming



allin1gaming.com
chat with a live agent

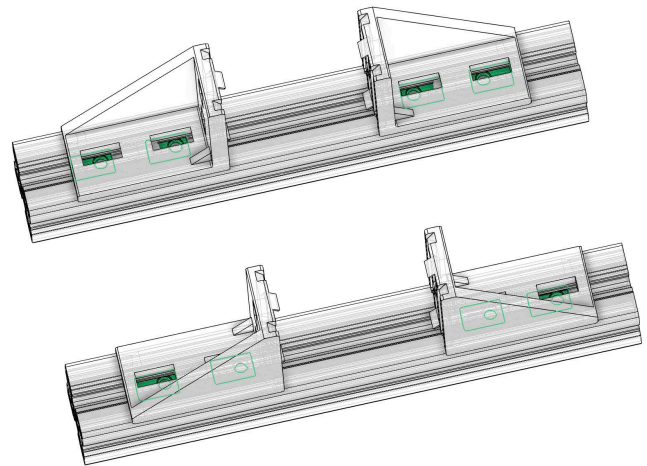
1



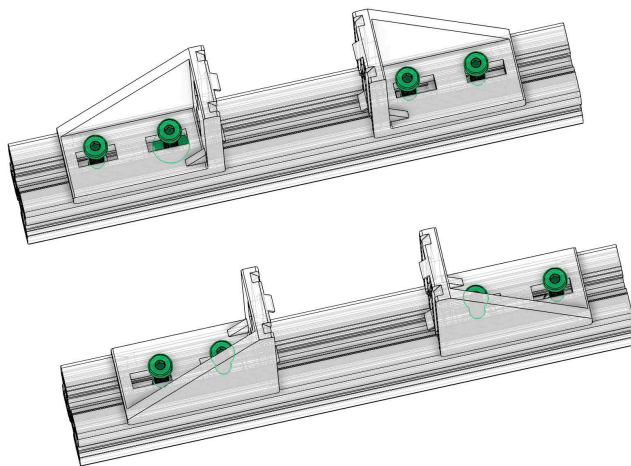
Inset t-nuts

2

Place 45x90 Brackets over t-nuts. Leave 90mm spacing between the brackets.



3

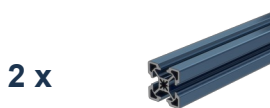


Use 20mm bolts to secure.

hint: leave slightly loose.



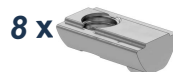
Double Corner Bracket



Monitor Mount Rails

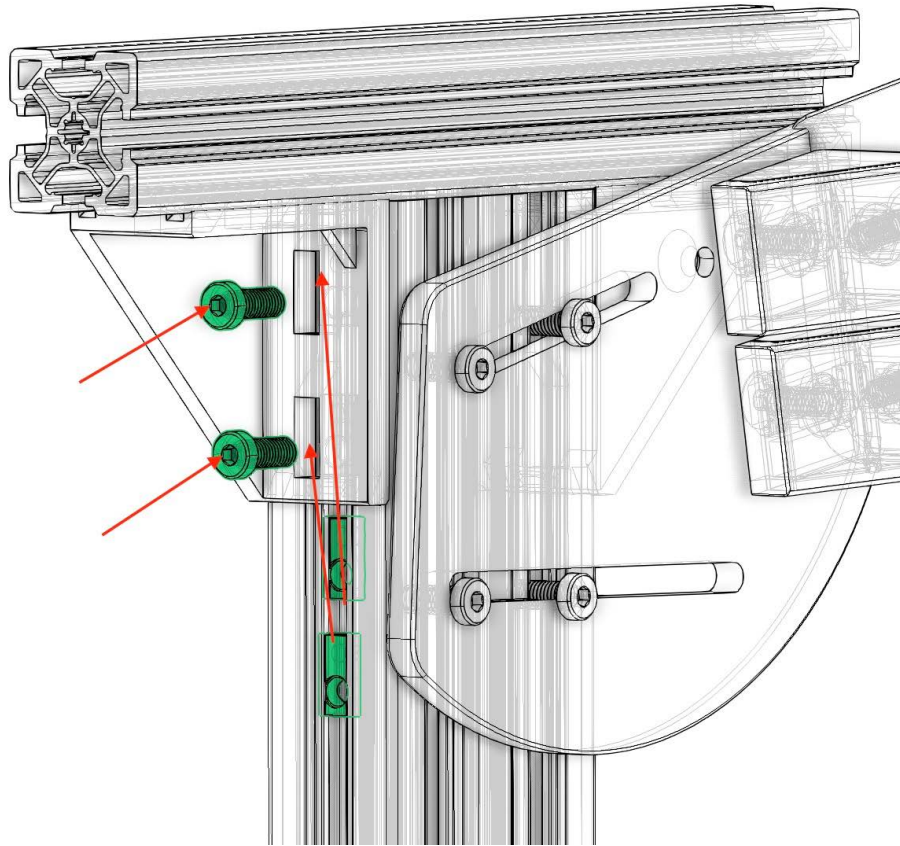


20mm M8 Bolt

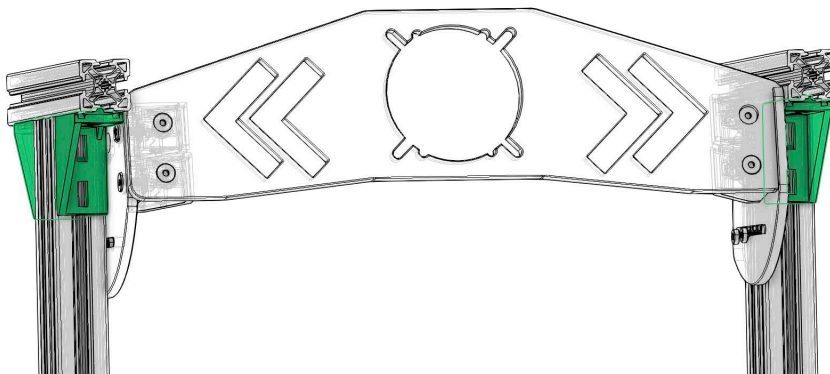


M8 T-Nut

1



2



Repeat Step 1 for 3 remaining corners

16 x



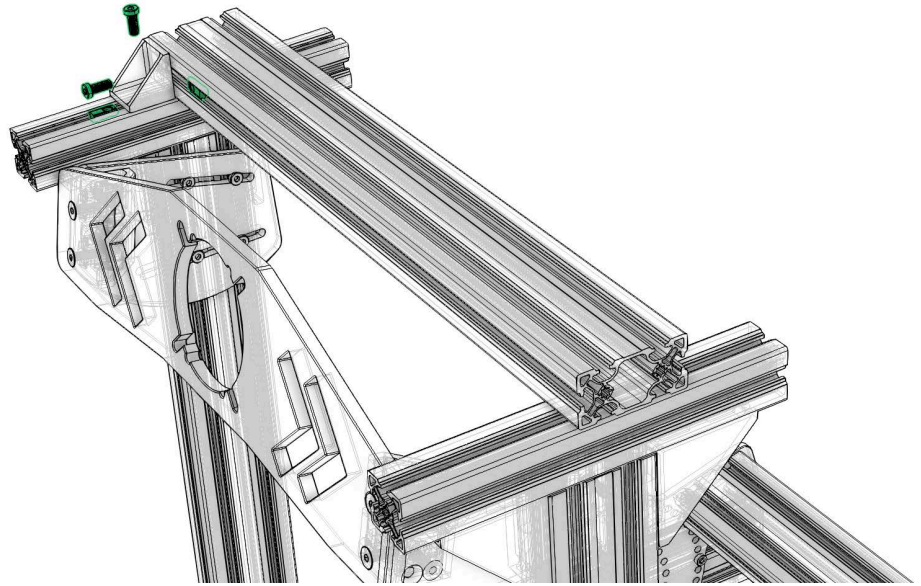
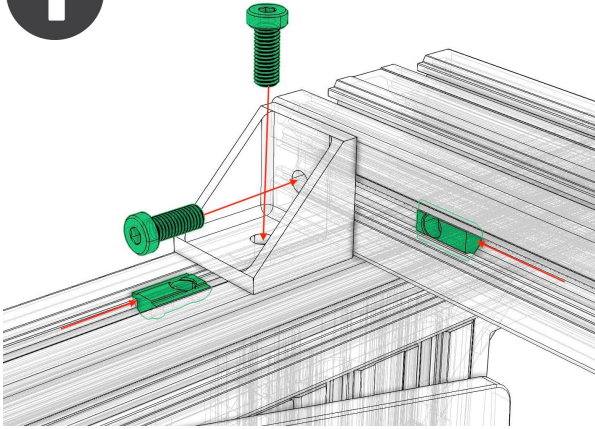
M8 T-Nut

8 x

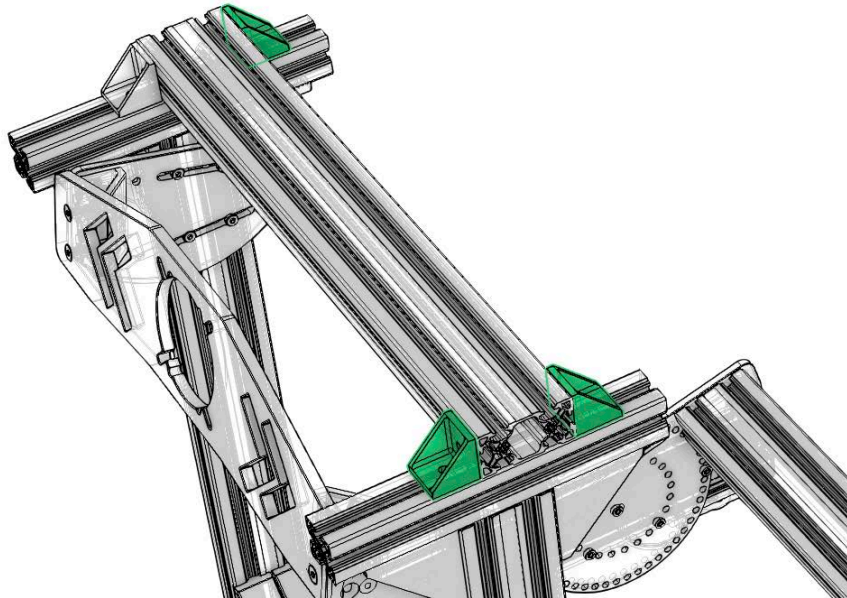


20mm M8 Bolt

1



2



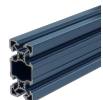
Repeat Step 1 for 3 remaining corners

4 x



4545 Corner Bracket

1x



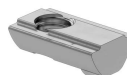
Crossbar

8 x



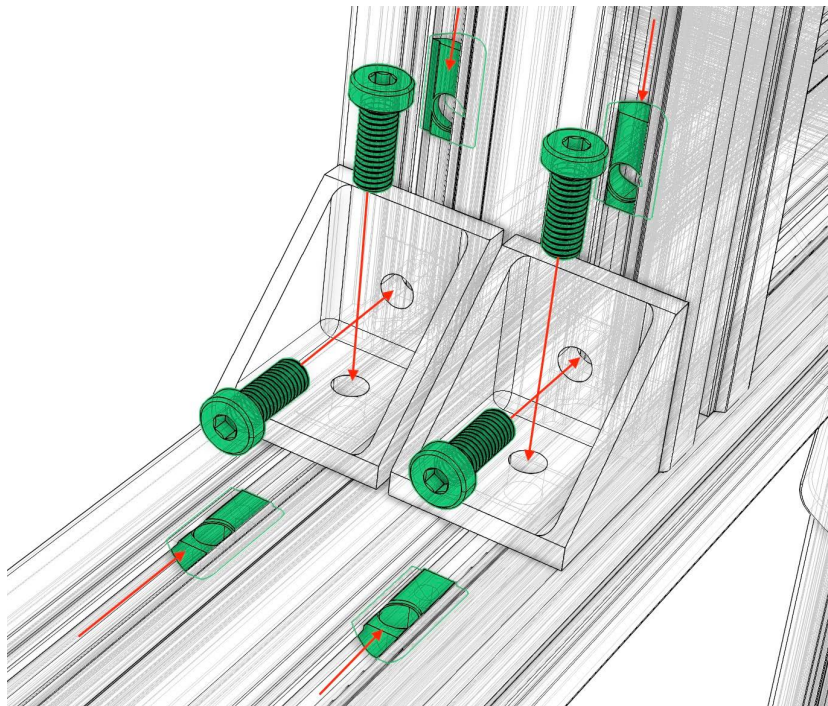
20mm M8 Bolt

8 x



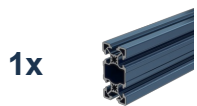
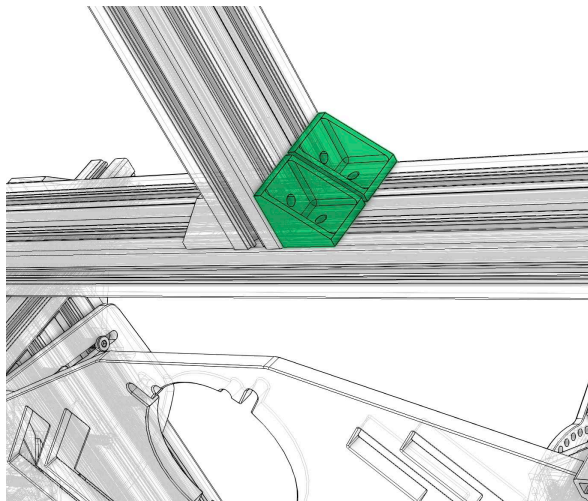
M8 T-Nut

1



2

REPEAT STEP 1 FOR OPPOSITE SIDE



Upright Profile

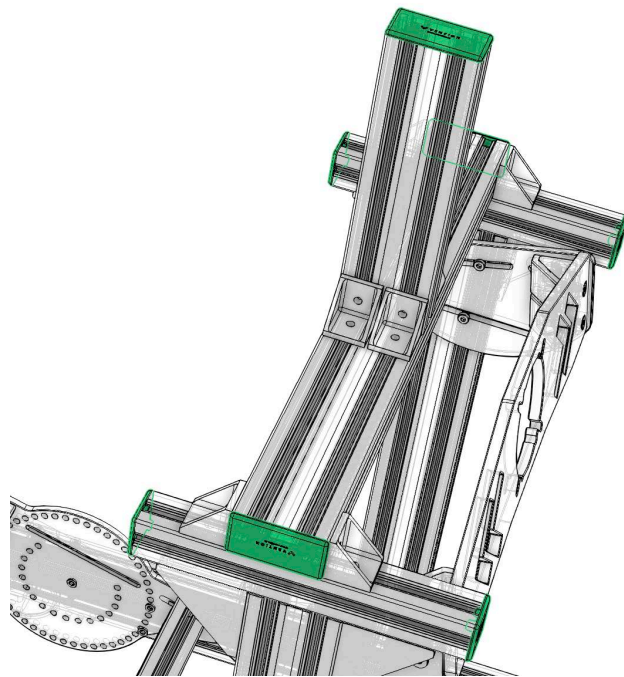
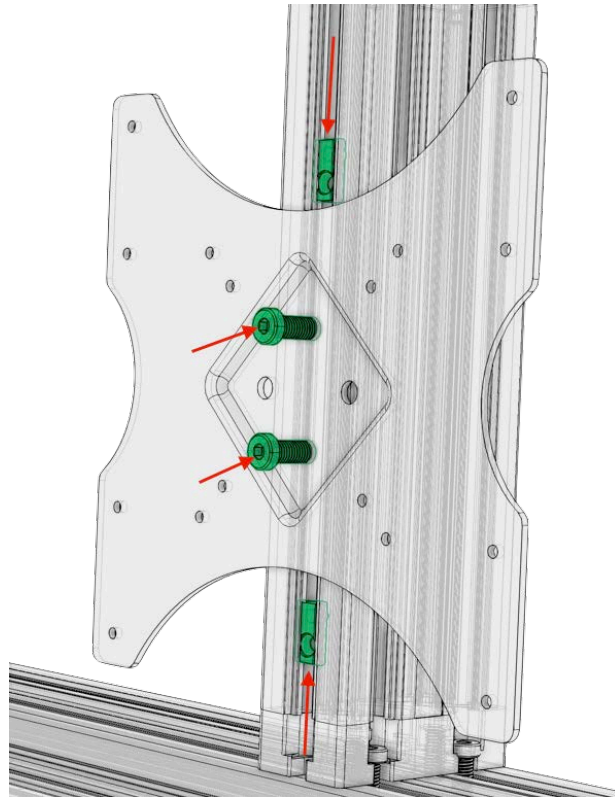


M8 T-Nut



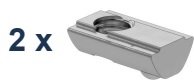
M8 20mm Bolt

1



1 x

VESA Plate



2 x

M8 T-Nut



2 x

14mm M8 Bolt



4 x

4545 End Cap



3 x

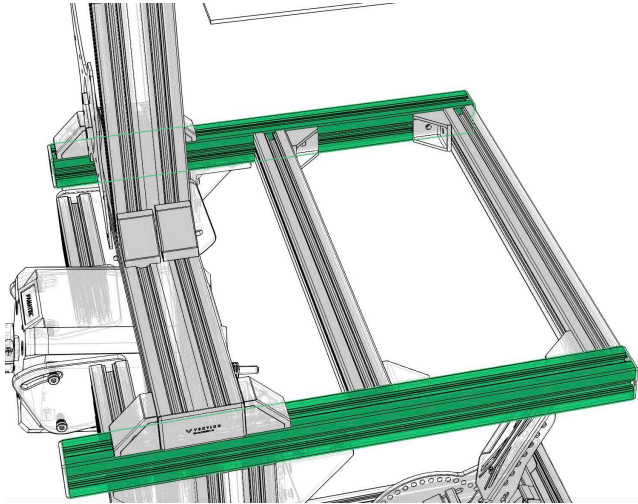
4590 End Cap

Addendum For PC Shelf

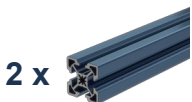
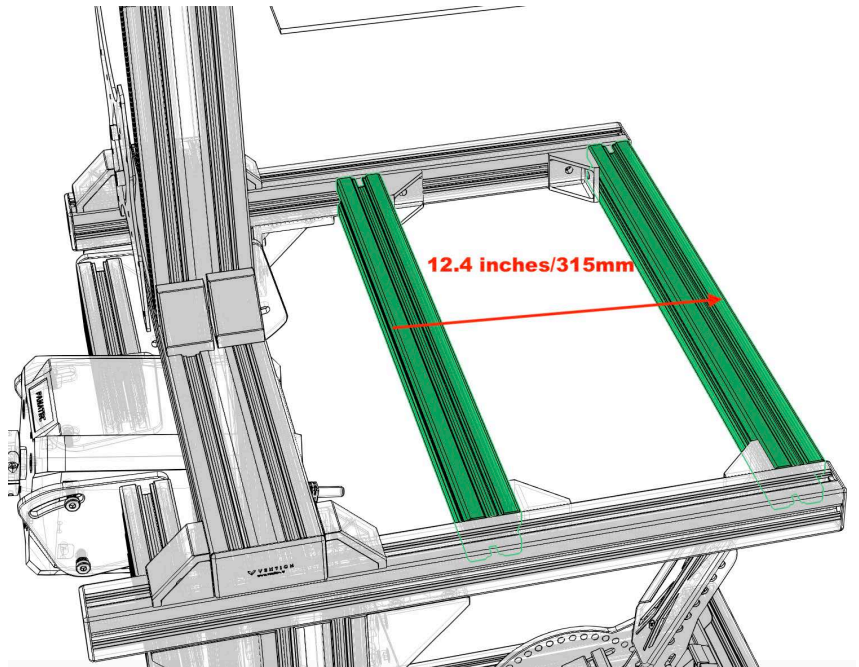
Instead of 315mm, use 585mm for the side rails.

1

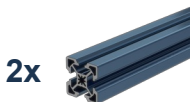
Use the standard 585mm, not the ones marked LD or light duty



Use the Light Duty or "LD" 45x45 585mm profiles here



Rail Profile



Cross Profile