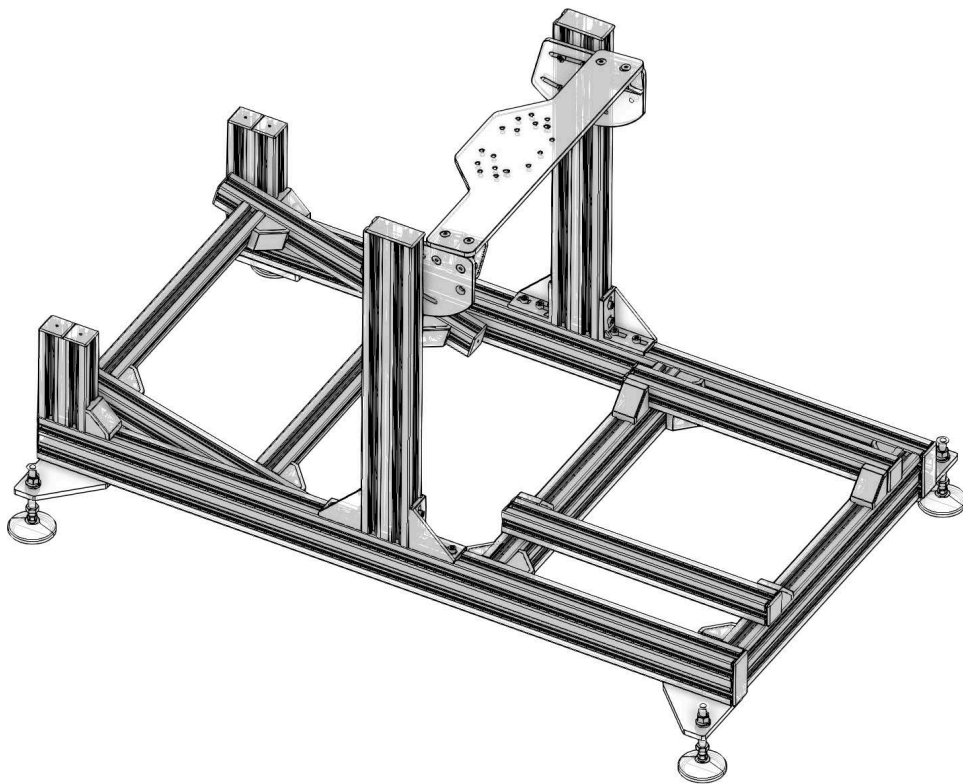




Pro Series

Phantom SE

Assembly Instructions



Our Support Team is here for you.

Feel free to reach out to us and we will be happy to help.



Email



Web Chat



Skype



WhatsApp



Messenger

Address : Info@allin1gaming.com



Unboxing

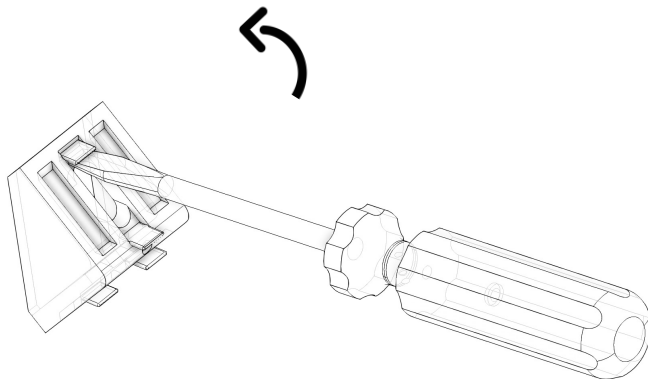
- Open every box first. Each group or section of the whole of a whole was separately packed.
- Consider placing the flattened cardboard boxes on the floor under your components to prevent them from getting scratched during assembly.
- As you discard the packaging, be careful to not accidentally throw a part away. Please recycle as much as possible.

Tips

- You can slide T-nuts in from the end of an extrusion or insert them anywhere along the length of the extrusion—no need to dismantle to insert a T-nut.
- T-nuts work similarly regardless of their orientation. No need to orient them in the same direction inside the T-slot.
- Tighten fasteners with your fingers first and leave them slightly loose until you've finished assembling a sub-section. Once you've completely assembled your machine (or a sub-assembly), tighten it all up.

Corner Brackets

Tabs on the corner brackets may need to be removed if they are perpendicular to the extrusion they are placed on. In this case they won't lie flatly on the extrusion. This can be done by placing a flathead screwdriver behind the tab and tilt upwards away from your body.

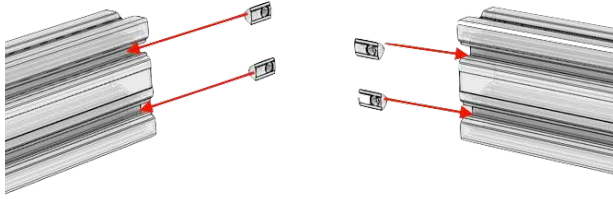


The assembly instructions will show the bottom break tab symbol on the appropriate steps where tabs need to be broken off.

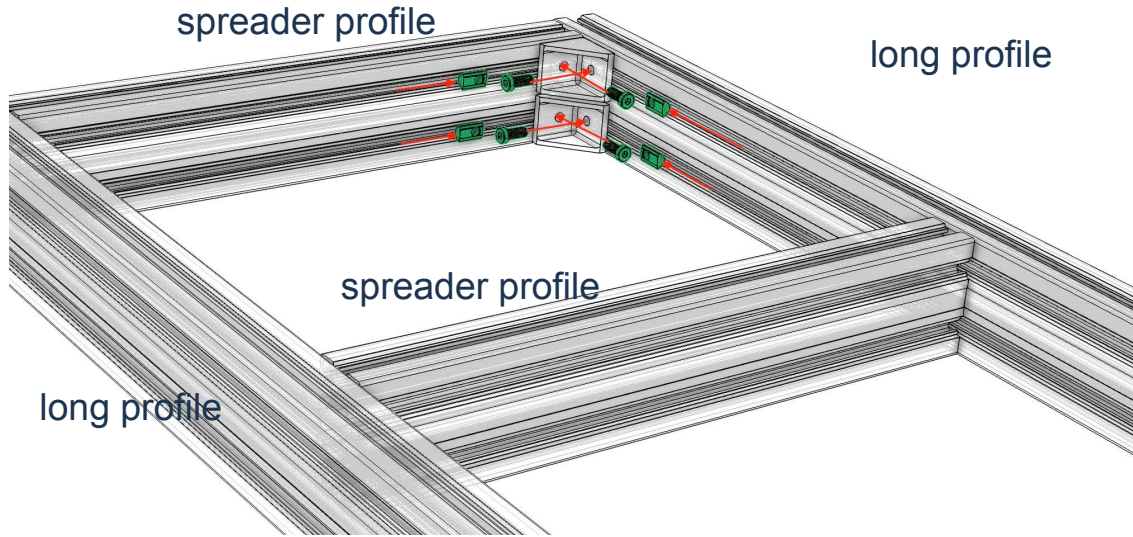




1

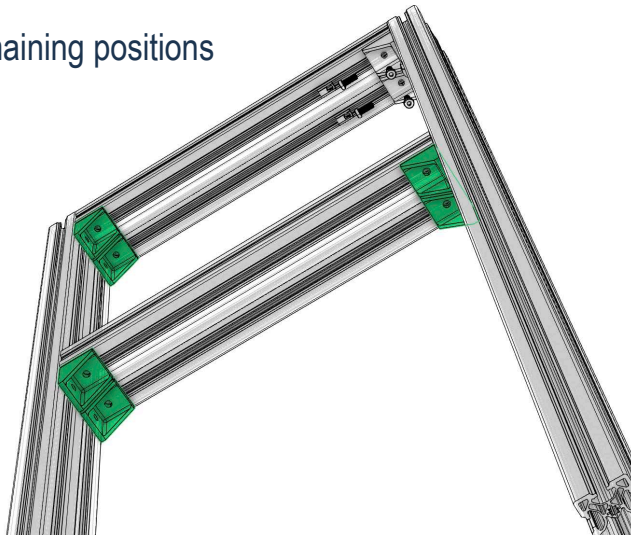


2



3

Repeat for remaining positions

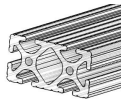


2 x



Long Profile

2x



Spreader Profile

8 x



1515 Corner Bracket

16x



16mm Bolt

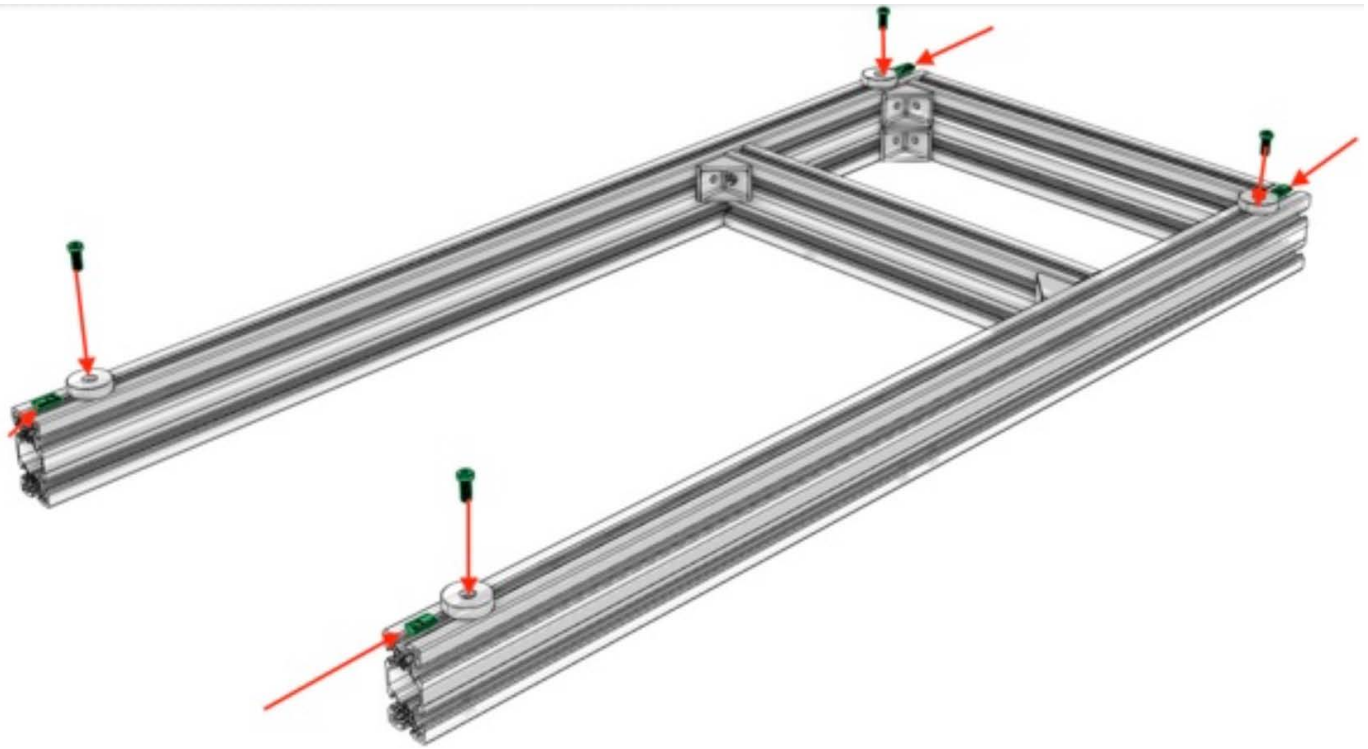
16x



M8 T-Nut



1



Rubber Feet



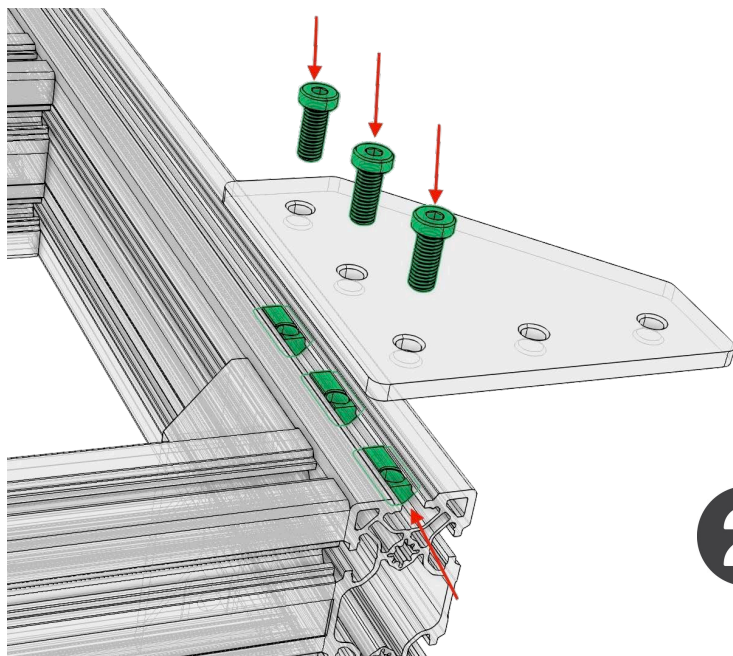
16mm Bolt



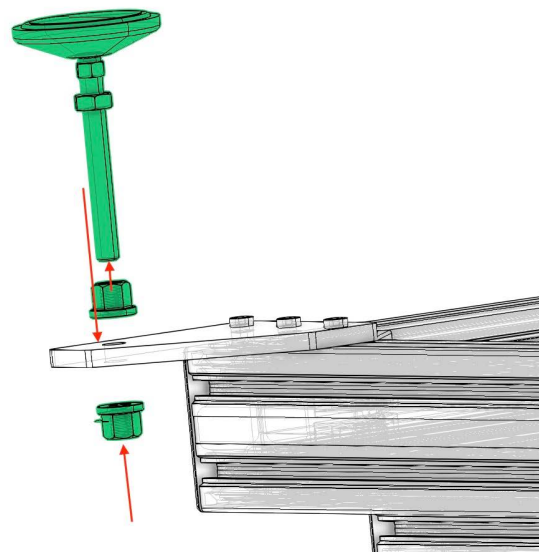
M8 T-Nut



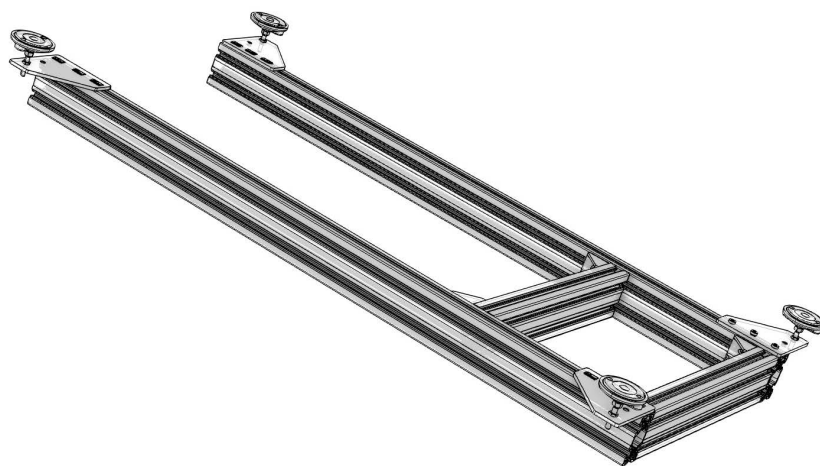
1



2



3



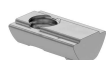
Please flip unit over to complete assembly.

4 x



BasePlate

12 x



M8 T-Nut

12 x



20mm Bolt

4 x



Leveling Foot

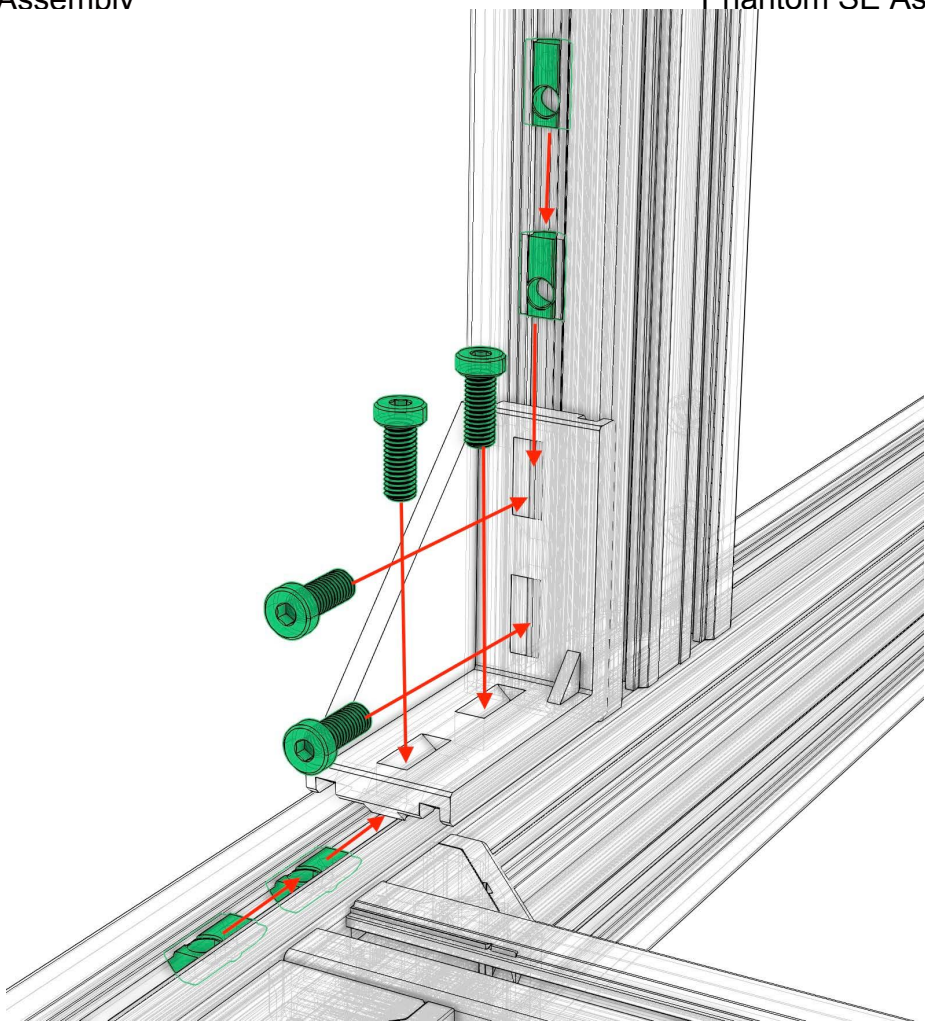
8 x



M12 Nut

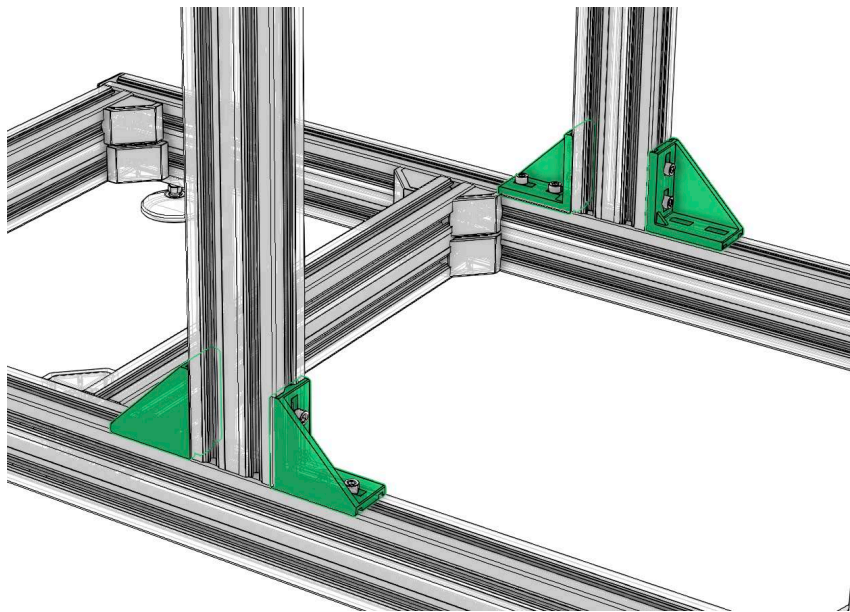


1



2

Repeat for remaining sides

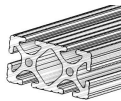


2 x



1.5x3 Corner Brackets

2 x



Wheel Uprights

16 x



20mm M8 Bolt

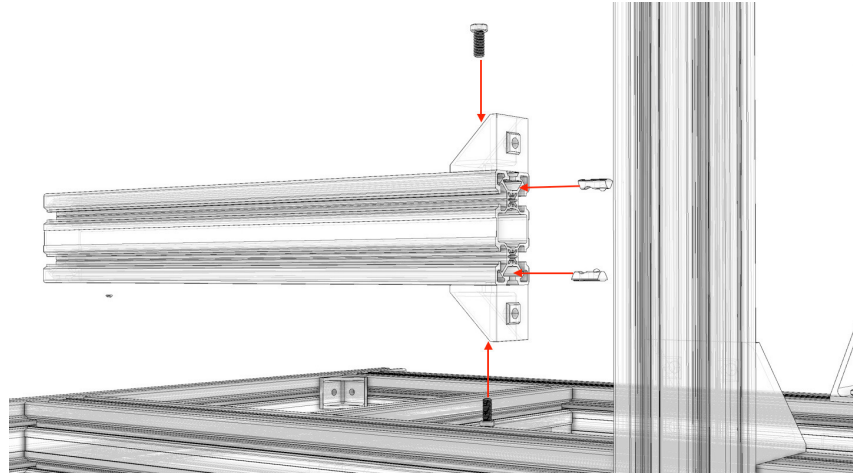
16x



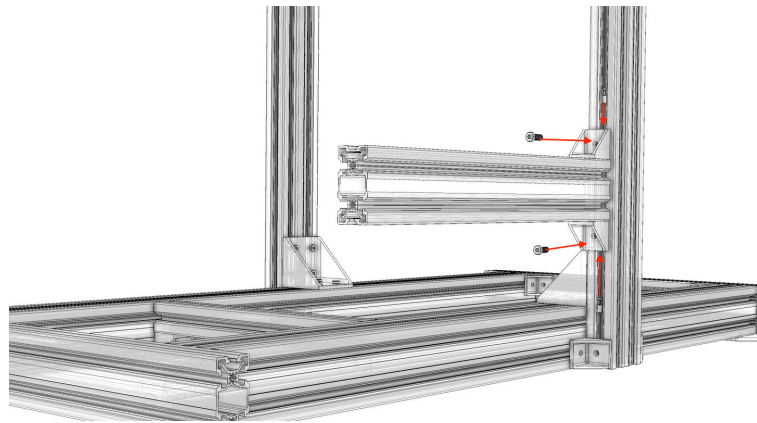
T-Nuts



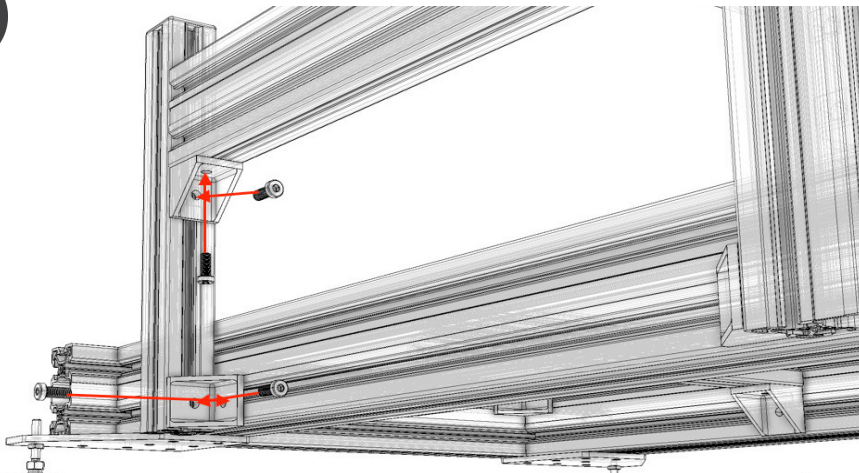
1



2



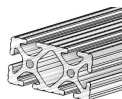
3



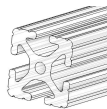
4 x



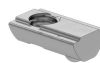
1 x



1 x



8x



8x



Corner Bracket

Side Mount

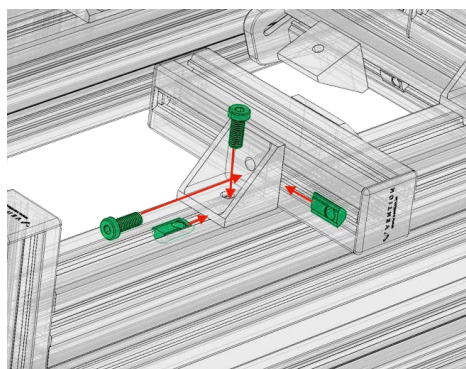
Side Mount Upright

M8 T-Nut

16mm M8 Bolt

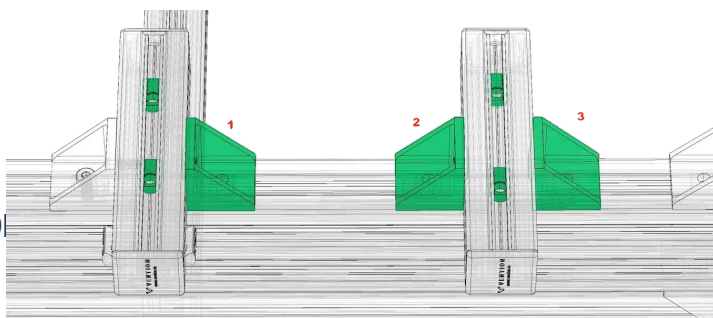


1



2

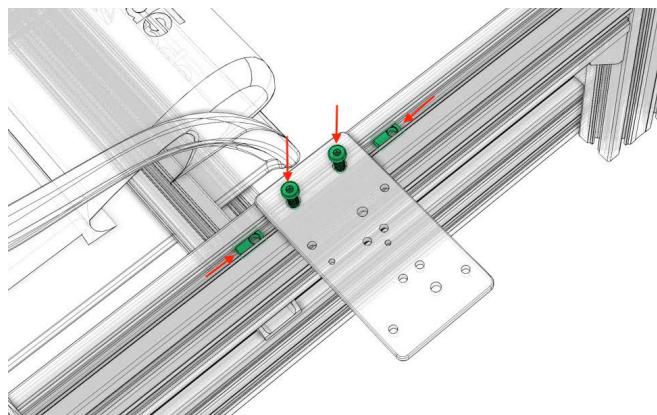
LUXE SIDE



Repeat step 1 for the remaining 4 brackets. Add 4 t-nuts into the slots of the 180mm profiles to match with the hole locations of your shifter (or other).

1

WITH SHIFTER PLATE



2 x



2 x

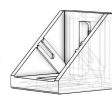


DELUXE SIDE MOUNT

2 x



4 x



8 x



8 x



Cross Profiles

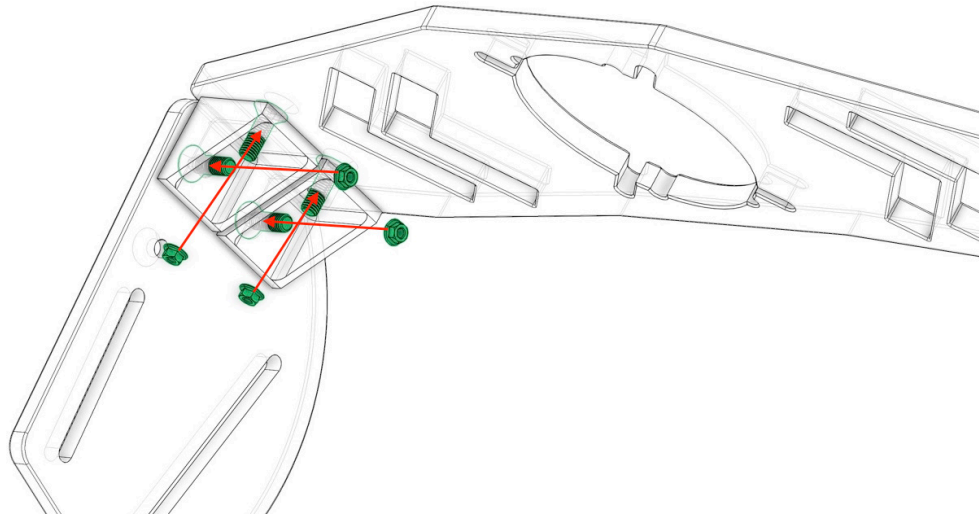
Corner Bracket

16mm M8 Bolt

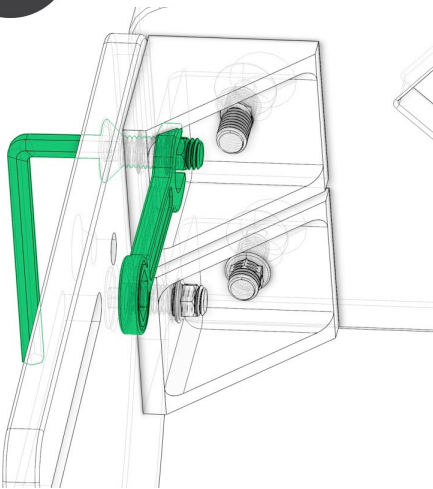
M8 T-nut



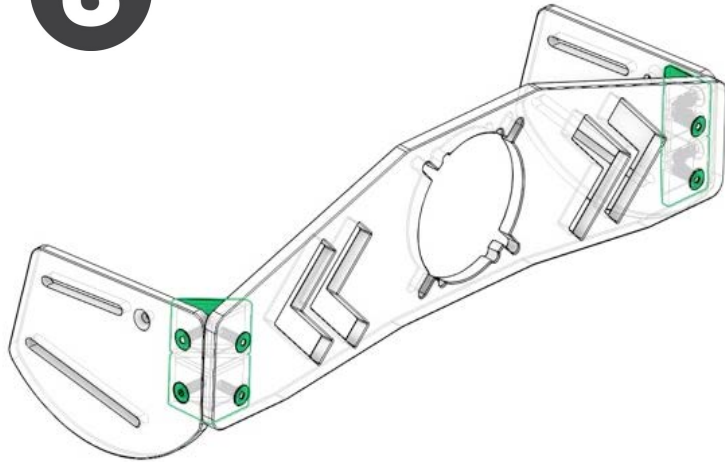
1



2



3



1 x



1 x



1 x



8 x



4 x



4 x

Side Mount Right

Side Mount Left

Front Wheel Mount

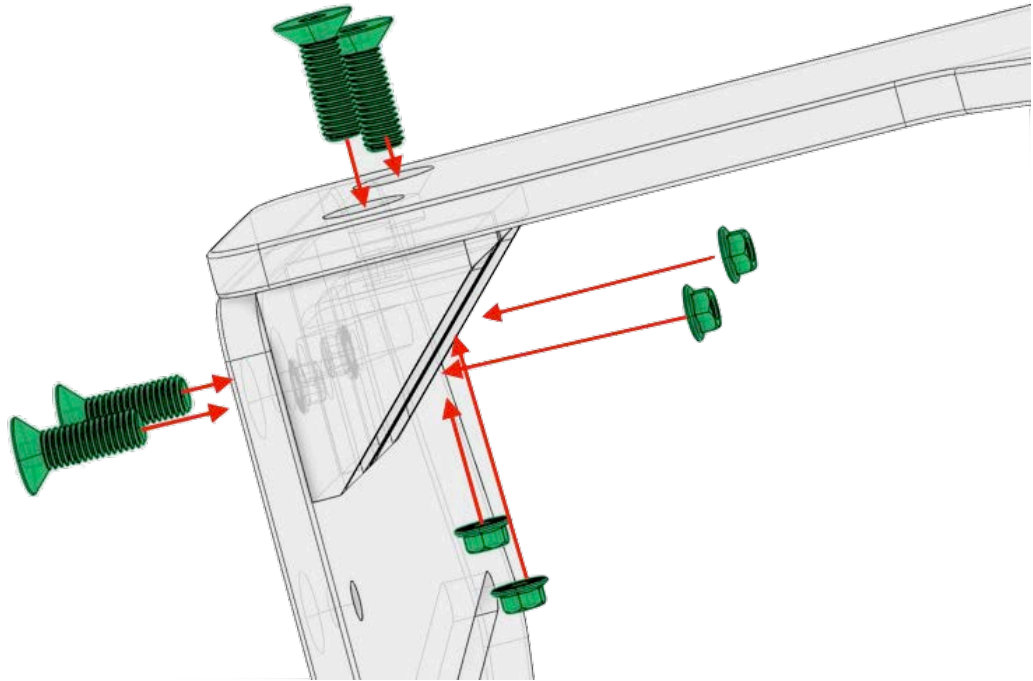
M8 Nut

30mm M8 Flathead Bolt

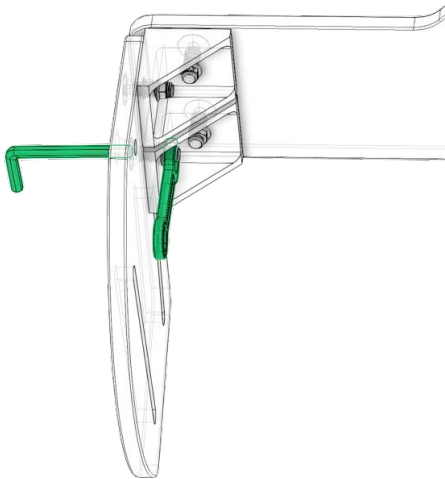
1515 Bracket



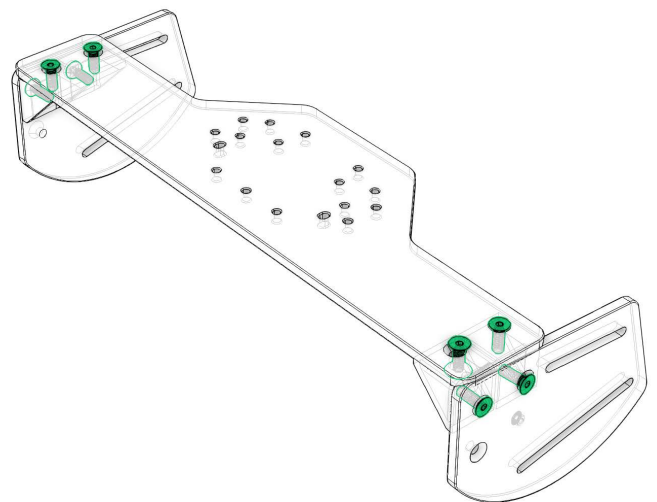
1



2



3



1 x



Wheel Deck Mount

1 x



Side Mount Right

1 x



Side Mount Left

8 x



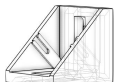
M8 Nut

8 x



30mm M8 Flathead Bolt

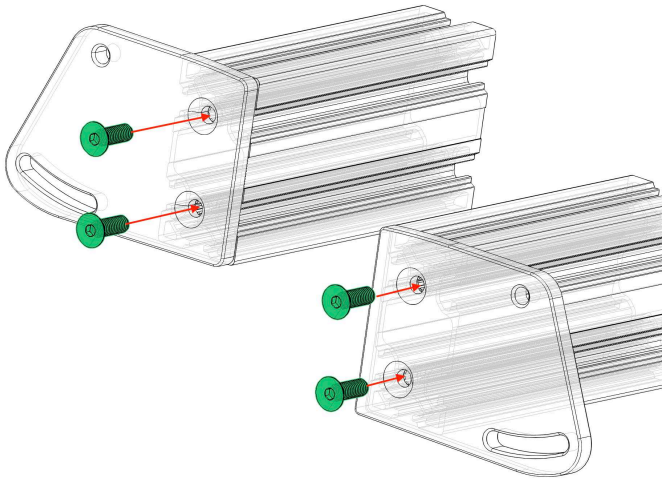
4 x



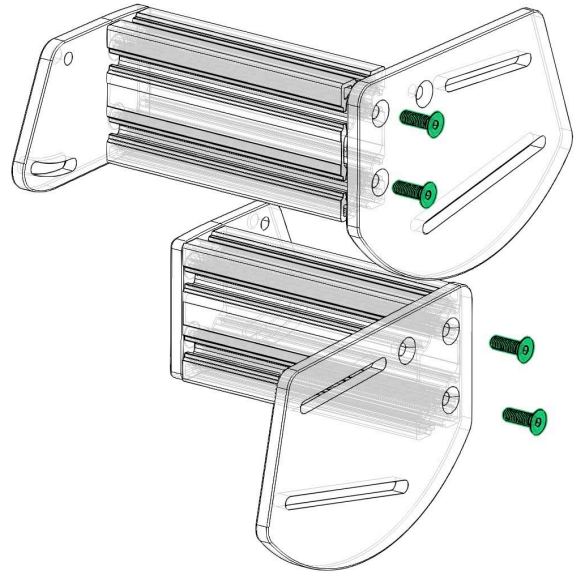
1515 Bracket



1

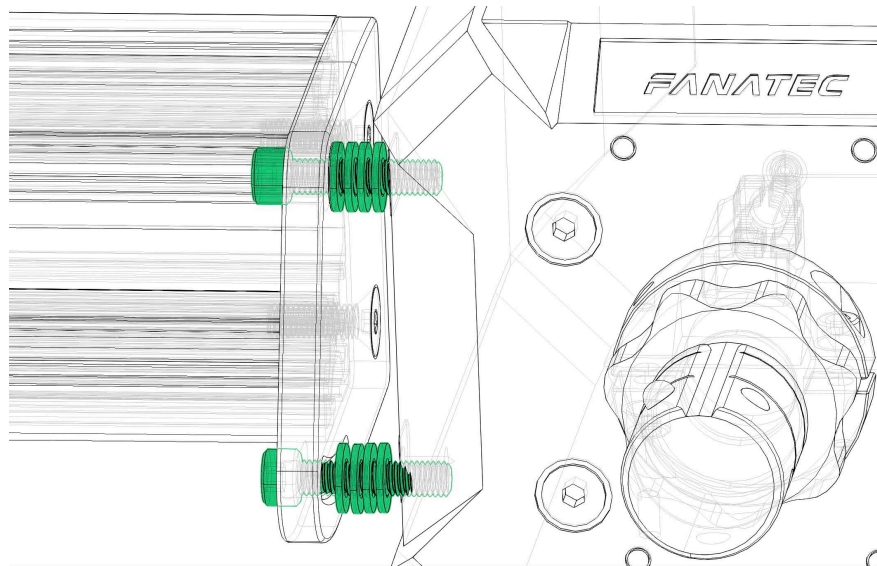


2



do step 3 after 1 / 2 on the following page

3

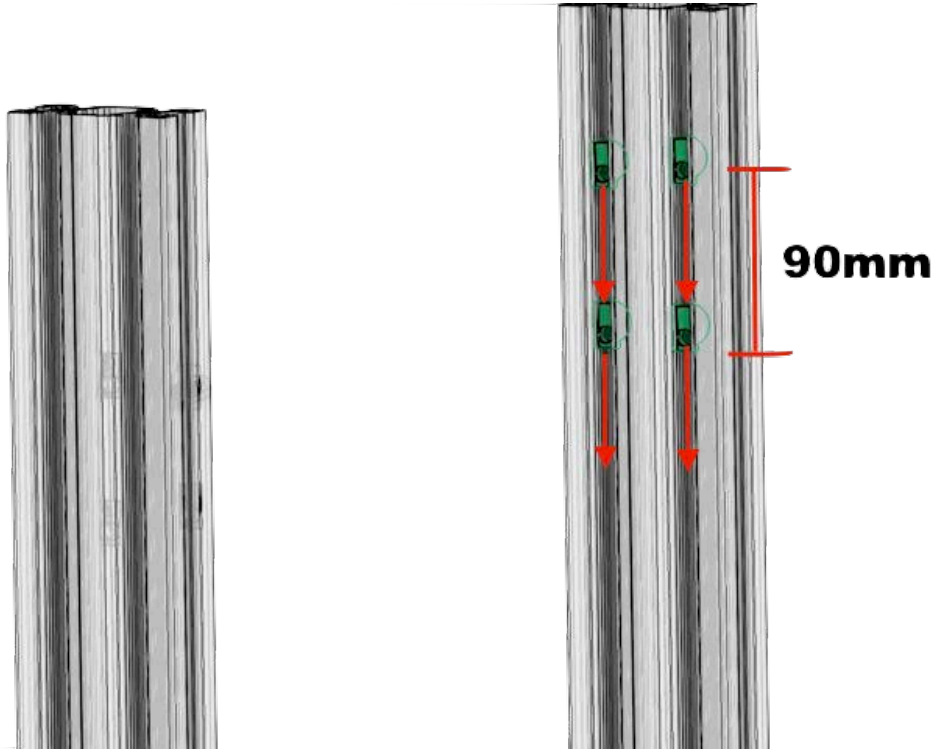


for Fanatec DD1/DD2 only:
Use 4 x M8 Washers (spacers) on top and bottom and tighten.

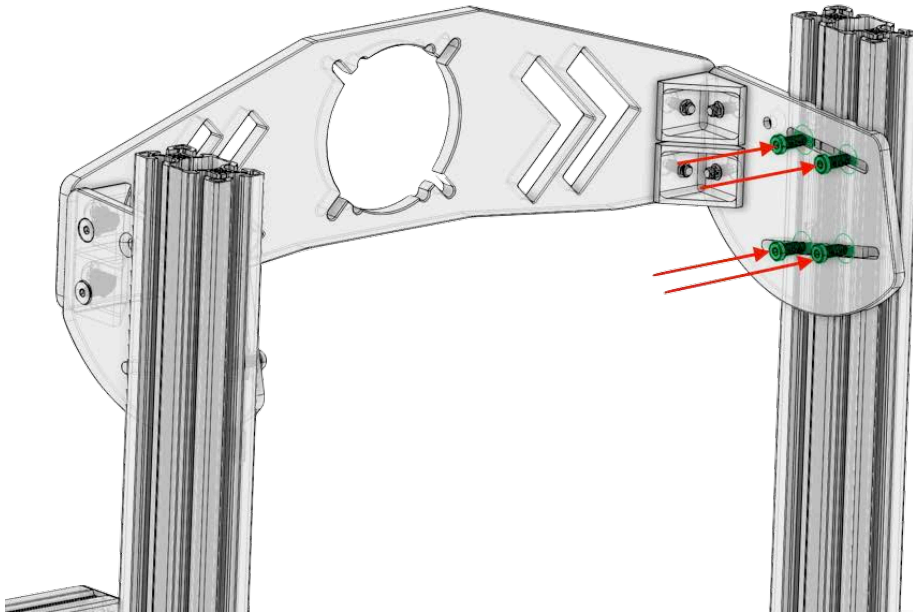
- 1 x 
Right Side
Wheel Mount
- 1 x 
Left Side
Wheel Mount
- 1 x 
Right Fanatec
Mount
- 1 x 
Left Fanatec
Mount
- 2 x 
Fanatec
Profile
- 8 x 
25mm M8
Flathead Bolt
- 
M8 Washer



1



2



8 x



20mm M8 Bolt

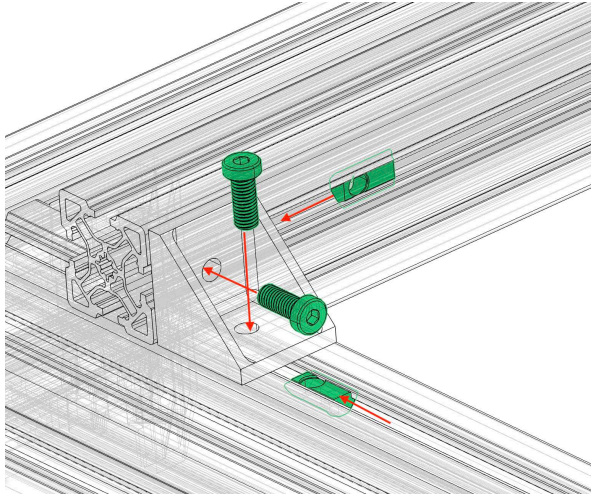
8 x



M8 T-Nut

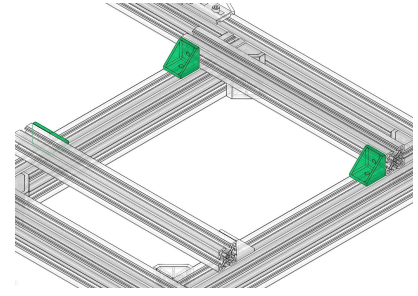


1



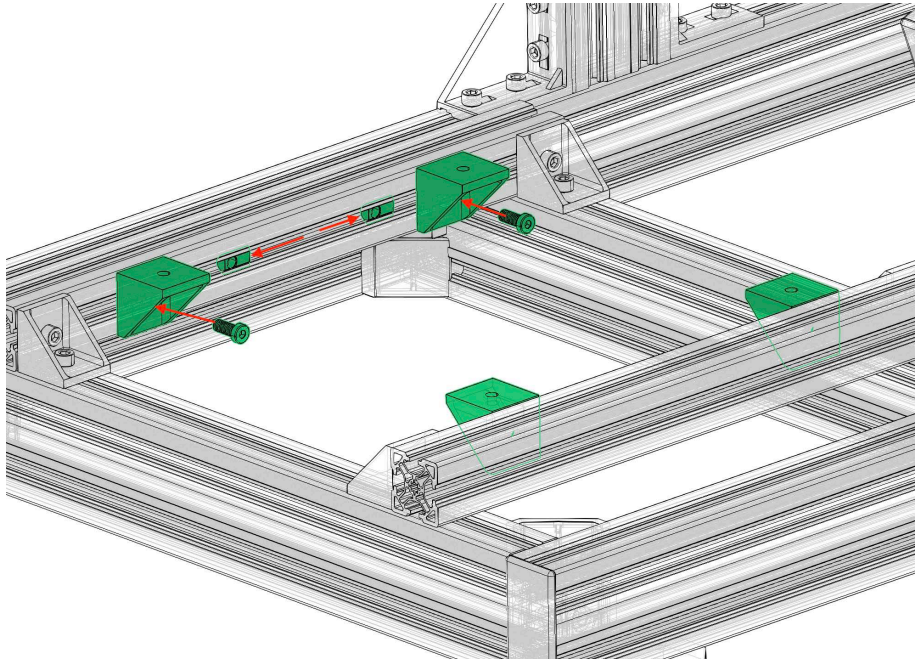
2

Repeat for 3 remaining corners



3

Optional -With Undermount Seating Kit



2 x

Seat Rails



12 x

16mm M8 Bolt



12 x

M8 T-Nut

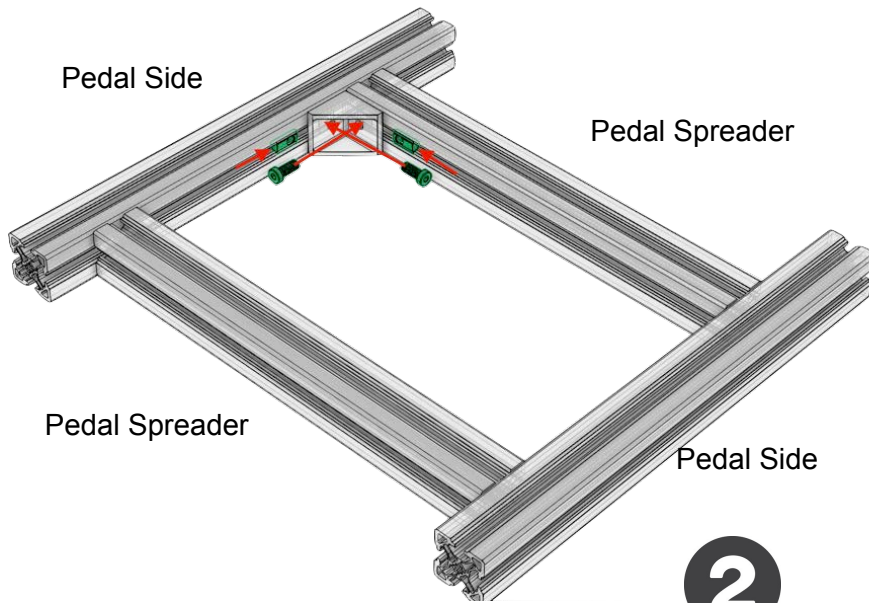
4 x



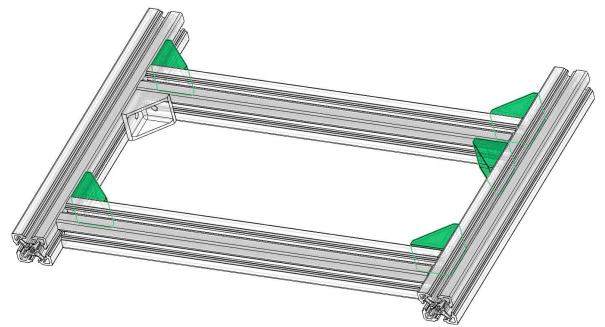
Corner Bracket



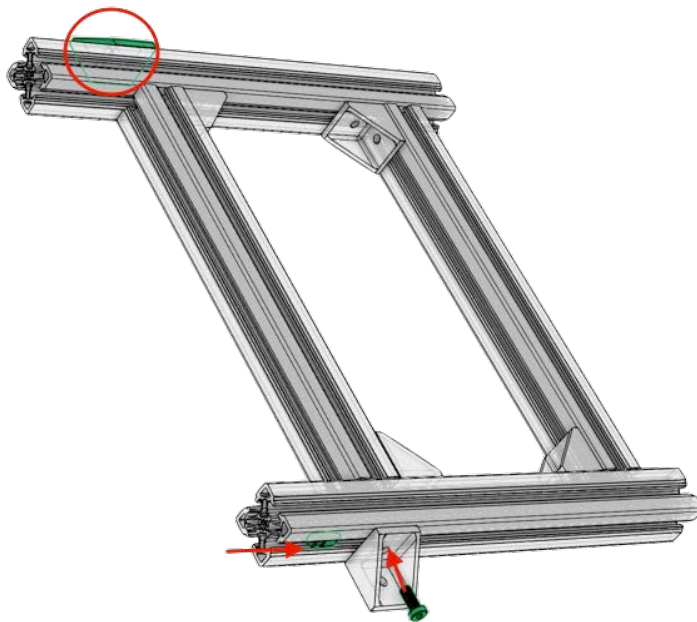
1



2



3



Add the bracket to both sides and leave slightly loose



Pedal Spreader



Pedal Side



Corner Bracket



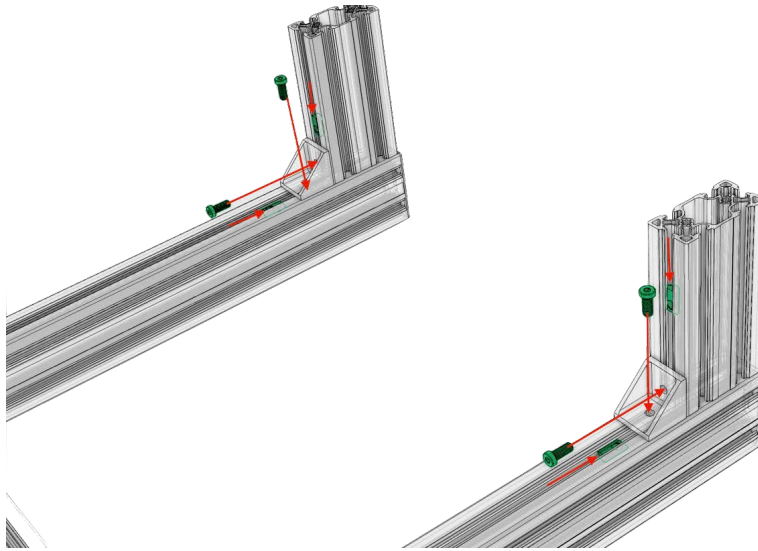
M8 T-Nut



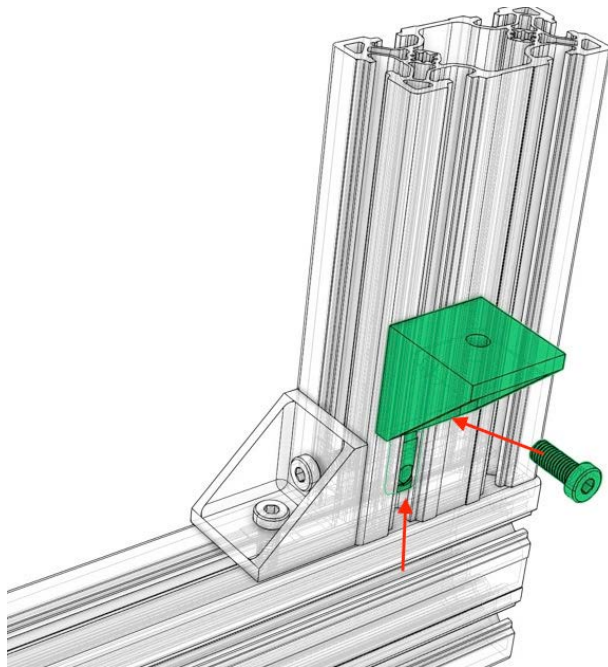
16mm M8 Bolt



1



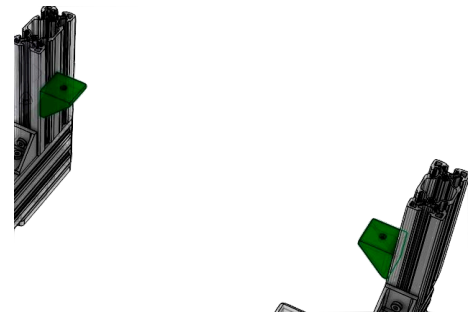
2



Leave slightly loose.

Repeat for other side

3



4 x



Corner Bracket

6x



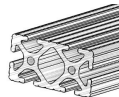
16mm M8 Bolt

6 x



M8 T-Nut

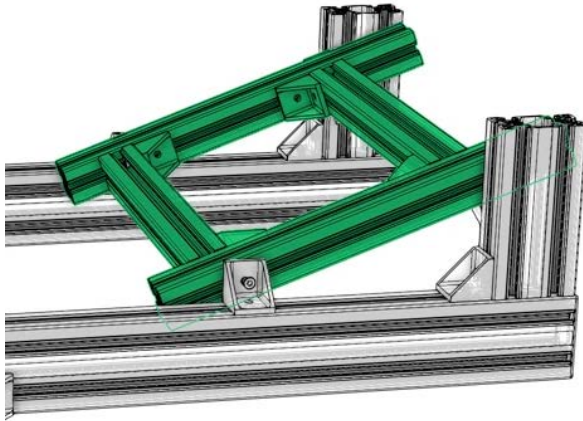
2 x



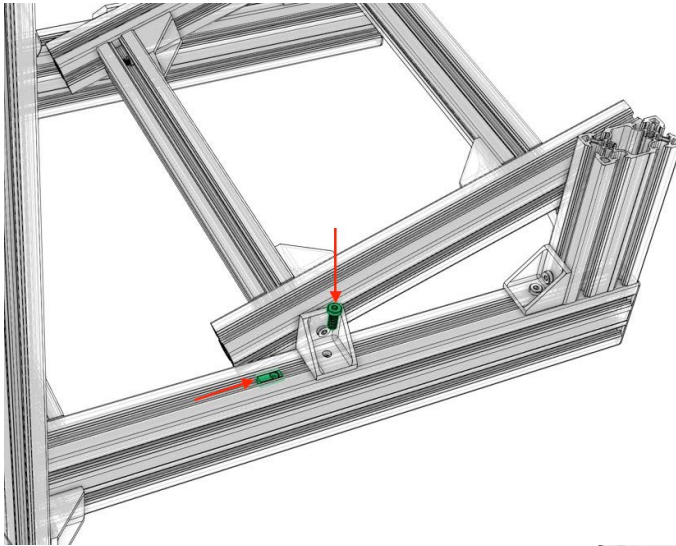
Pedal Upright



1

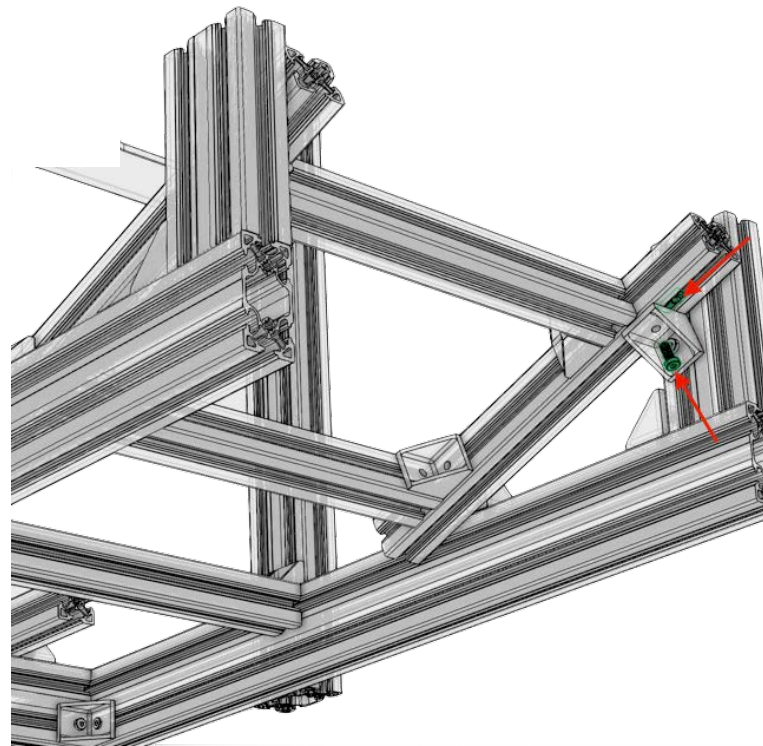


2



3

Connect both sides, leave loose, adjust to desired angle and tighten

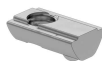


4 x



16mm M8 Bolt

4 x



M8 T-Nut