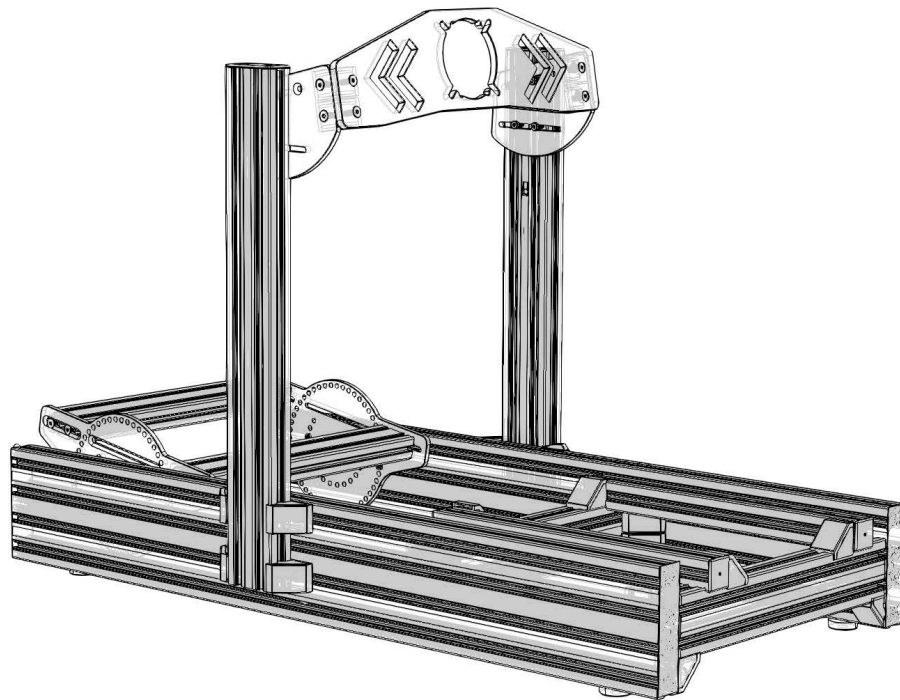




Phantom Series

Phantom SEV2 Sim Frame

Assembly Instructions



Our Support Team is here for you.

Feel free to reach out to us and we will be happy to help.



Email



Web Chat



Skype



WhatsApp



Messenger

Address : Info@allin1gaming.com



Unboxing

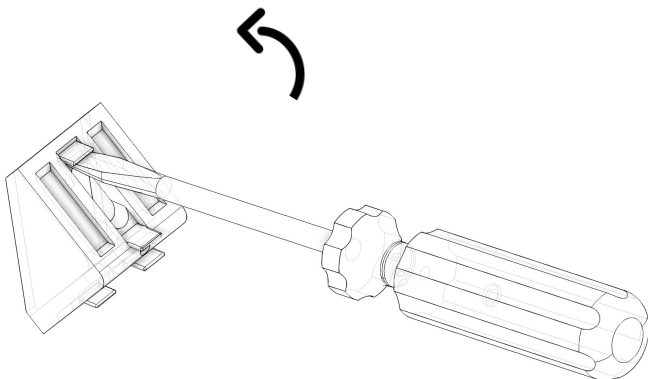
- Open every box first. Each group or section of the whole of a whole was seperatley packed.
- Consider placing the flattened cardboard boxes on the floor under your components to prevent them from getting scratched during assembly.
- As you discard the packaging, be careful to not accidentally throw a part away. Please recycle as much as possible.

Tips

- You can slide T-nuts in from the end of an extrusion or insert them anywhere along the length of the extrusion—no need to dismantle to insert a T-nut.
- T-nuts work similarly regardless of their orientation. No need to orient them in the same direction inside the T-slot.
- Tighten fasteners with your fingers first and leave them slightly loose until you've finished assembling a sub-section. Once you've completely assembled your machine (or a sub-assembly), tighten it all up.

Corner Brackets

Tabs on the corner brackets may need to be removed if they are perpendicular to the extrusion they are placed on. In this case they won't lie flatly on the extrusion. This can be done by placing a flathead screwdriver behind the tab and tilt upwards away from your body.



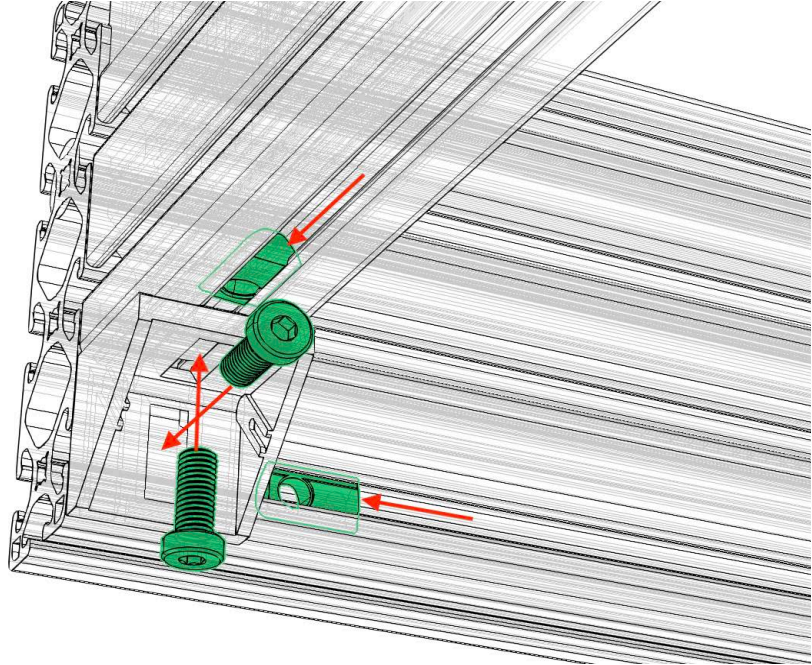
The assembly instructions will show the bottom break tab symbol on the appropriate steps where tabs need ot be broken off.





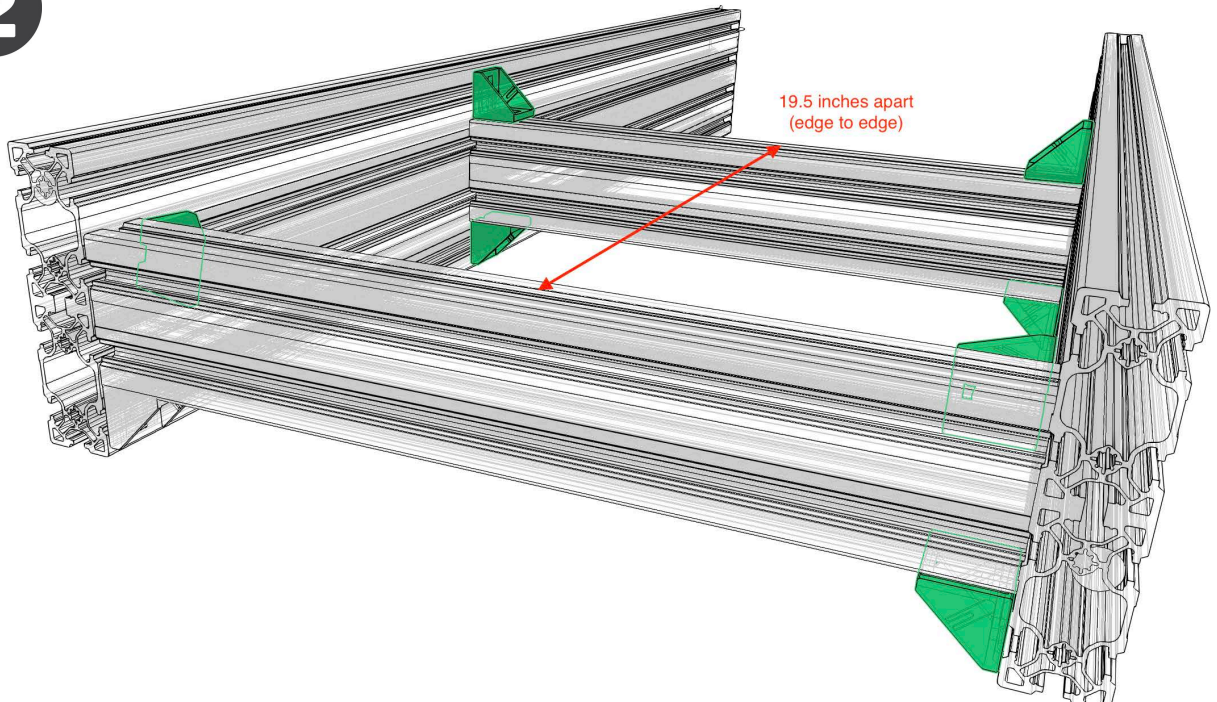
Step 1: Frame Assembly

1

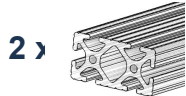


Repeat the process for the positions below

2



Long Profiles



Spreader Profiles



Corner Brackets



M8 16mm

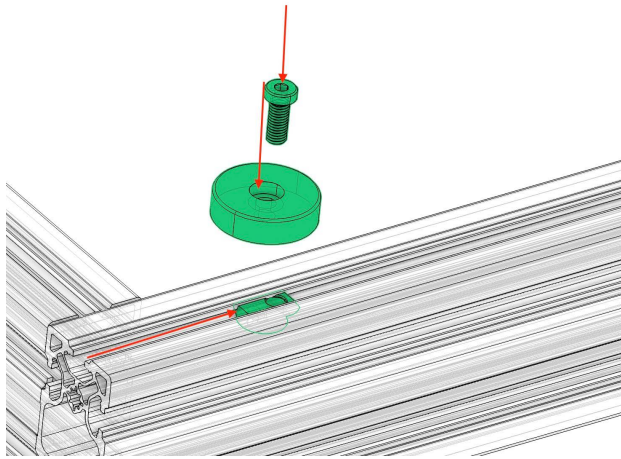


M8 T-Nuts



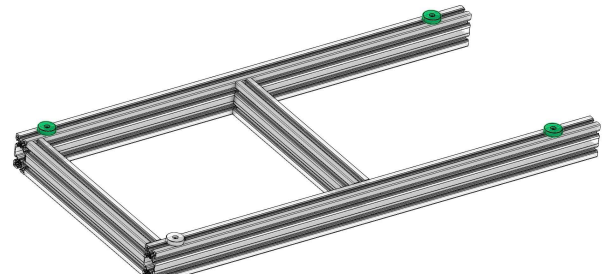
Step 2: Feet Assembly

1



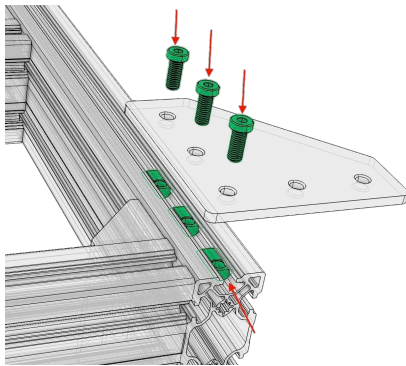
2

repeat for other corners

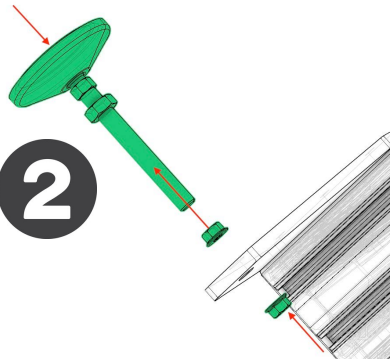


or with sim feet (optional)

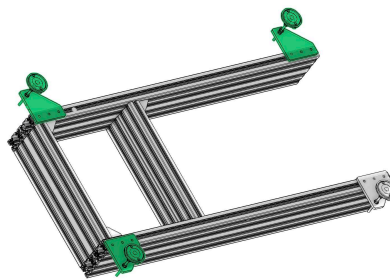
1



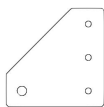
2



3



4 x



Base Plate

12 x



M8 T-Nut

12 x



M8 20mm

4 x



Leveling Foot

8 x



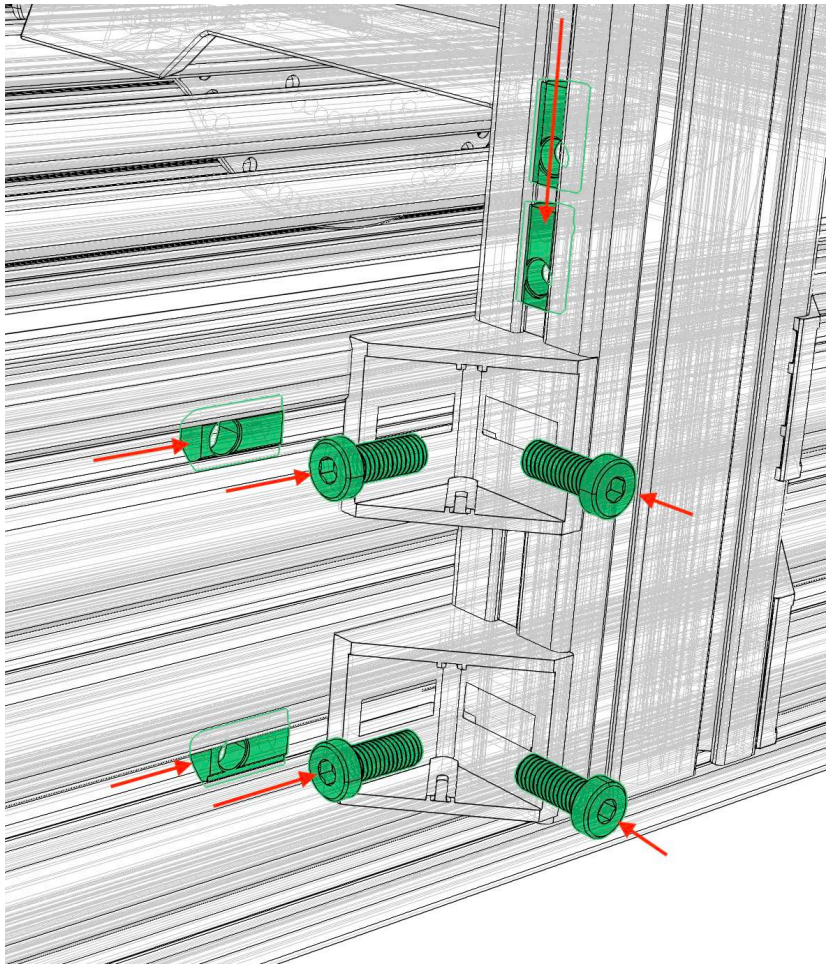
M12 Nut

Please flip unit over to complete assembly.

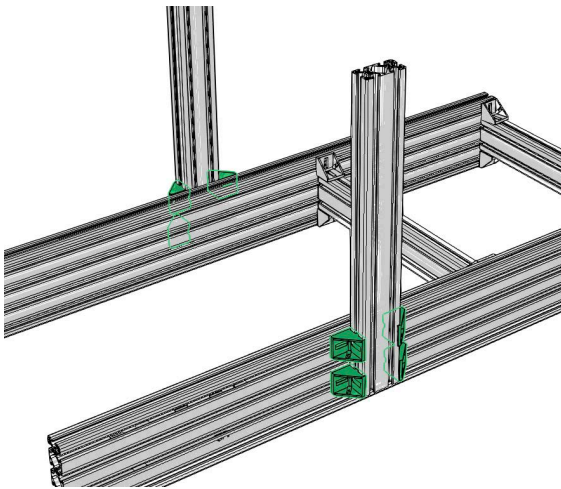


Step 3: Wheel Upright Assembly

1

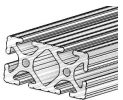


2



Repeat the process for other positions and other side.

2x



Wheel Upright

4x



Corner Bracket

16 x



M8 T-Nut

16x

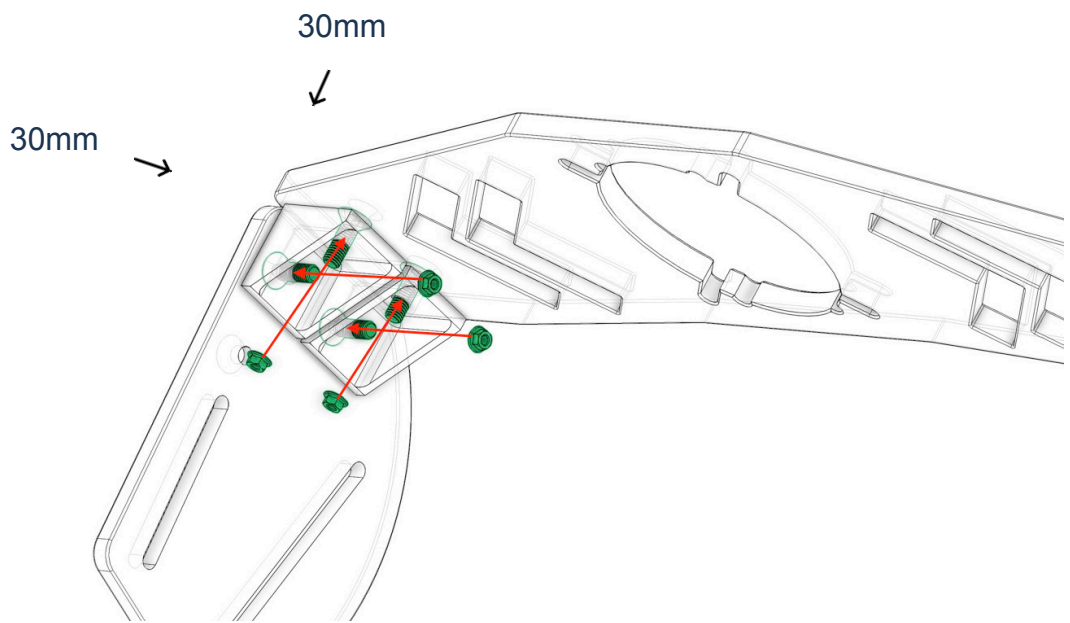


M8 18mm

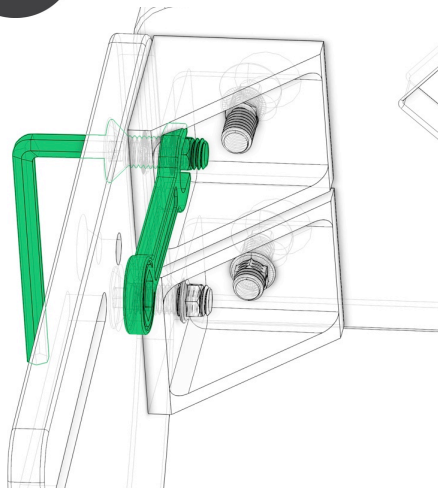


Step 4: Front Mount Assembly

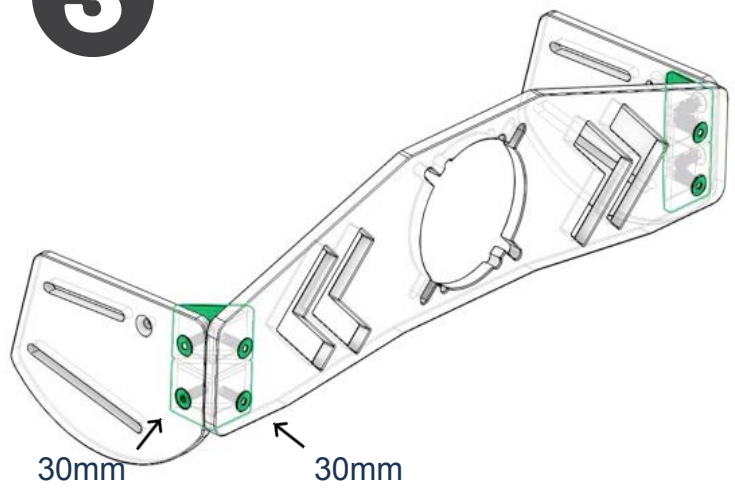
1



2



3



1 x

MT-WH-001



1 x

MT-WH-002



1 x

MT-FW-001



8 x

M8 Nut



4 x

M8 30mm



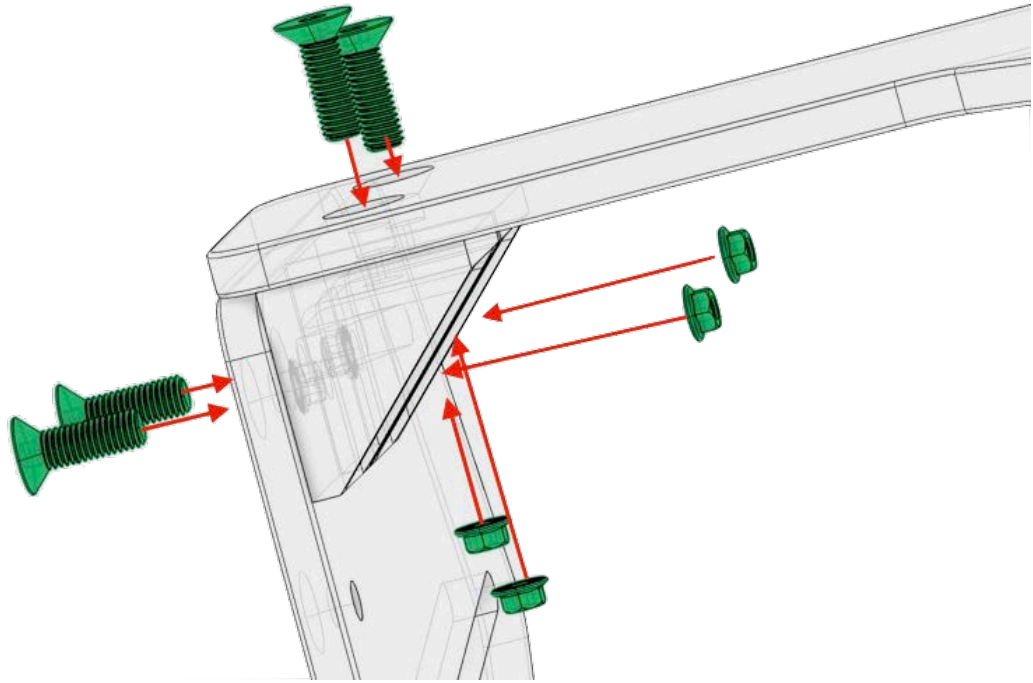
4 x

Corner Bracket

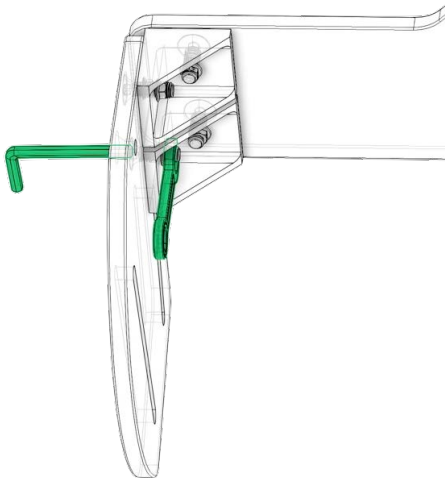


Step 4: Wheel Dech Assembly

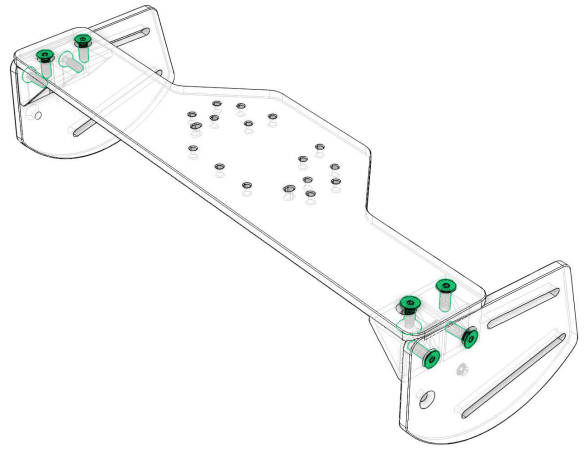
1



2



3



1 x



HW-WD-001

1 x



HW-FN-001

1 x



HW-FN-002

8 x



HW-FN-008-0003

8 x



HW-FN-015-0025

4 x

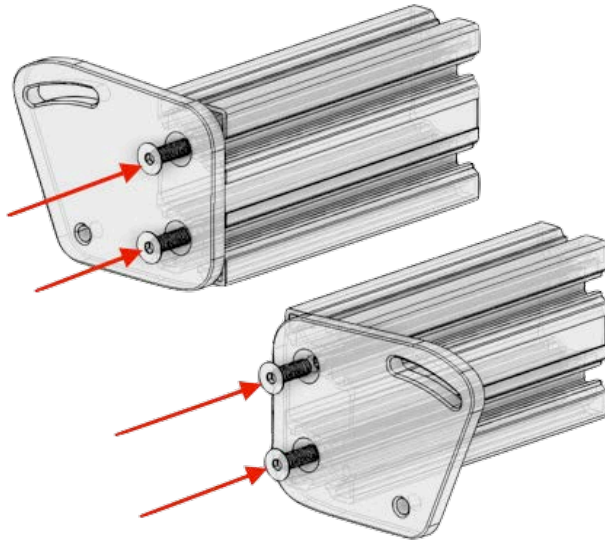


ST-GP-003-0001

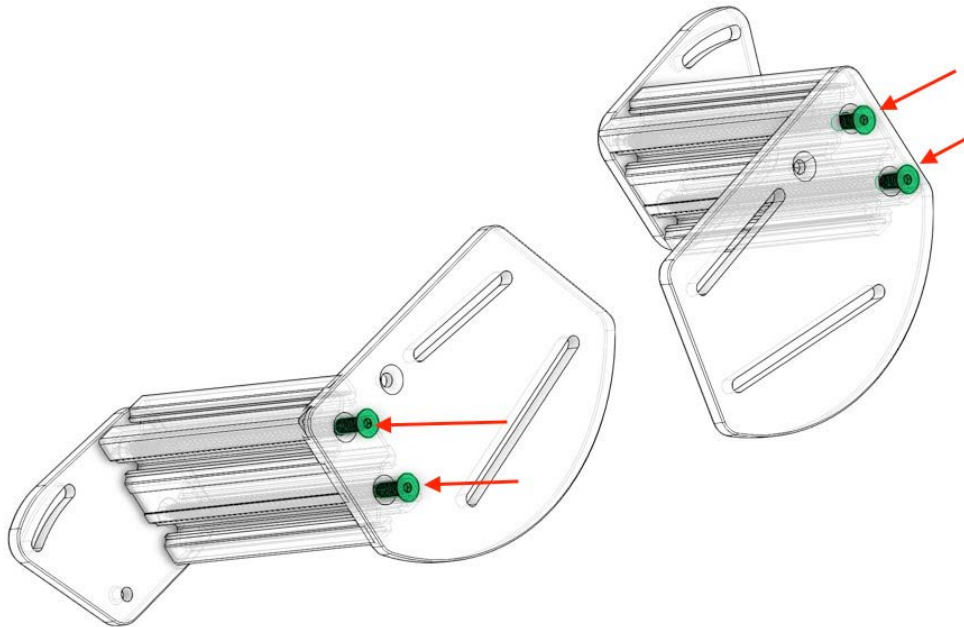


Step 4: Fanatec Mount Assembly

1

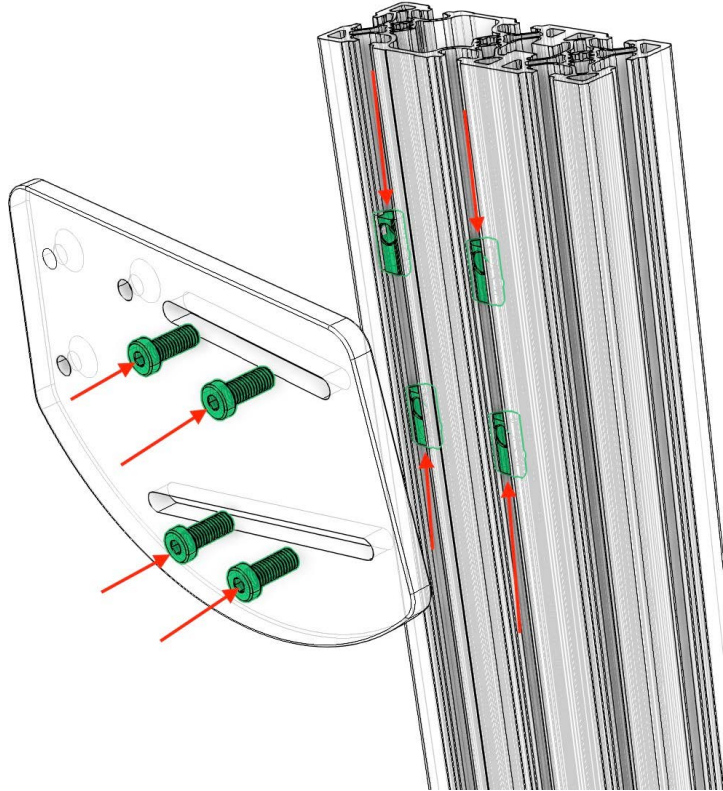


2

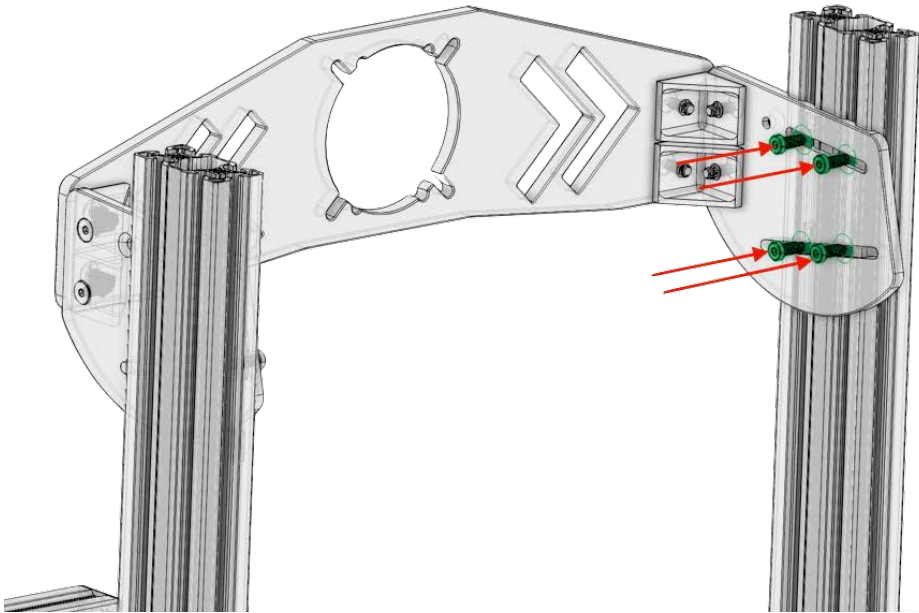


- | | | | | | | | | | | | | | |
|-----|-----------|-----|-----------|-----|-----------|-----|-----------|-----|---------------|-----|-------------------|-----|----------|
| 1 x | | 1 x | | 1 x | | 1 x | | 2 x | | 8 x | | 4 x | |
| | MT-WH-001 | | MT-WH-002 | | MT-PD-001 | | MT-PD-002 | | ST-EXT-CSL/DD | | M8 25mm Flat Head | | M8 T-nut |


1



2



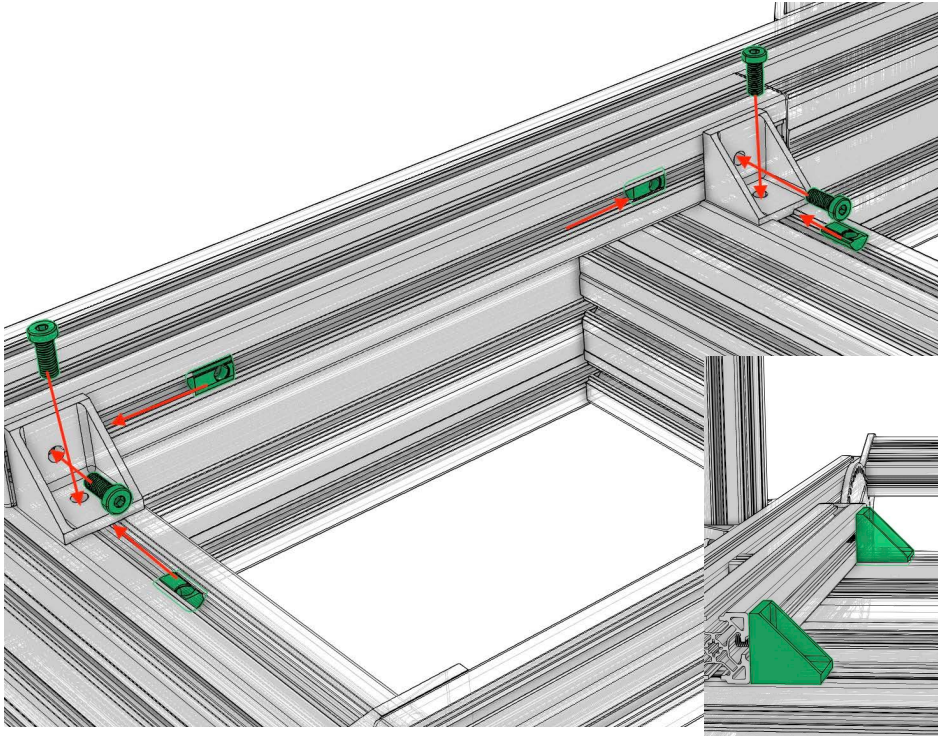
8 x 
M8 20mm

8 x 
M8 T-nut



Step 6: Seat Mount Assembly

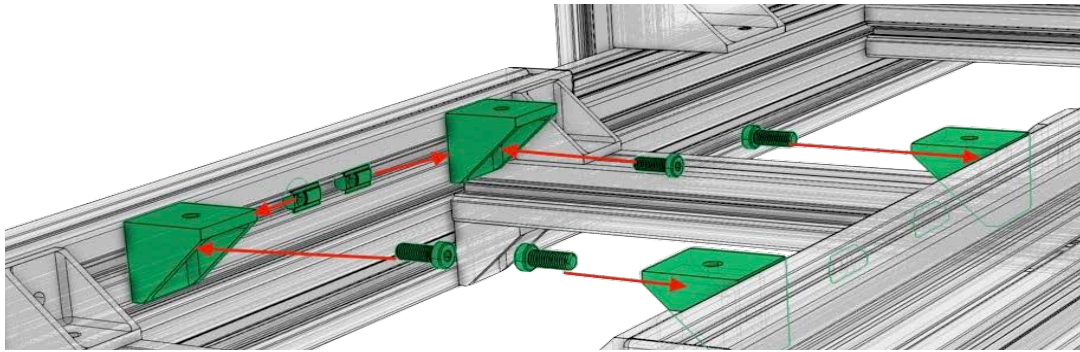
1



Repeat step 1 for other side

2

Optional -With Undermount Seating Kit



2 x



Seat Rail

8 x



M8 16mm

8 x



M8 T-Nut

4 x



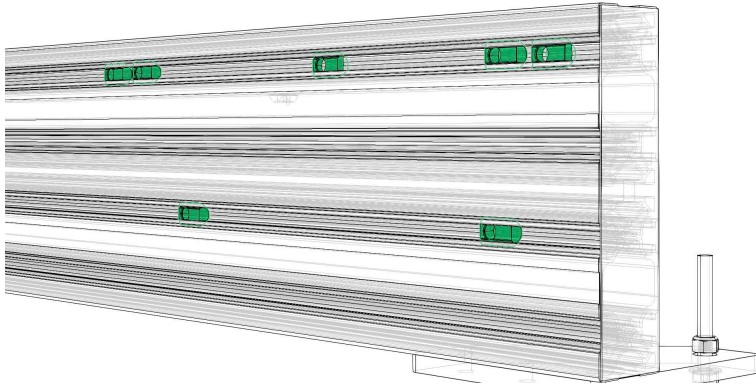
1515 Bracket



Step 7a: Pedal Assembly - Pivot Method

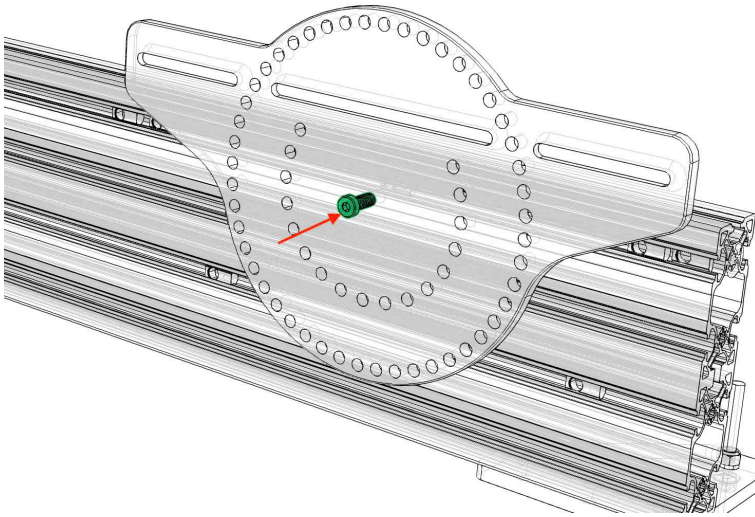
The pedal plates can be mounted either freestyle (step 7c) or using the center hole as a pivot if you want to easily rotate your pedal angle.

1



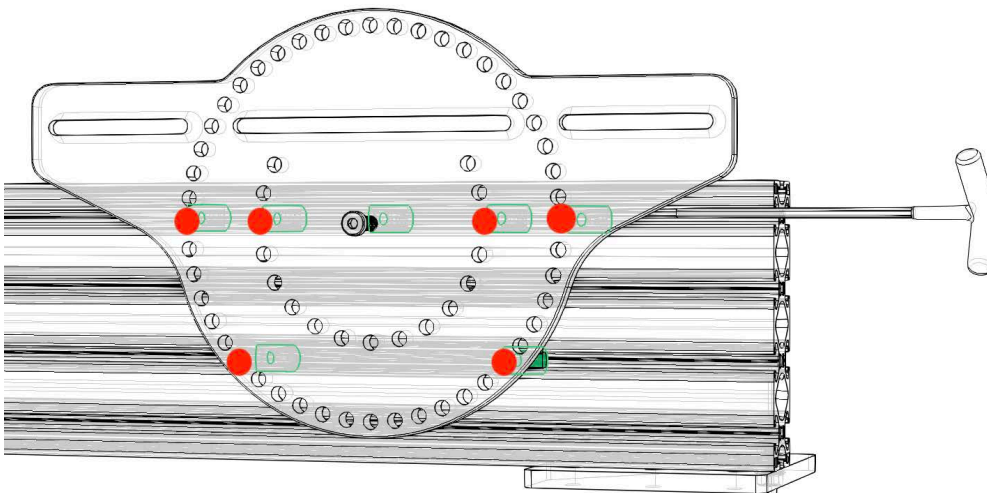
Place one T-nut in the center top slot with 1 on each side 12 inches from the center T-nut

2




Align the center T-nut with the center hole of the the pedal mount and tighten. Leave the center bolt a little loose as you will be rotating the assembly before tightening it all up.


3




Using the supplied T-Handle, slide in the remaining T-nuts so that they align with the red circles as indicated in the photo.

**Repeat the same steps for the opposite side.

- 2 x 

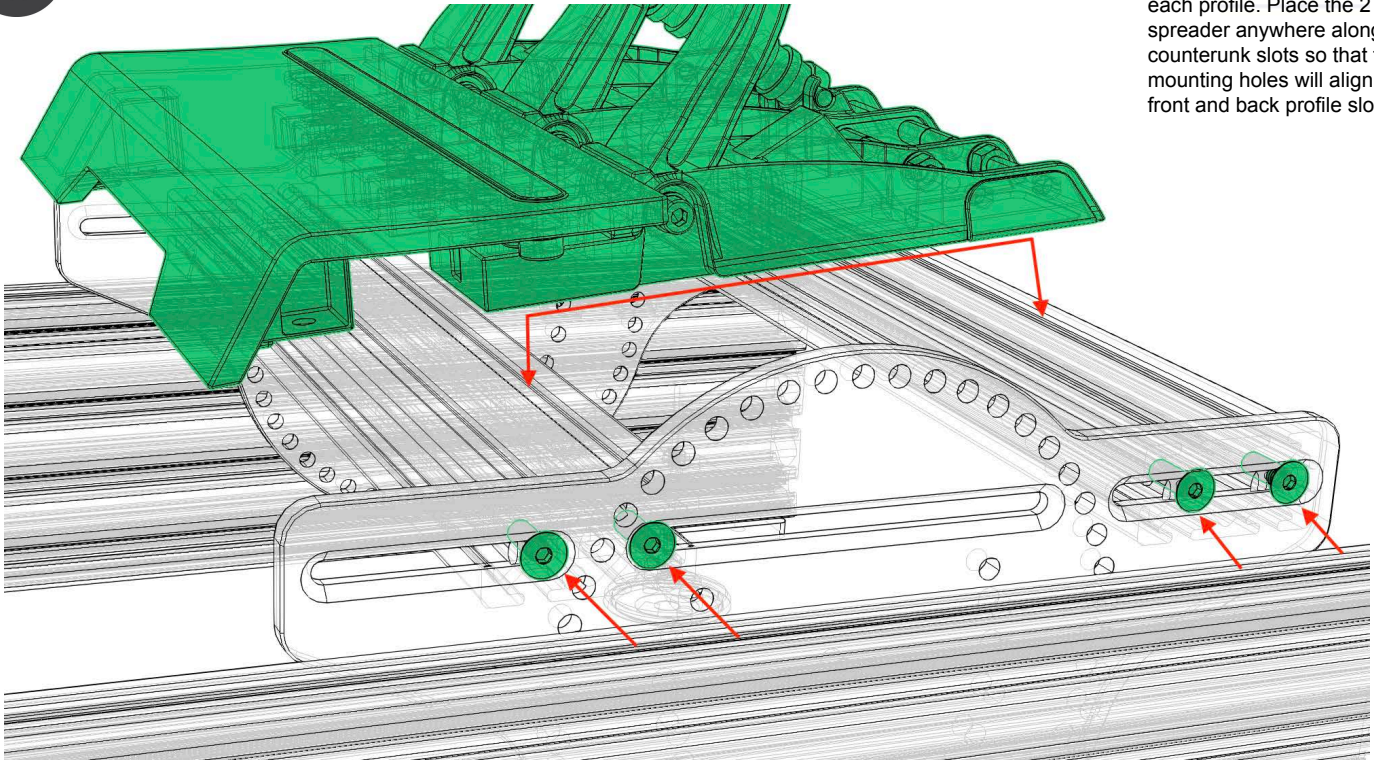
MT-PP-001
- 2 x 

M8 20mm
- 14 x 

M8 T-Nuts



1

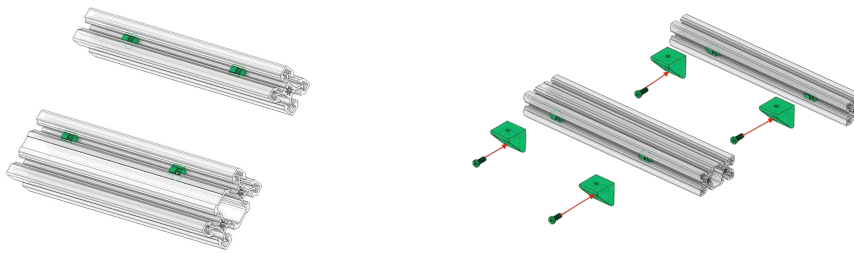


Align the 2 spreader bars into the slots as in the photo. Secure a flathead screw into center hole of each profile. Place the 2 pedal spreader anywhere along the counterunk slots so that the pedal mounting holes will align with the front and back profile slots.

2

OPTIONAL WITH PURCHASE OF MOUNTING KIT

For pedals that mount upwards, use the provided 4 x corner brackets



4 x



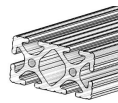
M8 18mm Bolt

4 x



M8 T-Nuts

2 x



Pedal Spreader

6 x

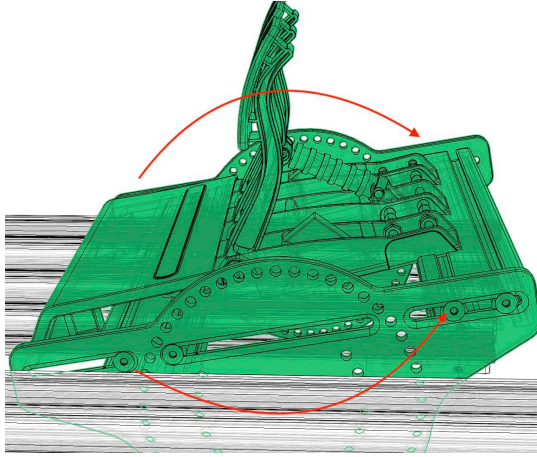


25mm Flat Head Bolt



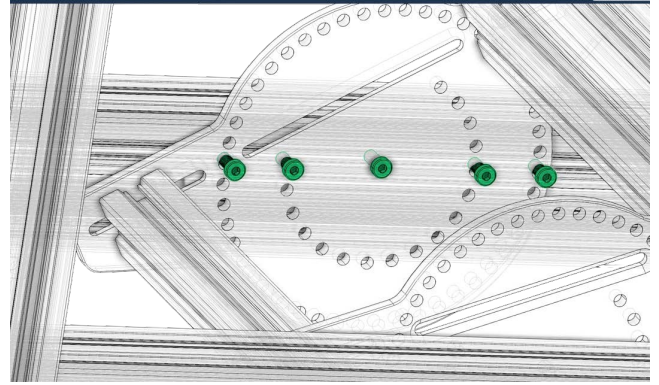
PEDAL MOUNT ASSEMBLY

1



Rotate the pedal assembly to the desired angle using the 2 x center bolts as a pivot.

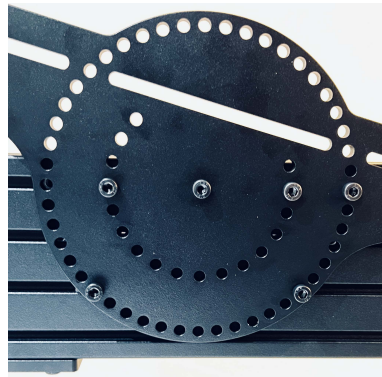
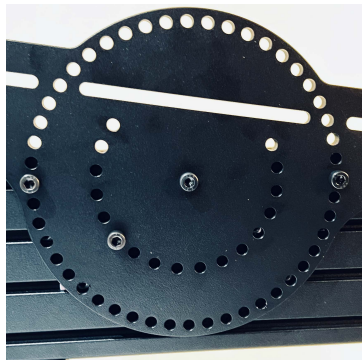
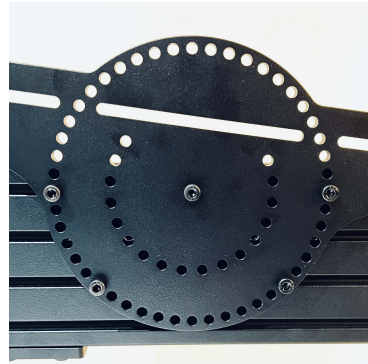
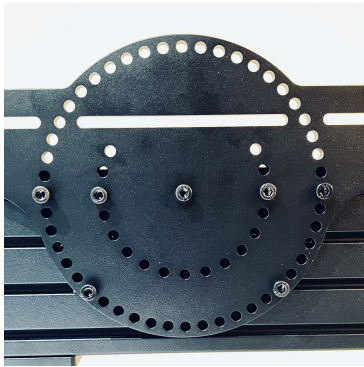
2



Once you have the desired angle, add additional bolts that align with the t-nuts that were previously installed.

Please note that only 2 bolts are needed for the pedal plate to be secure in the cockpit.

Examples



12 x



M8 T-Nut



PEDAL MOUNT - FREESTYLE METHOD

To mount your pedals using any hole combination, angle, and height that you choose, follow the same steps above changing only the t-nut layout from step #4 from page 12 and screw positions from steps 2 & 3 from page 14.

Examples of custom freestyle mounting options.

