

**orison**

# **USER'S MANUAL**

**Model: IN62976**

Thank you for purchasing the Orison OutPace -Contemporary Smart Ceiling Fan. To get the best long-lasting performance, please read and follow this User's Manual carefully before operating. After reading, please store this manual in a safe place, and refer to it when needed.

# CONTENTS

**SAFETY NOTES** ————— PAGE 1

**INSIDE THE BOX** ————— PAGE 2

**INSTALLATION GUIDE** — PAGE 3-7

Technical Specifications

Installation Steps

Product Features

**HOW TO USE** ————— PAGE 8-9

Remote Guide

Fanlamp Pro App Setup

**TROUBLESHOOTING** ————— PAGE 10

**MAINTENANCE** ————— PAGE 11

**WARRANTY** ————— PAGE 12-13

# SAFETY NOTES

## General Precautions

It is important that you read and follow these instructions carefully and heed all warnings displayed in this manual. Please retain these instructions for future reference.



This ceiling fan must be installed by a licenced and qualified electrician in accordance with all local authority regulations.

## Safety Precautions

Proceed with caution! Before installing this unit, read all instructions and safety information and review the included assembly images.

To reduce the risk of electric shock, do not install this fan in a location where it may be exposed to rain, moisture or any liquid.

When installing this unit, use a double pole disconnect switch to completely disconnect power to the unit. A double pole disconnect switch must be installed in accordance with the necessary wiring rules to completely disconnect power to the unit.

Do not attempt to operate the equipment if it is or appears to be damaged in any way, or if it malfunctions after installation.

If abnormal oscillatory movements are observed or unusual events occur (e.g., burning odor, smoke, etc.), stop using the equipment immediately and contact the manufacturer, its service agent, or an appropriately qualified person.

Do not use the product for any purpose other than the intended use described in these instructions. Avoid contact with moving fan blades and ensure that hair, clothing and other items are kept at a distance from the device. Contact with moving blades may result in serious injury.

Do not operate the unit without the blades and shade properly installed.

Do not look directly at the LED light source.

Do not install or touch the device with wet hands.

Do not place any object on the device or block the device or blade with any object.

This product is not intended for use by persons (including children) with reduced physical, sensory or mental capabilities, or by persons who lack experience and knowledge of safe operation unless they are under the supervision of a person responsible for their safety and well-being or have been instructed in the safe use of the equipment.

Close supervision is necessary when children are using this product. Do not allow children to use it as a toy.

It is normal for the motor and lights to heat up. Do not touch the equipment during or after operation.



Please note  
At Orison, we constantly strive to provide the best smart ceiling fans. Modifications and upgrades may be made. The actual product may vary slightly from the illustrations or descriptions you see in this user manual. Please refer to the actual product as the standard.

# INSIDE THE BOX

SAFETY  
NOTES

INSIDE  
THE BOX

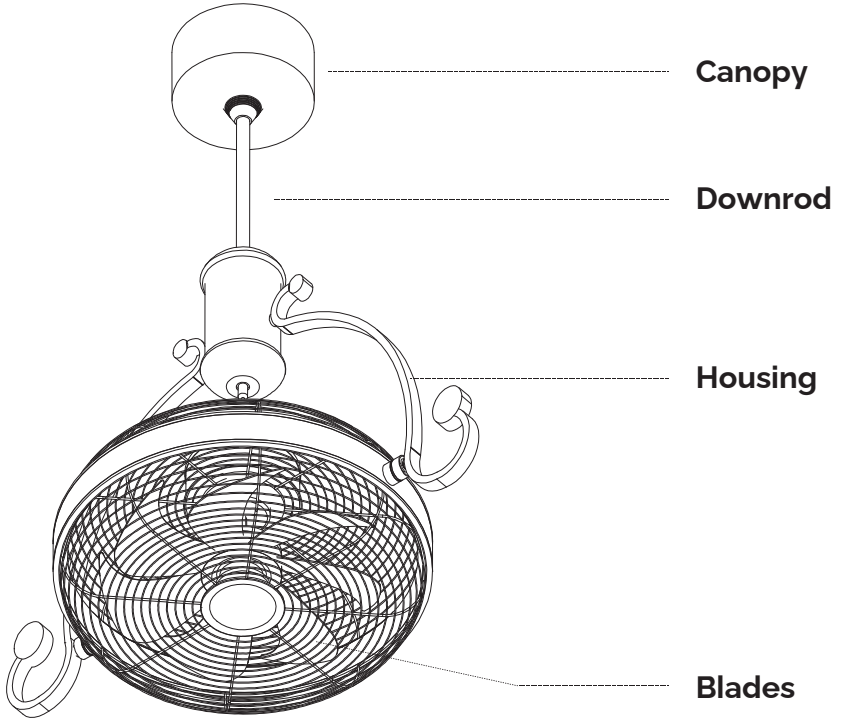
INSTALLATION  
GUIDE

HOW TO USE

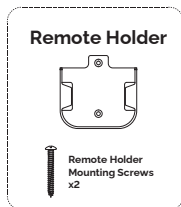
TROUBLE  
SHOOTING

MAINTENANCE

WARRANTY



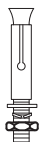
Remote



AAA Batteries  
x2



Wiring Caps  
x 3



Expansion Bolts  
x 4  
(For concrete ceiling)



Plastic Anchor  
x 4  
(For wood ceiling)



Self tapping screw  
x 4  
(For wood ceiling)

# INSTALLATION GUIDE

## TECHNICAL SPECIFICATIONS

Product: Orison OutPace | Smart Ceiling Fan

Input voltage: DC 100V-235V

Fan wattage: 20W

Light wattage: 25W

Total Wattage: 45W

Supportive system: Android 4.4 or iOS 9.0 and newer versions.

Wireless connection: 2.4GHz, Bluetooth 4.2

Model:IN62976

Net weight: 3.7kg

Gross weight: 5.1kg



Before installation, be sure to turn off the power supply to prevent an electric shock. During installation, this operation must be carried out in strict accordance with the provided instructions. If the installation is incorrect, it may lead to accidents such as fire, electrical shock or the lamp's body falling down.



Please entrust an electrical professional to install or repair this product. The wiring must comply with the correct electrical standards in order to avoid any danger.

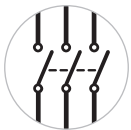
Please confirm whether the voltage of your home meets the working voltage of the product before use. Using the inappropriate voltage may damage the product and cause potential safety hazards.



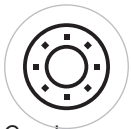
### Electrical input guide:

**110V-50/60Hz (For US/MX/CA/Japan)**

**220V-50/60Hz (For AU/Asia/Europe)**



The fan remains powered on even if it is turned off via remote control or mobile app. Therefore, do not touch, replace or remove the lamp until you are sure the power supply has been cutted off, as this could result in electric shock or even death.



Contemporary

The light source of the lamp cannot be replaced by the user, please consult the manufacturer or its service organization for guidance. Ask someone with similar qualifications to replace the light source.

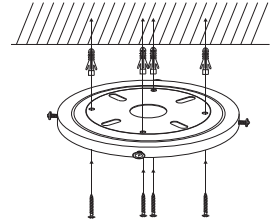


The installation height of this fan should be more than 2.3 meters from the ground.

# INSTALLATION GUIDE

## STEP 1 Base Installation

Fix the lamp's base onto the ceiling's mounting base with 4 screws, and confirm that the base is firmly installed. (If there isn't a mounting base on the ceiling, then please use an electric drill to drill installation holes in the ceiling, and put the expansion pipe into the installation hole).



### Accessories Required



Ceiling Mounting  
Screws x4



Anchors  
x4



Base Mounting  
Screws x2

SAFETY  
NOTES

INSIDE  
THE BOX

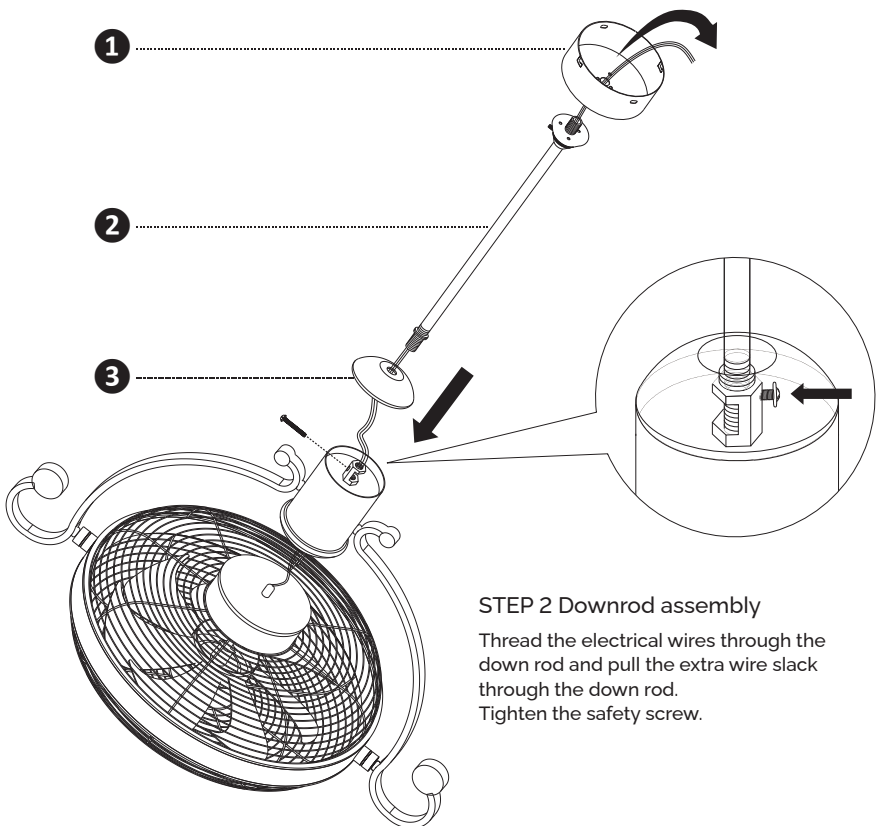
INSTALLATION  
GUIDE

HOW TO USE

TROUBLE  
SHOOTING

MAINTENANCE

WARRANTY



## STEP 2 Downrod assembly

Thread the electrical wires through the down rod and pull the extra wire slack through the down rod.  
Tighten the safety screw.

# INSTALLATION GUIDE

SAFETY NOTES

INSIDE THE BOX

INSTALLATION GUIDE

HOW TO USE

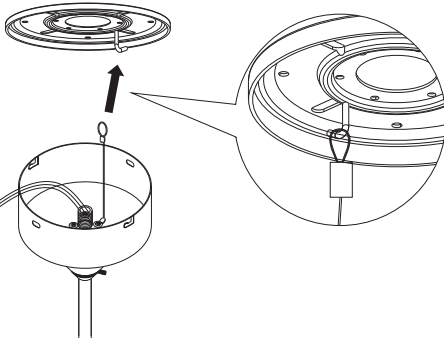
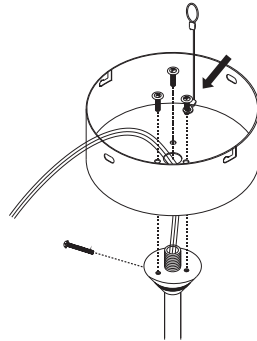
TROUBLE SHOOTING

MAINTENANCE

WARRANTY

## STEP 3 Safety Rope

Install the safety steel rope along with the screw on the downrod.



## STEP 4 Buckle Safety Rope

Now hang up the safety steel rope. This step will make wiring much easier!

## STEP 5 Wiring

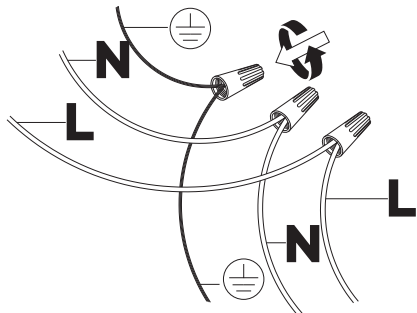
Next, use wiring caps to connect the L/N/Ground wires.

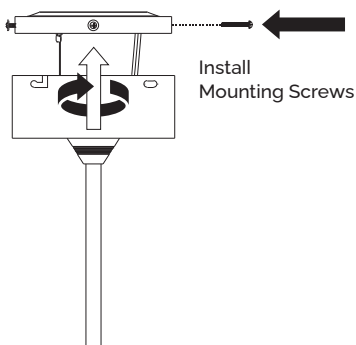


**Warning!**  
You must make sure the power is switched OFF before wiring!

Accessories Required

 Wiring Caps  
x3





### STEP 6 Install Fan

Hold the edges on both sides of the lamp's body with both hands and aligned with the base. Gently push both sides upwards and rotate clockwise. You can install the mounting screws into the side of the lamp's body, and make sure that it cannot rotate after installation.

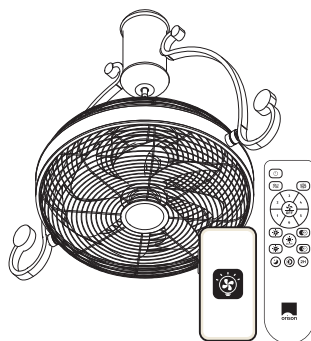
#### Accessories Required

 Lamp Mounting Screws  
x4

### STEP 7 Testing

The installation is complete! Please switch on the power and test all the functions via the remote control and App.

Remote Control Guide: Page 8  
App Setup Guide: Page 9-12



Adjust Brightness



Adjust Light Temperature



Reversible Blades

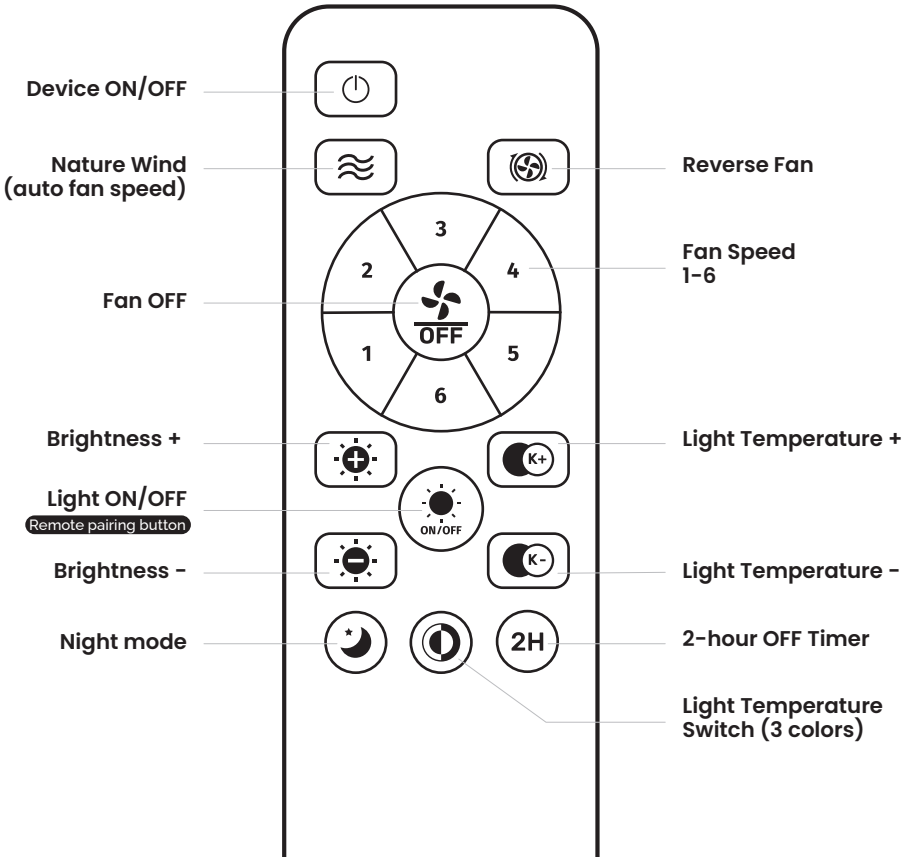


Nature Wind Setting



6-speed Adjustment





SAFETY NOTES

INSIDE THE BOX

INSTALLATION GUIDE

HOW TO USE

TROUBLE SHOOTING

MAINTENANCE


WARRANTY



**If the remote control is not working, try re-pairing.**



The remote control is usually pre-paired with the fan out of the box. If it doesn't work, try re-pairing it. Here's how.

Make sure the fan has power and press the Light ON/OFF  button for about 2 seconds. A beep sound and flashing light indicates a successful pairing process. Now try all the buttons to check if the remote control works.

PLEASE NOTE: If the product upgrades, the upgraded function shall prevail.



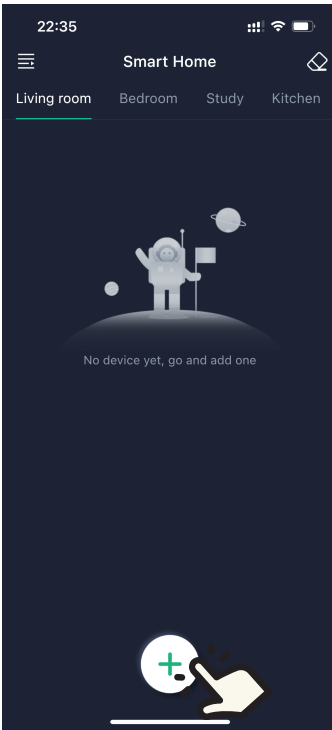
SAFETY NOTES  
INSIDE THE BOX  
INSTALLATION GUIDE  
HOW TO USE  
TROUBLE SHOOTING  
MAINTENANCE  
WARRANTY

## STEP 1

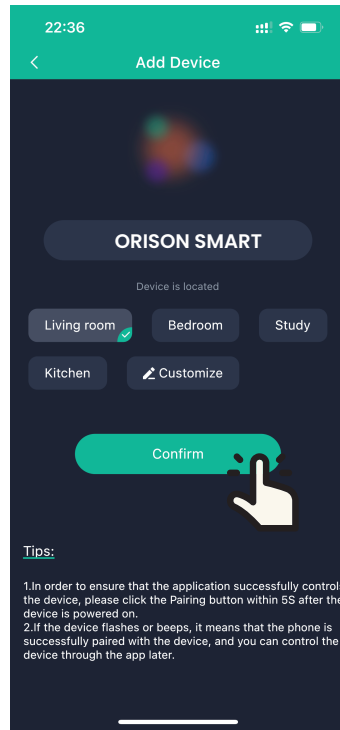
On your phone or tablet, please download and install the latest version of the FanLamp Pro APP from the app store.



## STEP 2 Open the APP



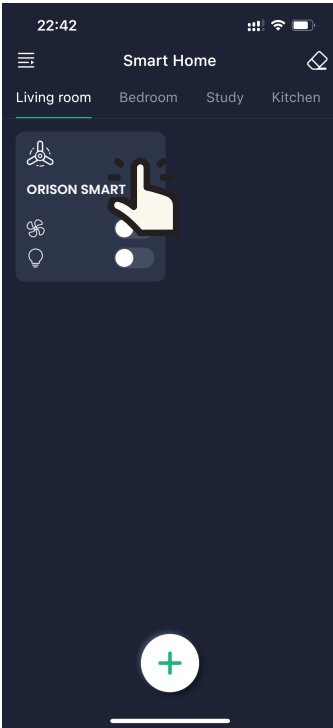
Tap 'Add Device' on home page



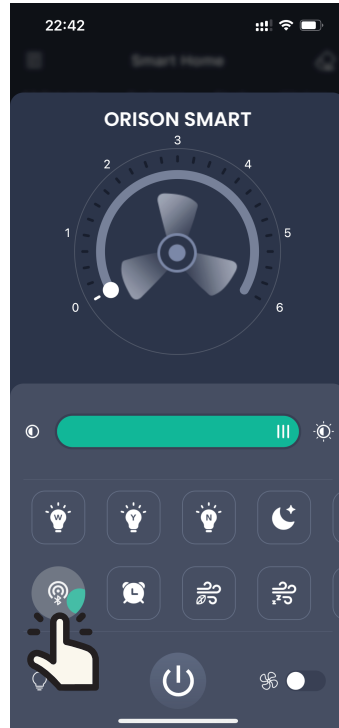
Tap to add a device name and select your fan location, then tap confirm.



The steps may vary due to App update.  
Follow the App instruction to complete the setup.

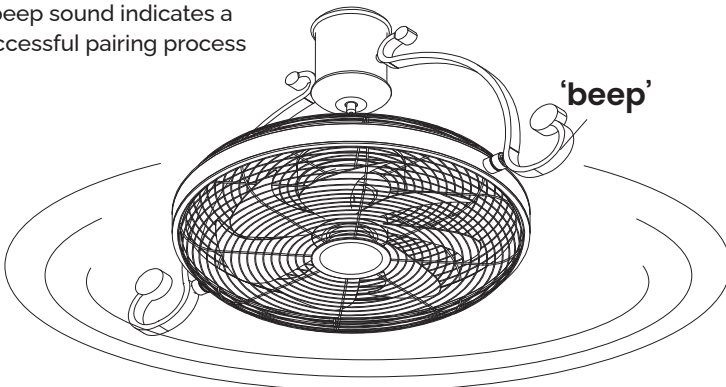


Now tap the fan button



Switch on the power from the wall switch, within 5 seconds, tap the bottom left button to start pairing

A beep sound indicates a successful pairing process



# TROUBLESHOOTING

Check here when you think the product has malfunctioned.

PROBLEMS	POSSIBLE CAUSES	SOLUTIONS
1. Fan does not move	<ol style="list-style-type: none"> <li>1. Power is off or fuse is blown.</li> <li>2. Bad wire connection.</li> </ol>	<ol style="list-style-type: none"> <li>1. Turn power on or check fuse.</li> <li>2. Turn power off. Loosen canopy, check all connections.</li> </ol>
2. Noisy operation	<ol style="list-style-type: none"> <li>1. Blades are loose.</li> <li>2. Blade is cracked.</li> <li>3. Non-approved speed control.</li> </ol>	<ol style="list-style-type: none"> <li>1. Tighten all blade screws.</li> <li>2. Replace blades (call customer service for special replacement).</li> <li>3. Replace with an approved speed control device.</li> </ol>
3. Excessive wobbling	<ol style="list-style-type: none"> <li>1. Unbalanced blades.</li> <li>2. Blades are loose.</li> <li>3. Fan not securely mounted.</li> <li>4. Fan too close to vaulted ceiling.</li> </ol>	<ol style="list-style-type: none"> <li>1. Switch with blade from opposite side.</li> <li>2. Tighten all blade screws.</li> <li>3. Turn off power. Carefully loosen canopy, and remount securely.</li> <li>4. Lower or move fan. Extension downrods may be offered (call customer service).</li> </ol>
4. Fail to connect the app	<ol style="list-style-type: none"> <li>1. Not the latest APP version.</li> <li>2. Bluetooth function is off.</li> </ol>	<ol style="list-style-type: none"> <li>1. Download the latest version of the APP.</li> <li>2. Turn on the bluetooth function on your phone.</li> </ol>
6. Remote can not control the light or fan	<ol style="list-style-type: none"> <li>1. The batteries on the remote are weak or dead</li> <li>2. The remote lost the pairing code accidentally</li> </ol>	<ol style="list-style-type: none"> <li>1. Replace the batteries.</li> <li>2. Try re-pair the remote with the item.</li> </ol>

Note: A small amount of "wobble" is normal and should not be considered a defect.

SAFETY NOTES

INSIDE THE BOX

INSTALLATION GUIDE

HOW TO USE

TROUBLE SHOOTING

MAINTENANCE

WARRANTY

Due to the fan's natural movement, connections may get loose after a period of usage. To ensure a proper and safety usage, inspect the suspension system and tighten all connections every 6 months.

## Cleaning

Cleaning your fan periodically will prolong its useful life. Basic cleaning procedures are as follows:

1. Please shut off the power before you clean the light fan and replace the bulbs.
2. The bulbs and nearby parts will be still hot after the power is shut off. To avoid burn, please clean them after they are cooled down.
3. Don't use sandpaper, wire brush and other sharp tools to clean the light fan.
4. Don't clean the light fan by using detergents, acid or alkaline solvents.
5. Use only soft or lint-free cloth to clean the light fan.
6. Please dry the light fan by cold-blast air after cleaning, in order to prevent dangerous leakage caused by water infiltrated into electriferous parts of the light fan or prevent rust of wet metal parts.
7. There is no need to oil the fan.



### WARNING!

Always switch off the power prior to the cleaning in the vicinity of electrical parts! (The lamp, fan blades, etc). Wipe up any excess moisture with a cloth or paper towel to prevent any liquid from getting into any electrical parts and causing an electric shock. Please do not use any flammable or toxic cleaning liquids!

# WARRANTY

SAFETY  
NOTES

INSIDE  
THE BOX

INSTALLATION  
GUIDE

HOW TO USE

TROUBLE  
SHOOTING

MAINTENANCE

WARRANTY

## Limited Lifetime Warranty

Orison grants this limited warranty to the original purchaser of this Orison ceiling fan for the original installation location. Thank you for choosing Orison!

## How Can Warranty Service Be Obtained?

A correct proof of purchase is required when requesting any warranty service. The original purchaser must present a sales receipt or other document that establishes proof of purchase. Orison, at its sole discretion, may accept a gift receipt. To obtain this service, you can contact us online or via email at

✉ [orisonsmarthome@gmail.com](mailto:orisonsmarthome@gmail.com)    🌐 [orisonsmarthome.com](http://orisonsmarthome.com)

## What Does This Warranty Cover?

### Motor

#### Limited Lifetime Warranty

If any part of your ceiling fan motor fails during your ownership of the fan due to a defect in material or workmanship, as determined solely by Orison, Orison will provide you with a replacement fan free of charge. \*The foregoing limited warranty applies only to the motor itself and does not apply to electronic controls – such as remote control transmitters, remote control receivers, or capacitors – used in conjunction with the motor. Such electronic control items are included in the one-year limited warranty below.

### Other

#### One-Year Limited Warranty

Except as otherwise indicated throughout this warranty, if any part of your Orison ceiling fan fails at any time within one year of the date of purchase due to a defect in material or workmanship, as determined solely by Orison, Orison will provide a replacement part free of charge.\*

### Light Kits

#### Warranty May Vary

Light kits are included in the one-year limited warranty. However, you may qualify for additional warranty coverage if your fan includes the following:

#### LED Light Kit Modules

##### Three-Year Limited Warranty

If your LED light kit module or LED bulbs (not including glass components) fail at any time within three years of the date of purchase due to a defect in material or workmanship, as determined solely by Orison, Orison will provide a replacement free of charge.\*

\* If no replacement product/part can be provided for your fan within 45 days, we will provide a comparable or superior replacement product/part at the sole discretion of Orison.

# WARRANTY

## What Does This Warranty NOT Cover?

Labor Excluded. This warranty does not cover any costs or fees associated with the labor (including electrician's fees) required to install, remove, or replace a fan or any fan parts.

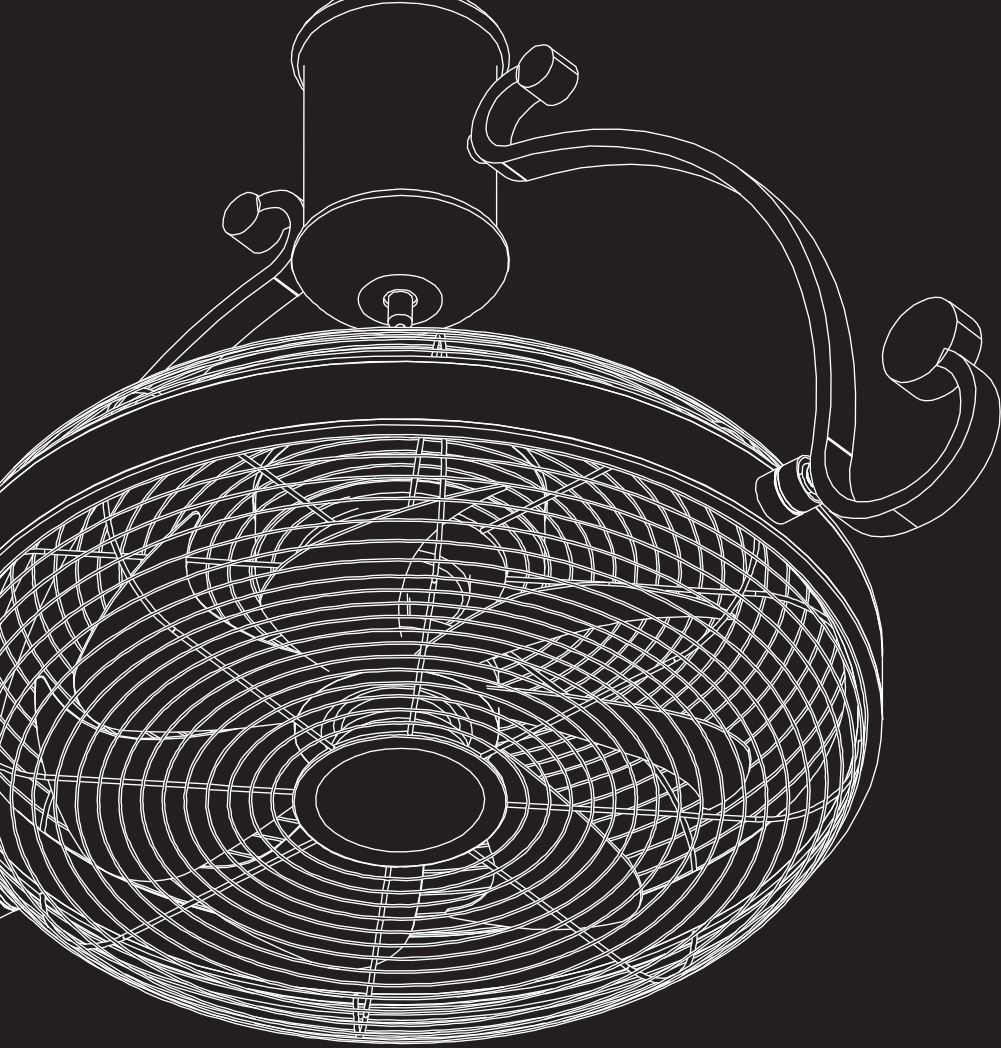
There is no warranty for remote control batteries; fans purchased or installed outside your country; fans owned by someone other than the original purchaser; fans for which proof of purchase has not been established; fans purchased from an unauthorized dealer; ordinary wear and tear; minor cosmetic blemishes; refurbished fans; and fans that are damaged due to any of the following: improper installation, misuse, abuse, improper care, failure to follow Orison's instructions, accidental damage caused by the fan owner or related parties, modifications to the fan, improper or incorrectly performed maintenance or repair, improper voltage supply or power surge, use of improper parts or accessories, failure to provide maintenance to the fan, or acts of God (e.g. flooding, tornadoes, etc).

THE ORIGINAL PURCHASER'S SOLE AND EXCLUSIVE REMEDY FOR A CLAIM OF ANY KIND WITH RESPECT TO THIS PRODUCT SHALL BE THE REMEDIES SET FORTH HEREIN. Orison Fan COMPANY IS NOT RESPONSIBLE FOR CONSEQUENTIAL OR INCIDENTAL DAMAGES, DUE TO PRODUCT FAILURE, WHETHER ARISING OUT OF BREACH OF WARRANTY, BREACH OF CONTRACT, OR OTHERWISE. Some places do not allow the exclusion or limitation of incidental or consequential damages, so the above limitation or exclusion may not apply to you.

ANY IMPLIED WARRANTIES OF MERCHANTABILITY OR FITNESS FOR A PARTICULAR PURPOSE APPLICABLE TO THIS PRODUCT ARE LIMITED IN DURATION TO THE PERIOD OF COVERAGE OF THE APPLICABLE LIMITED WARRANTIES SET FORTH ABOVE. Some places do not allow limitations on how long an implied warranty lasts, so the above limitation may not apply to you.

## How Does State Law Affect Warranty Coverage?

This warranty gives you specific legal rights. You may also have other rights which vary from where you are.



**Reach out to us, it's easy!**

🌐 [orisonsmarthome.com](https://orisonsmarthome.com)

✉️ [orisonsmarthome@gmail.com](mailto:orisonsmarthome@gmail.com)



Online service  
Reply within 12 hours