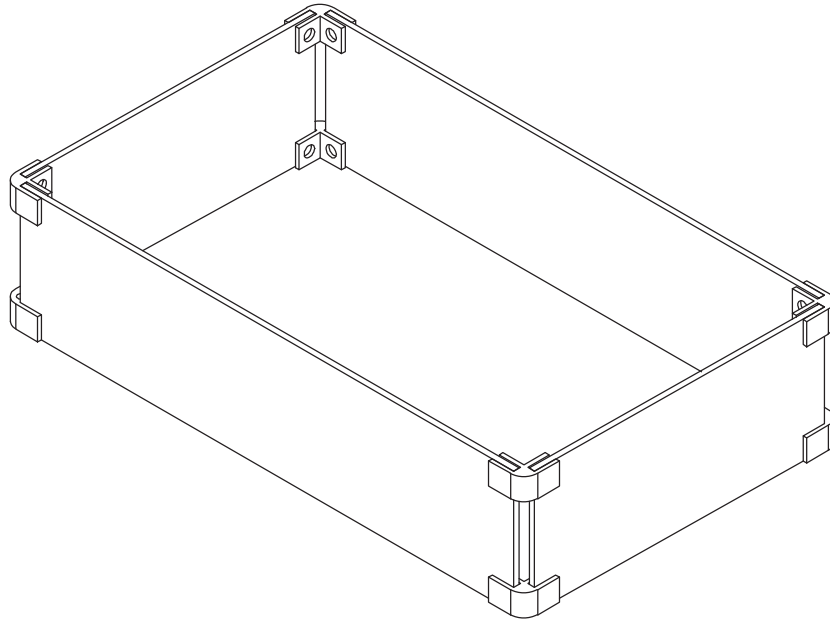
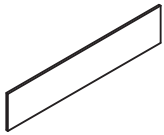
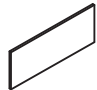
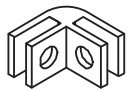


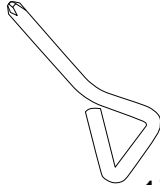


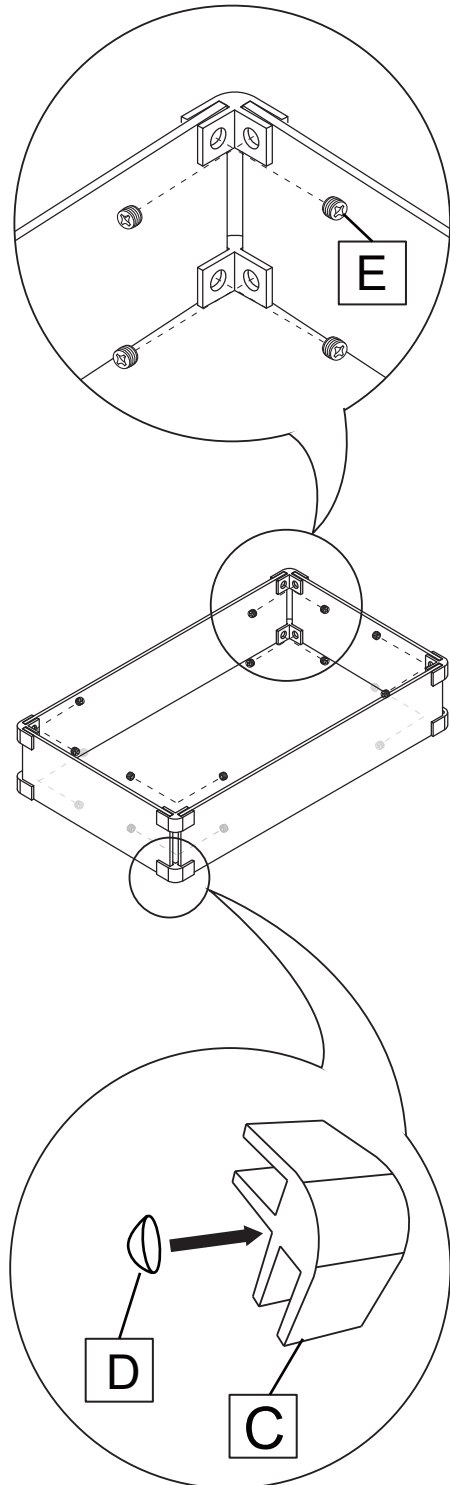
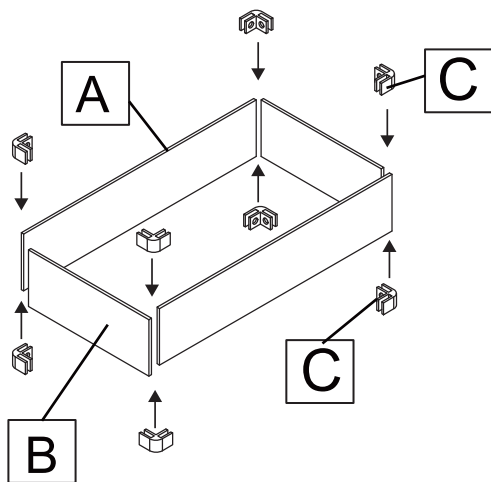
Glass Wind Guard Assembly Instructions



Parts List					
A	B	C	D	E	F
					
2X	2X	8X	4X	16X	1X
Long glass panel	Short glass panel	Connector	3M Glue	Screw	

STEP1

Take out 2 of the Glass panels(#A, #B) and place them as the diagram shows at right angles. Insert a Connector(#C), then fix them separately with Screw(#E) at the correct position.



STEP2

Fix the other three corners in the same way and apply 3M Glue feet(#D) to the connectors(#C).