

# ALUMINUM PATIO EXTENDABLE DINING TABLE

For Sera & Sera Pro

---

SIZE(W\*D\*H):

SERA: 59.1\*35.4\*29.9INCHES (MIN)

88.6\*35.4\*29.9INCHES (MAX)

SERA PRO: 70.9\*35.4\*29.9INCHES (MIN)

106.3\*35.4\*29.9INCHES (MAX)

WEIGHT CAPACITY: 165 LBS

# CONTENTS INDEX

Warranty.....	1
Table of contents.....	1
Parts List.....	2
Assembly Instructions.....	3

## WARRANTY

- We highly value customer's user experience. Please contact us freely if there's any parts missing or damaged. We will provide professional advice or efficient customer support in 24 hours.
- These information will be required to offer under the 12 months warranty.

Product Model: .....

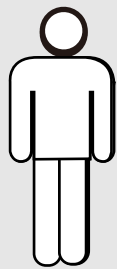
Order ID: .....

Purchase date: .....

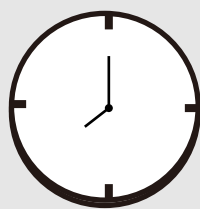
## BEFORE INSTALLATION

- Please list all parts as below first to check if any part is missing and make assembly easier.
- Do be careful that some parts are heavy and sharp.
- Please follow the assembly steps to install the product, if you find spare parts left, don't be worried, the left spare parts are prepared for bad ones if occurred. Please fully tighten all screws only when they are in place.
- Please do not exceed the bearing limitations of the product.
- Reconfirm that all bolts, screws, and knobs are secure every 90 days.
- Please retain these instructions for future reference.

## TOOLS REQUIRED



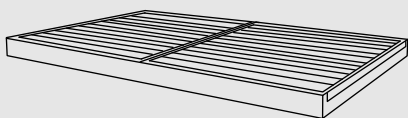
2 person assembly



30min assembly

## PARTS LIST

A



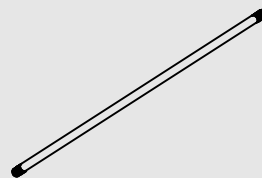
1PC

B



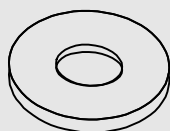
4PCS

C



4PCS

D



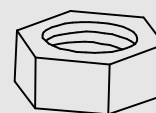
8PCS

E



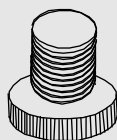
8PCS

F



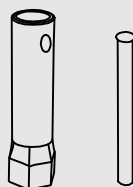
8PCS

G



4PCS

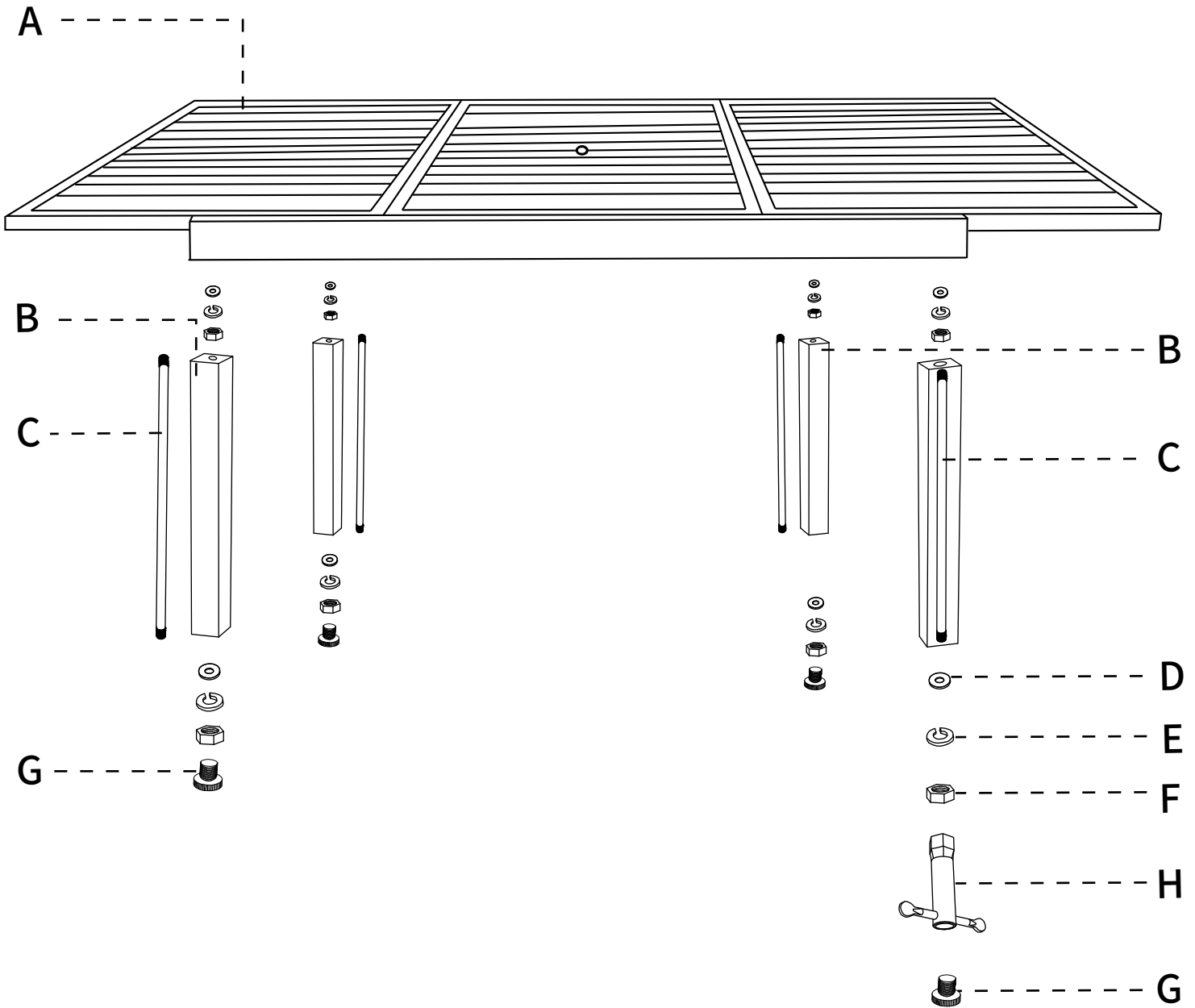
H



1PC

★ **NOTE:** Please unscrew the 4 pcs plastic adjustment feet( G )from 4Legs ( B )before assembly.

# TABLE OF CONTENTS



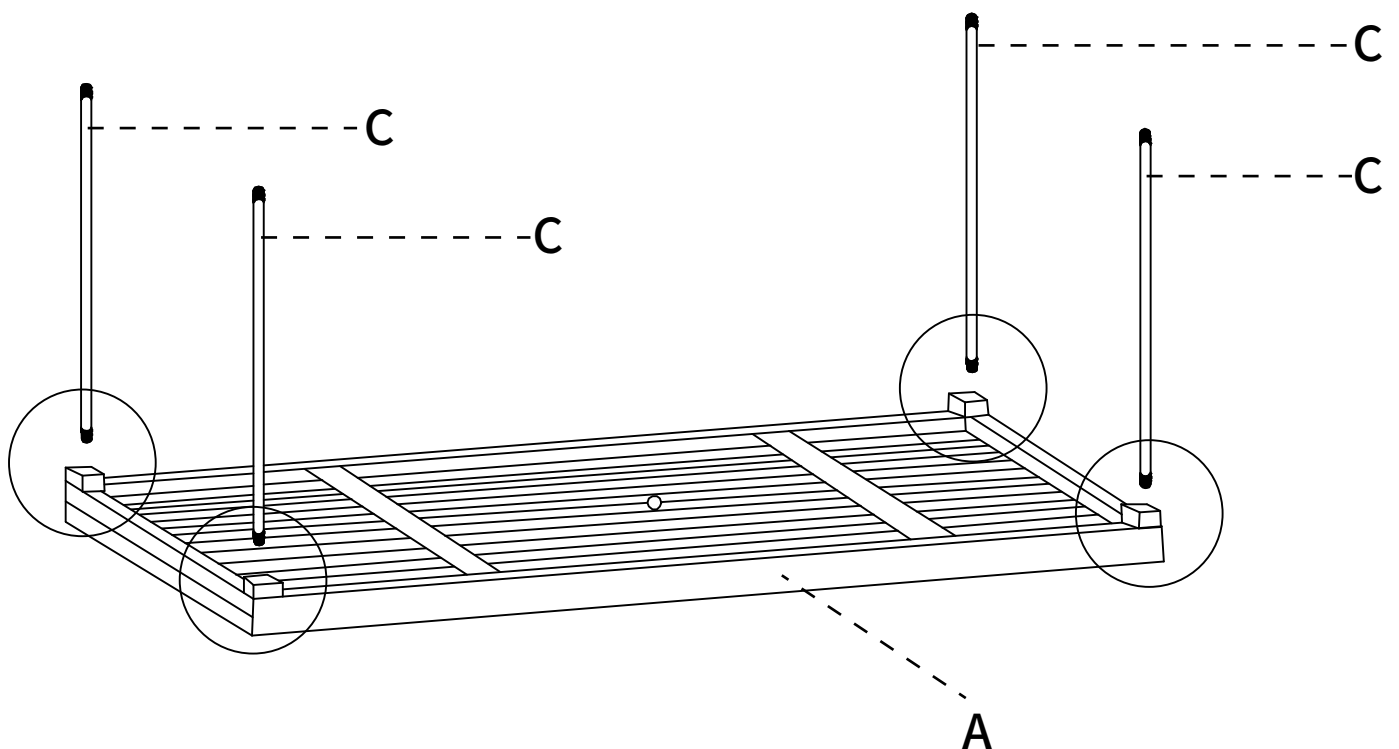
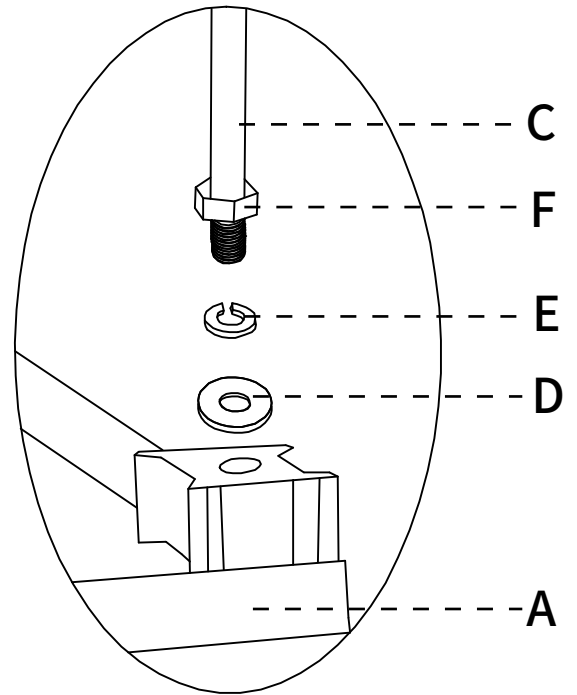
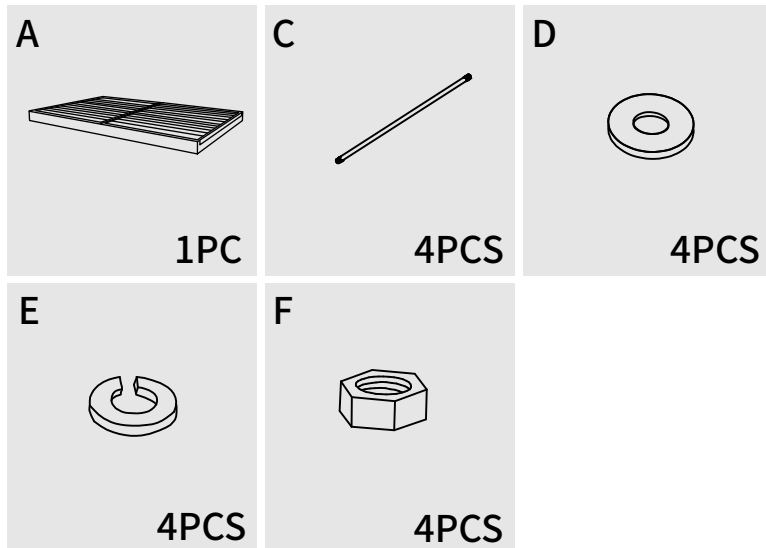
## **ATTENTION**

When installing, we suggest you can assemble it on the carton which come with the product, or any other clean floor to avoid the desktop being scratched.

# ASSEMBLY INSTRUCTIONS

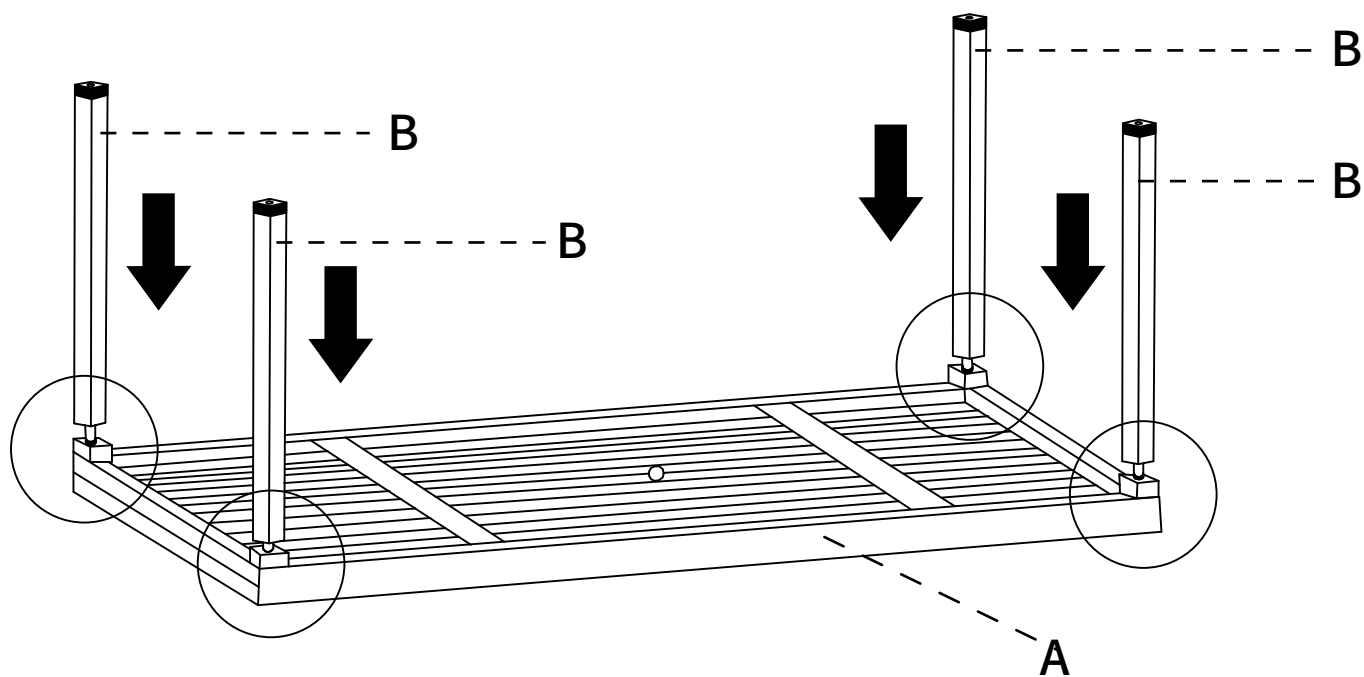
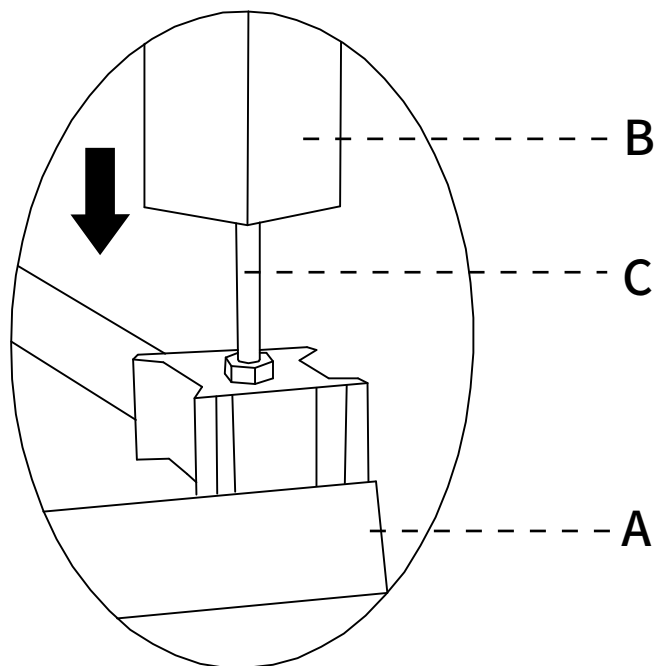
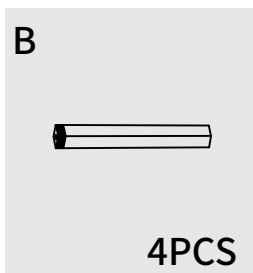
Step 1 Assemble the leg C to the top plate with the screw D, E, F.

★ **NOTE:** Please follow the correct sequence to put the screw D first, then screw E and screw F.



# ASSEMBLY INSTRUCTIONS

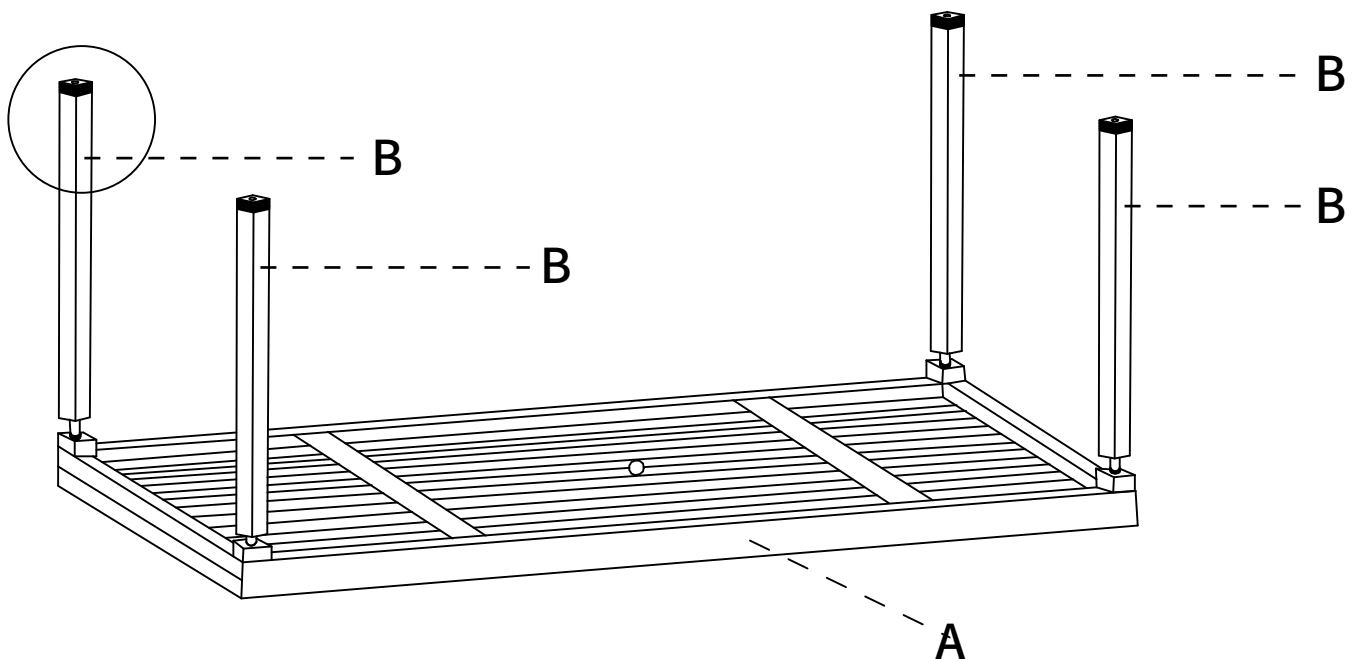
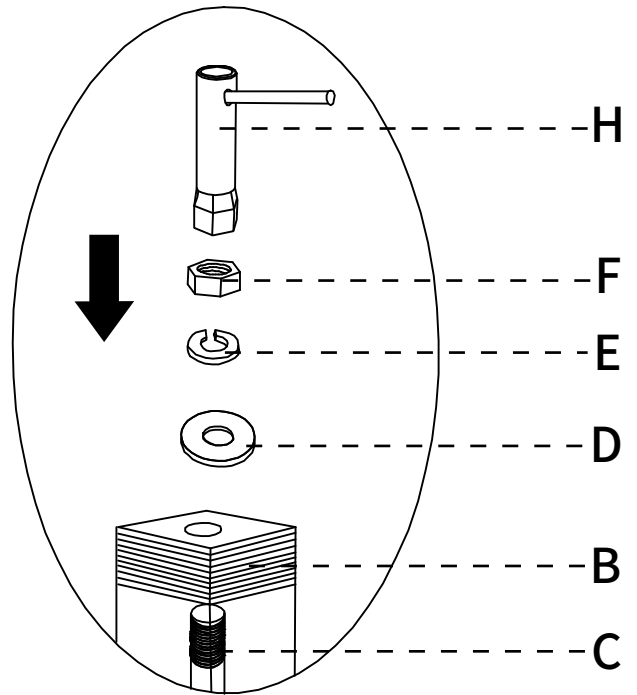
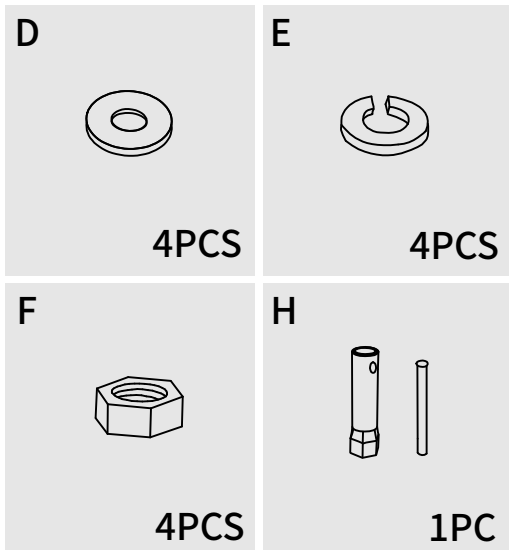
Step 2 Assemble the Leg B to the Support Iron C.



# ASSEMBLY INSTRUCTIONS

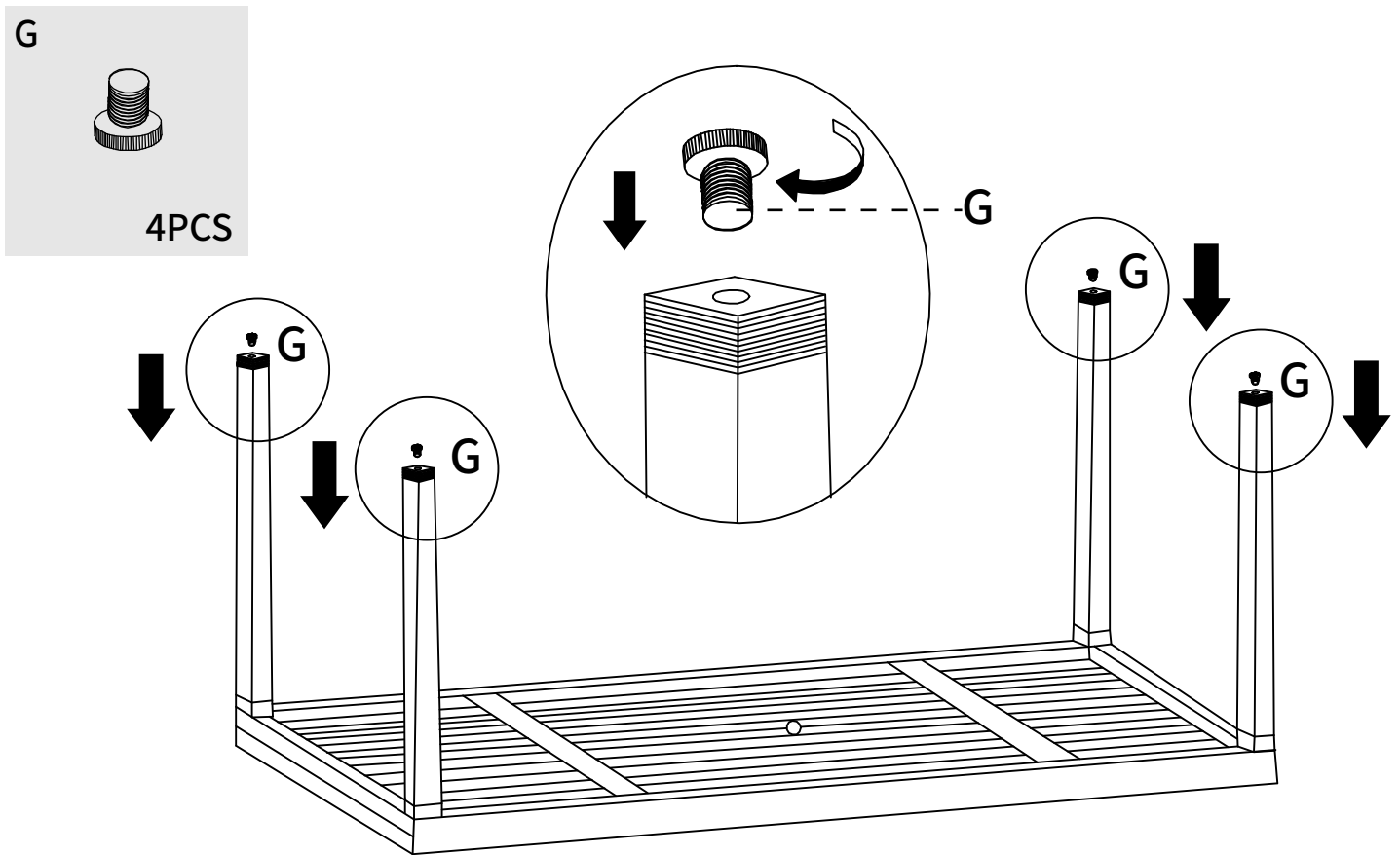
Step 3 Secure the leg B to the Support Iron C with the screw D, E, F.

★ **NOTE: Please follow the correct sequence to put the screw D first, then screw E and screw F. You could use the Tool H to tighten the screws.**

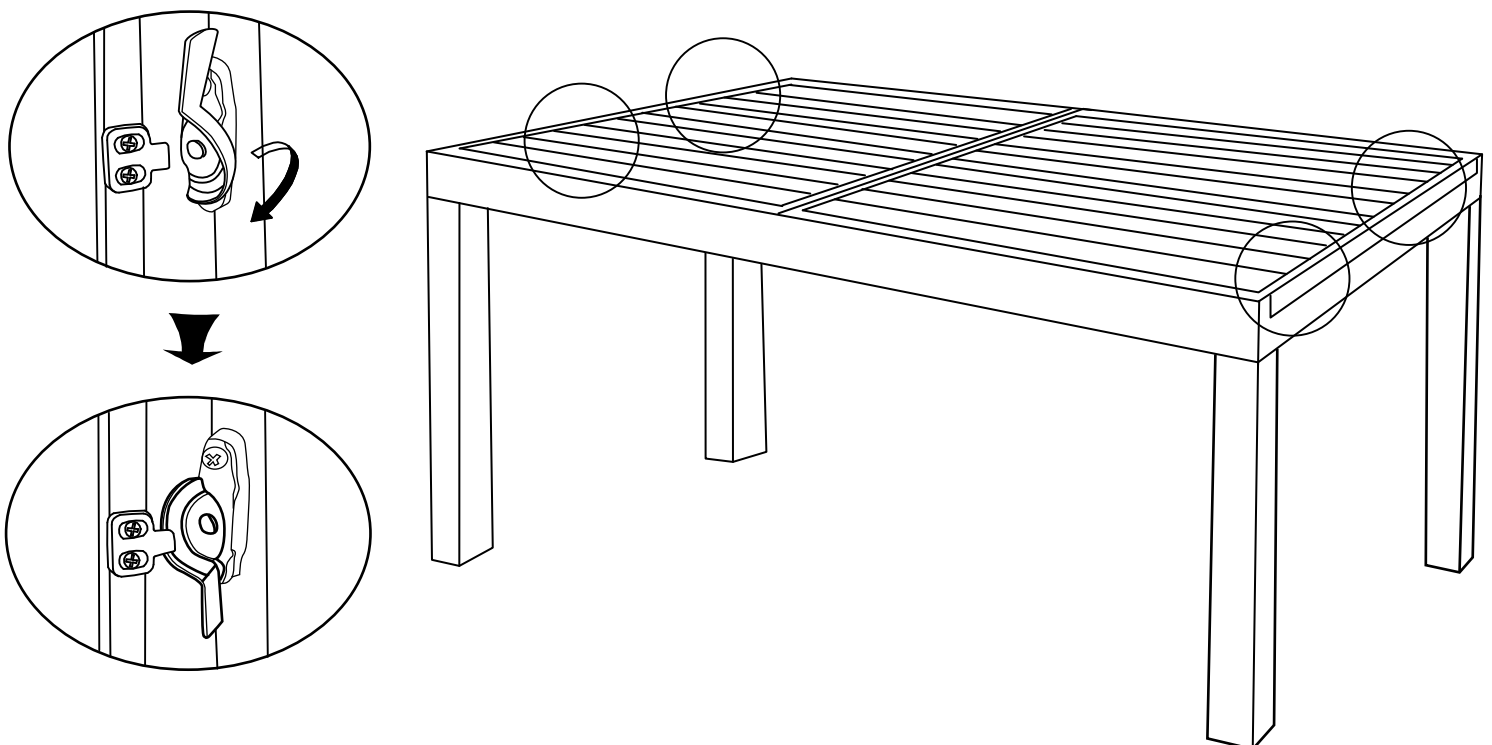


# ASSEMBLY INSTRUCTIONS

Step 4 Assemble the Adjustable Foot G to the Leg B. G.



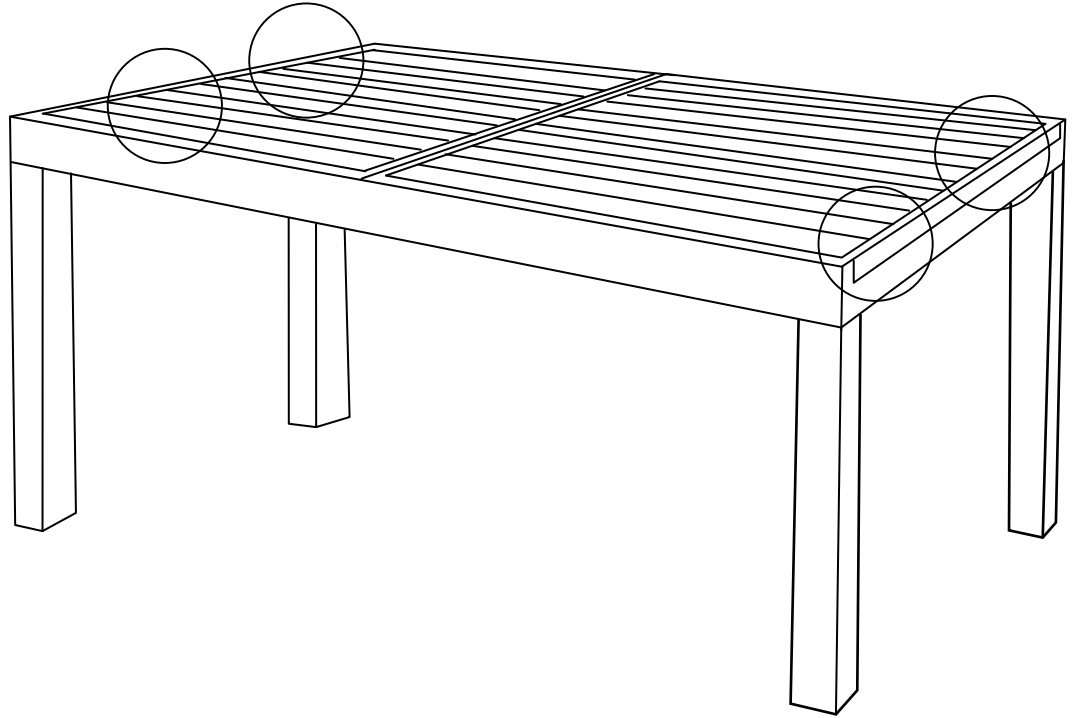
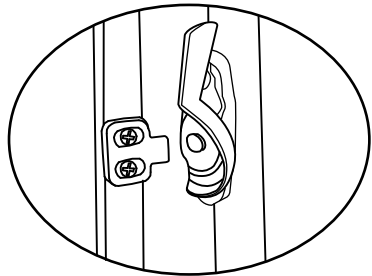
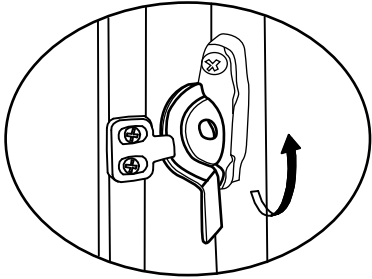
Step 5 Secure the table panels with the 4 security locks.



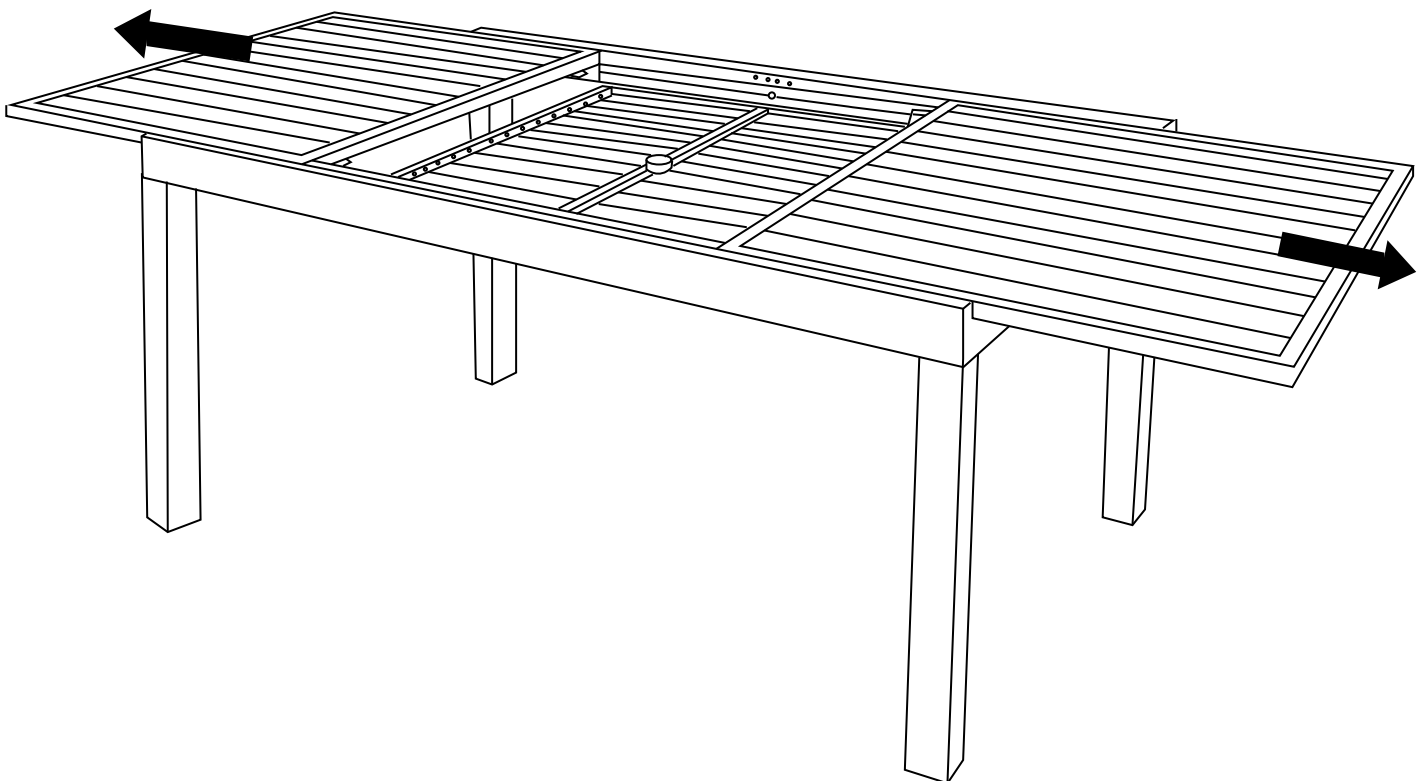


# HOW TO EXTEND THE TABLE PANELS

**A** Unlock the 4 security locks which are under the top table panel.

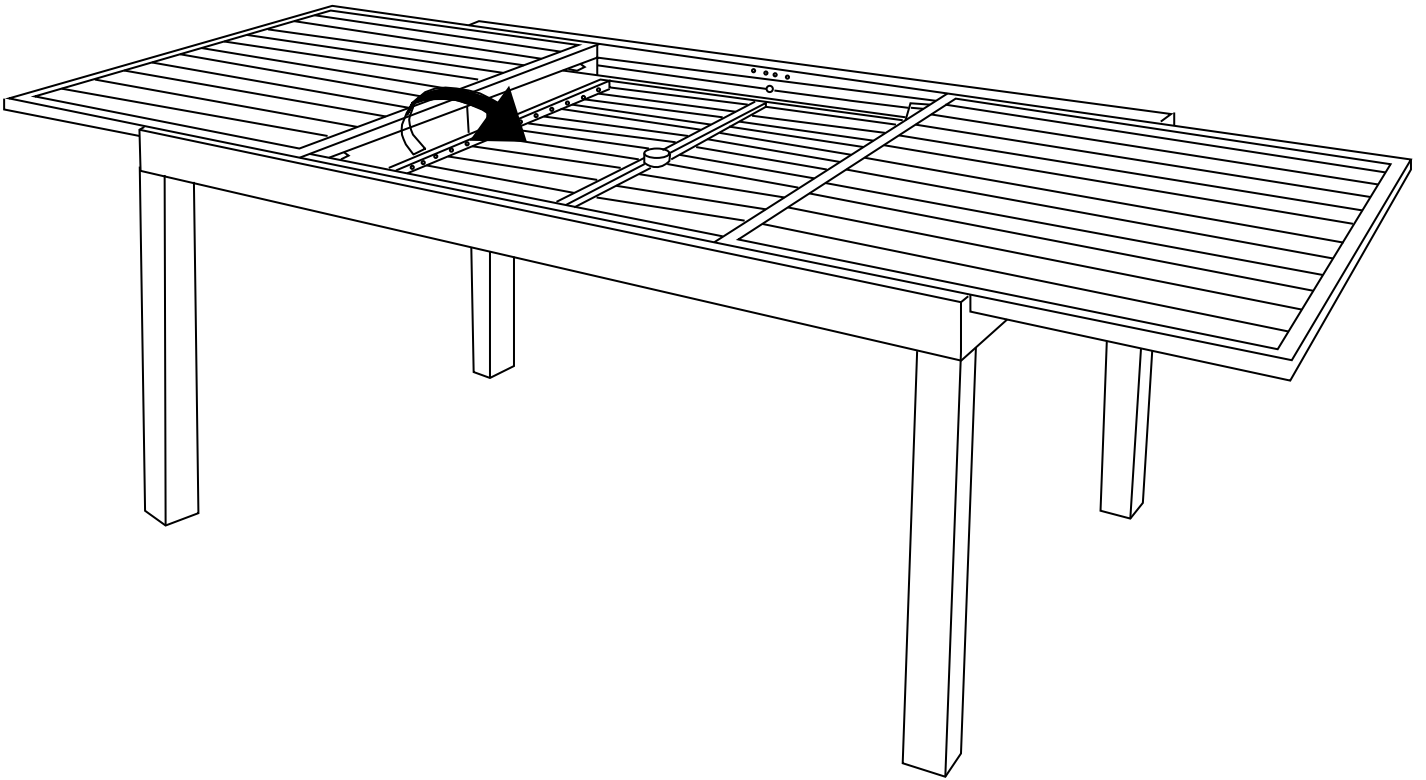


**B** Pull the left and right side panel outwards to extend the table.



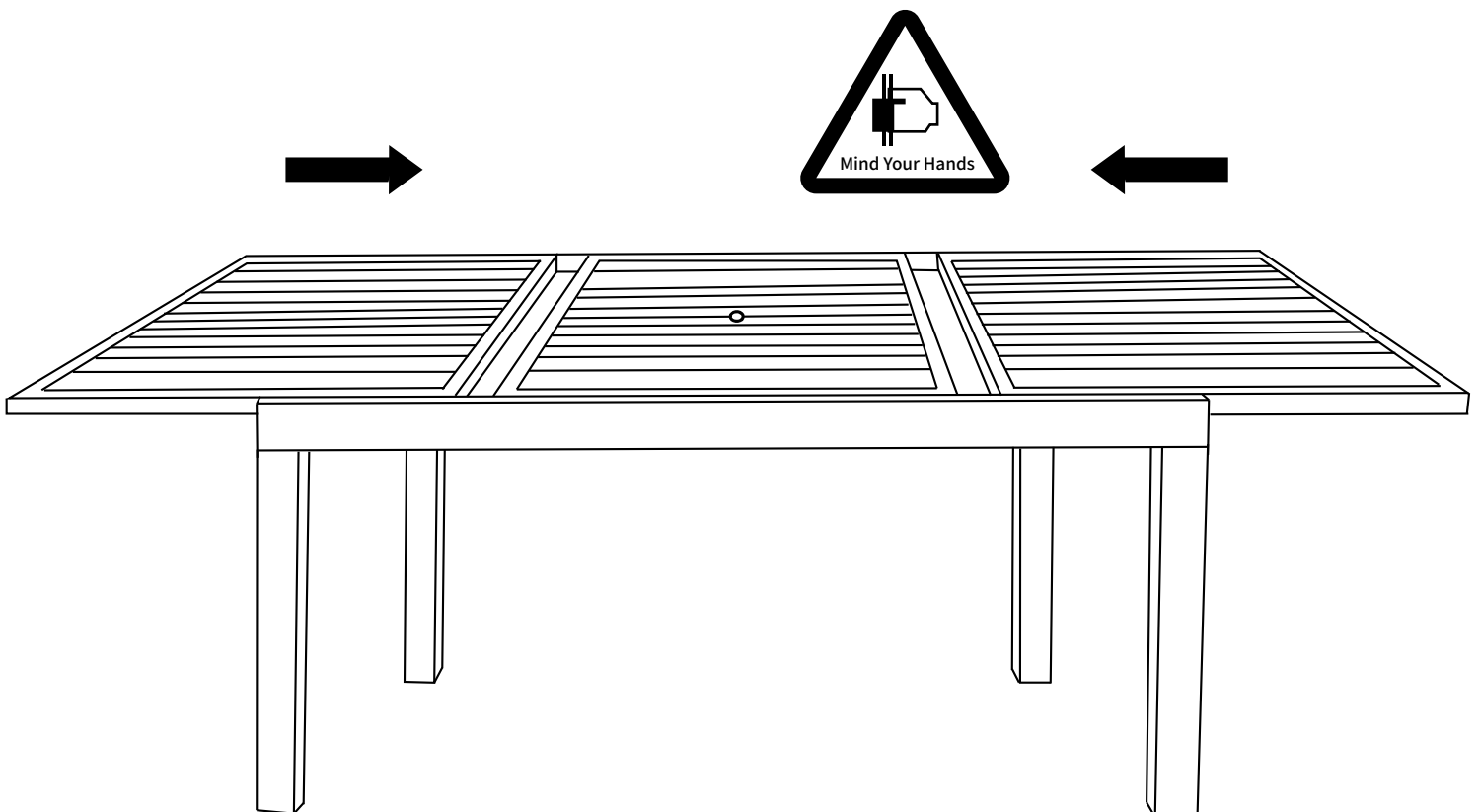
**C** Slowly turn the middle table panel which is under the tabletop.

★ **NOTE:** Please follow the direction and don't turn the panel from the opposite direction.

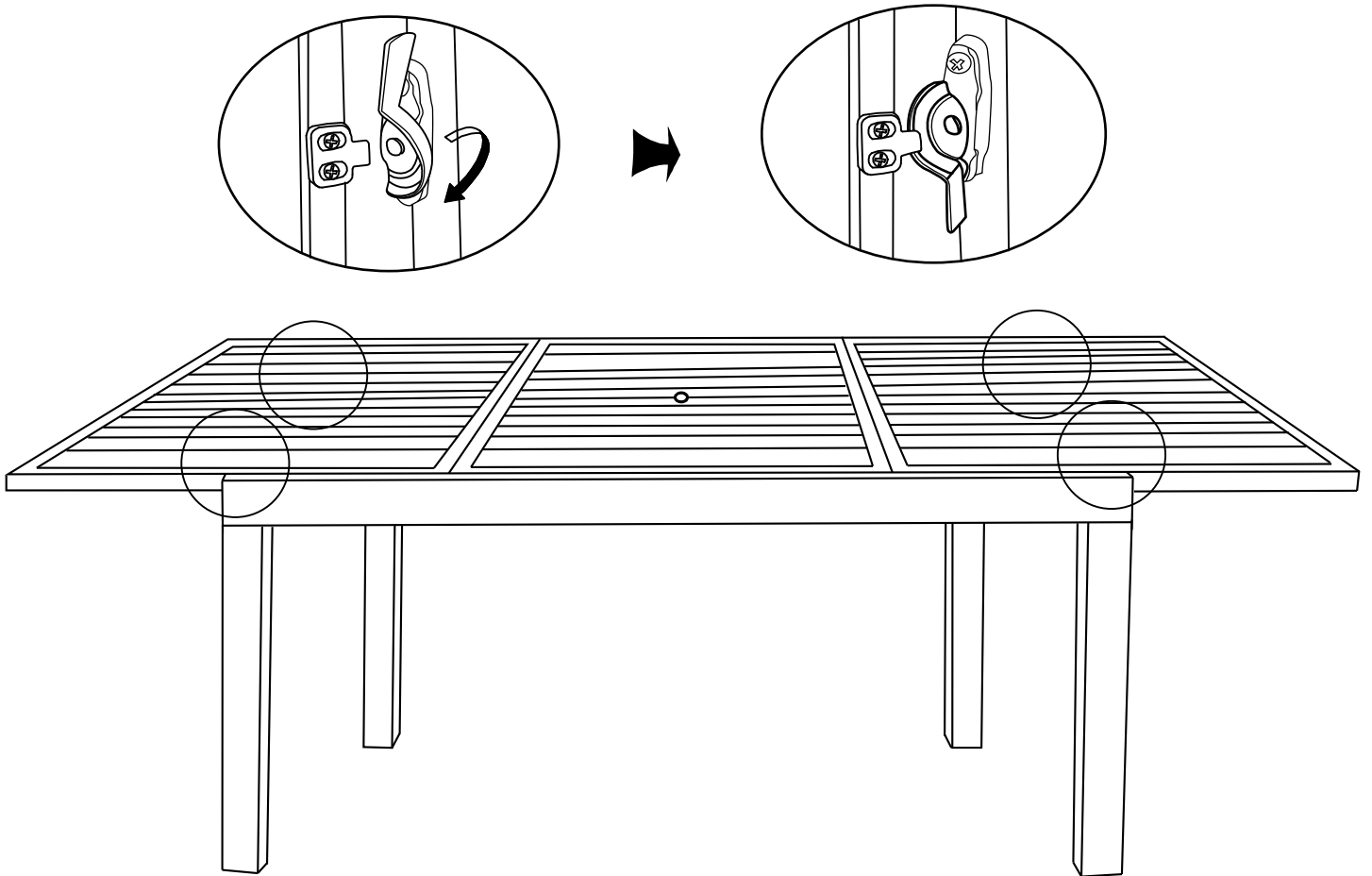


**D** Push the left and right panel to firmly close to the middle panel.

★ **NOTE:** Be careful and prevent the hand pinch when push the side panels.

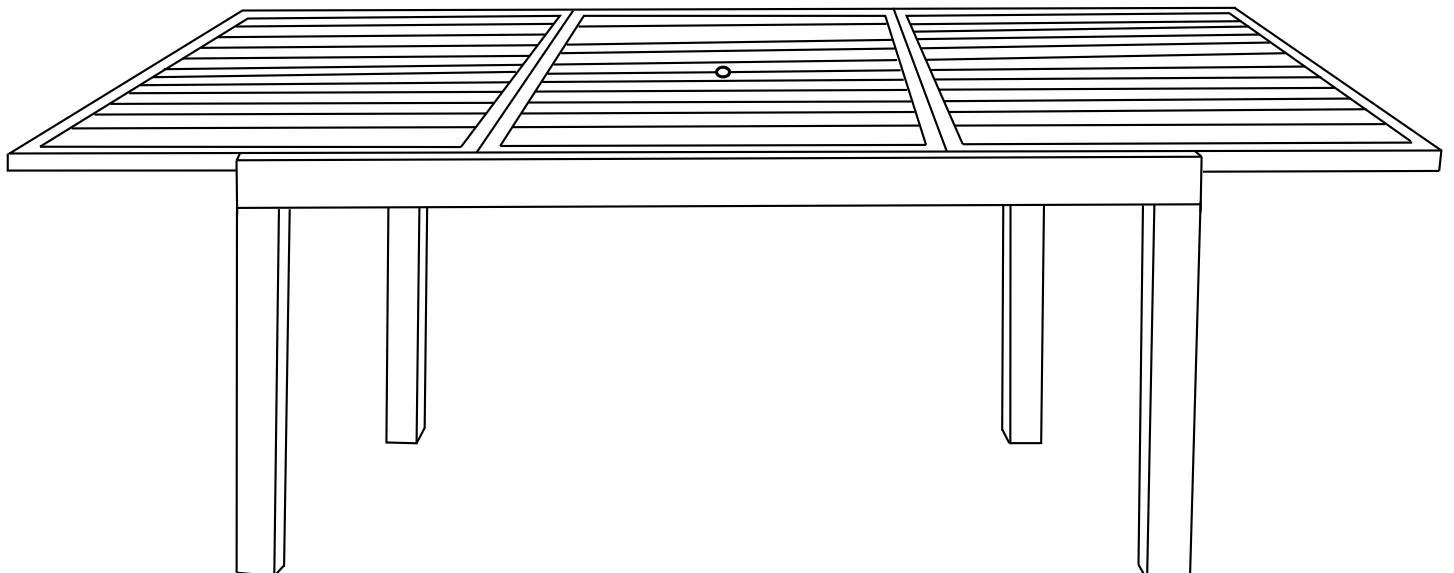


**E** Secure the 4 security locks.



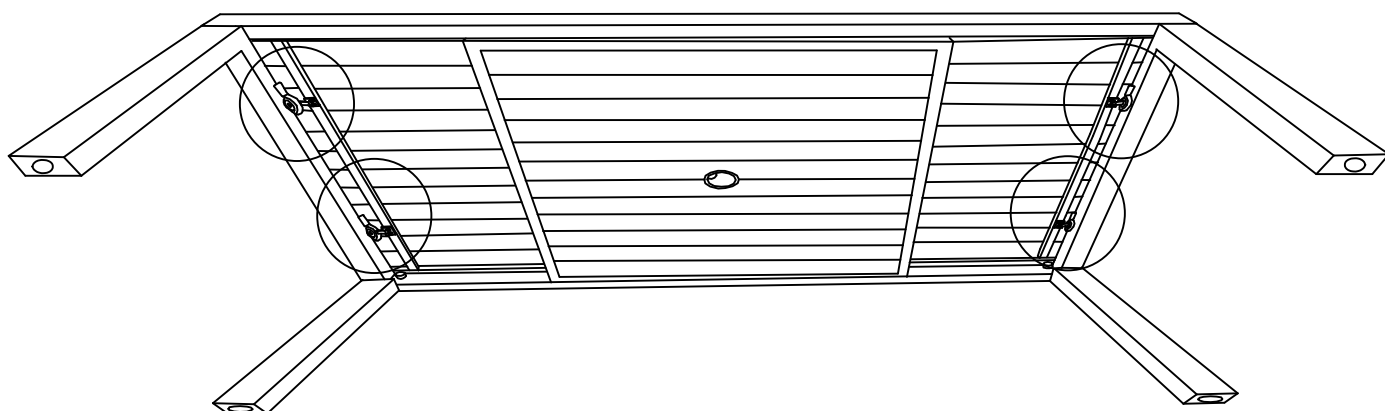
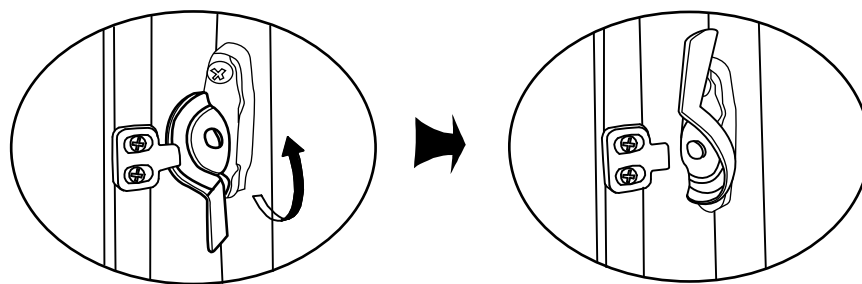
**F** Now you have finish extending the side panels.

★ **NOTE: Do not sit on the side panel which may lead the table tip over or make the side panel break down.**

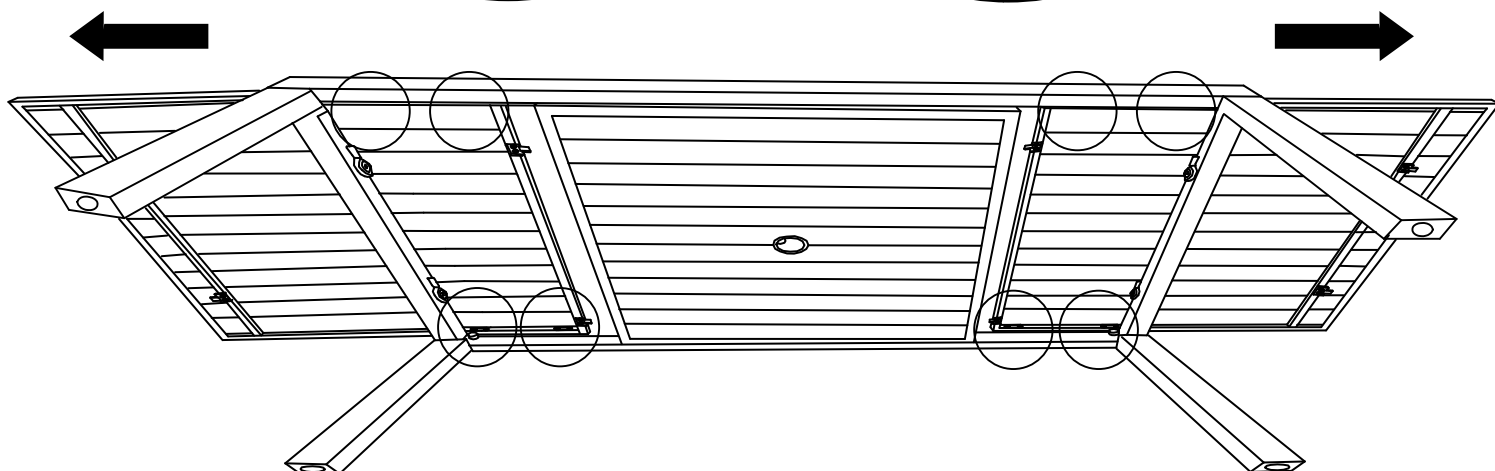
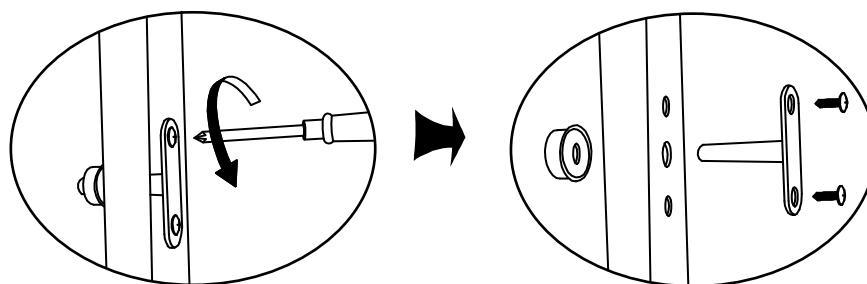


# HOW TO REPLACE THE SIDE PANELS

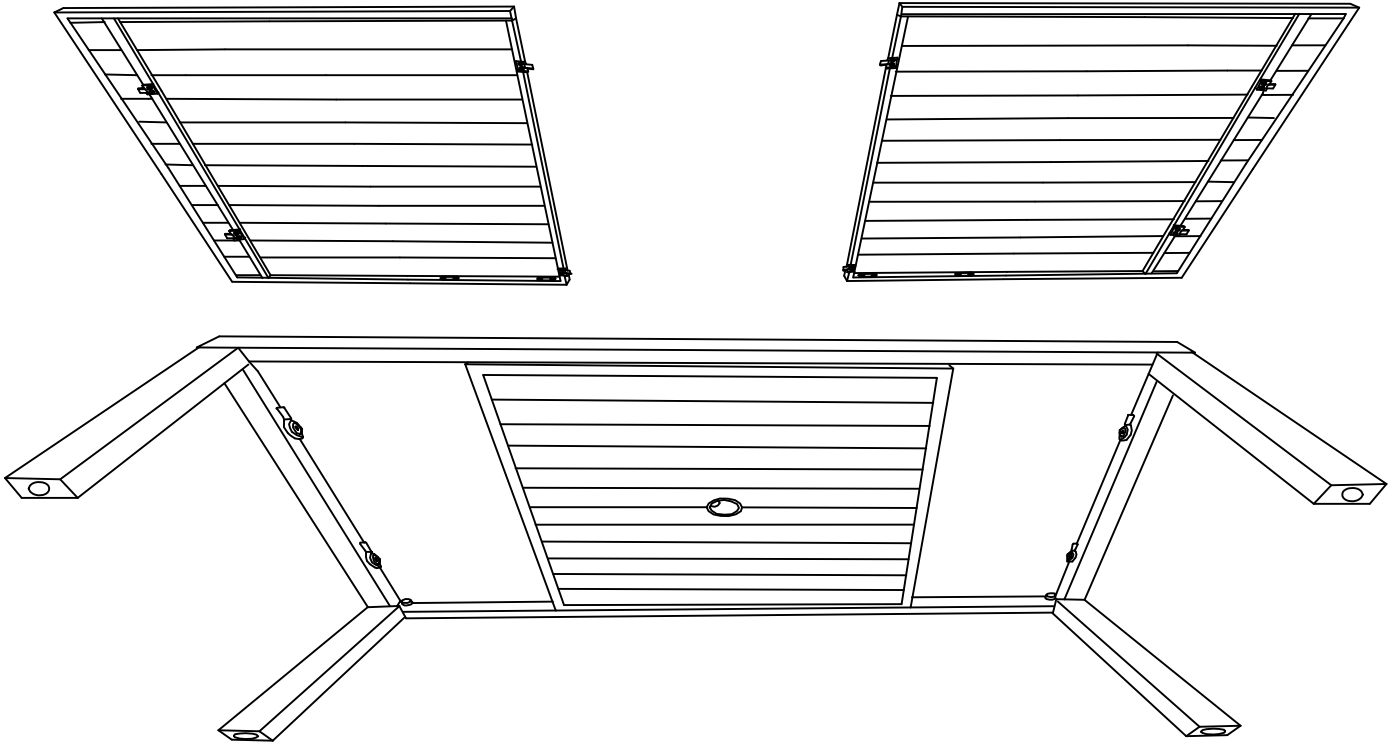
**A** Slowly put down the table and unlock the security locks.



**B** Unscrew the side panels screws and nuts.



**C** Now you can replace the new panels.



## CARE & MAINTENANCE

- Do not put hot items directly on furniture surface.
- Do not clean furniture with harsh cleansers or polish.
- To obtain the longest lifespan of your products, minimizing exposure to
- direct sunlight is recommended.
- Children should not climb or jump on the furniture.
- Do not write on furniture without a padded barrier to protect the surface.
- Stains may be removed with mild soap solution and damp cloth.
- Keep away from sources of fire.

**Q: Some parts are missing, I could not finish assembly.**

A: Please kindly circle missing parts in the parts list of the manual, and send pictures to our service team. We will prepare and ship them to you for free ASAP.

**Q: My item occurs a quality problem. I am not satisfied with it.**

A: Please kindly take it easy and provide us pictures. We would help you to solve it by send replacement parts, replacement products or refund.

**Q: The color is not the same as I ordered. How to solve it?**

A: Please kindly help to provide us the pictures of the SKU number, the shipping label on the carton and also the product itself, better in one picture. Your pictures will help us to speed up solving the problem.

**Q: How to prolong the service life of this item?**

A: When it is stained with dusts, oil or sweat, please wipe with a damp cloth. You'd better use a cover when it is out of use.

If you have any problem with this product or our service, we welcome to contact us right away, our service team will response within 24 hours, we will try our best to help you. Thank you for giving us a chance to improve the product and our service.