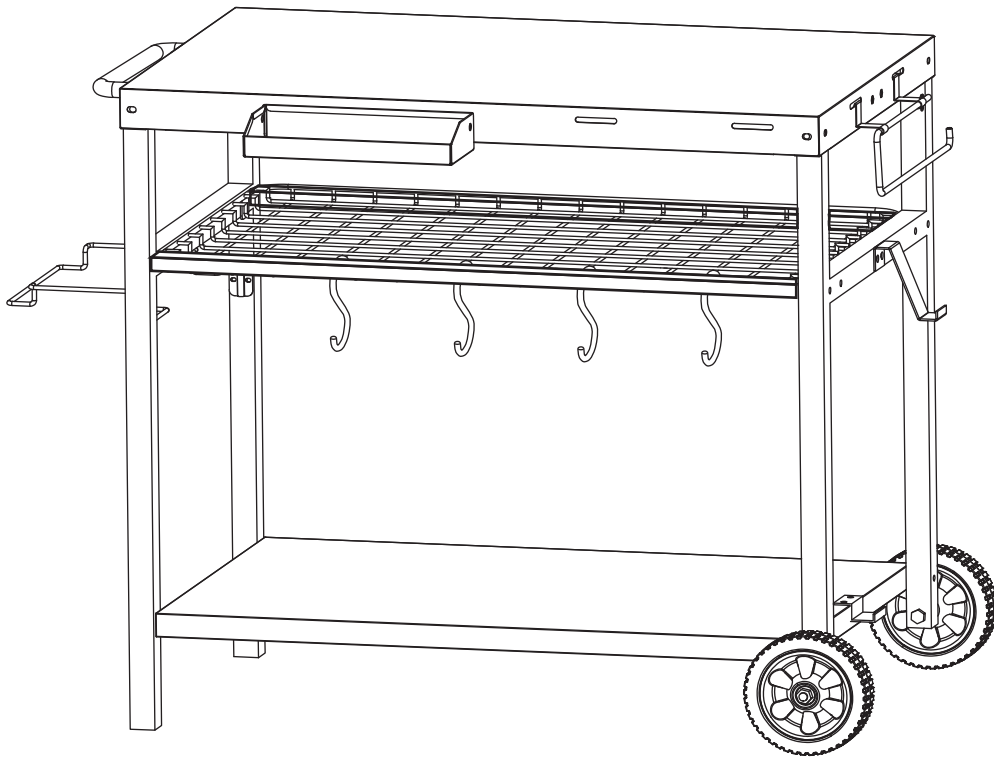


PIZZELL

THE ARTISANS OF PIZZA



Three-Shelf Dining Cart Table Assembly Instructions



Contents Index

Warranty..... 1
Table of contents.....1
Parts List.....2
Assembly Instructions.....3-8

Warranty

**For any queries or assistance mail
Promise to responded within 24 hours**



Customer Service
support@pizzello.com

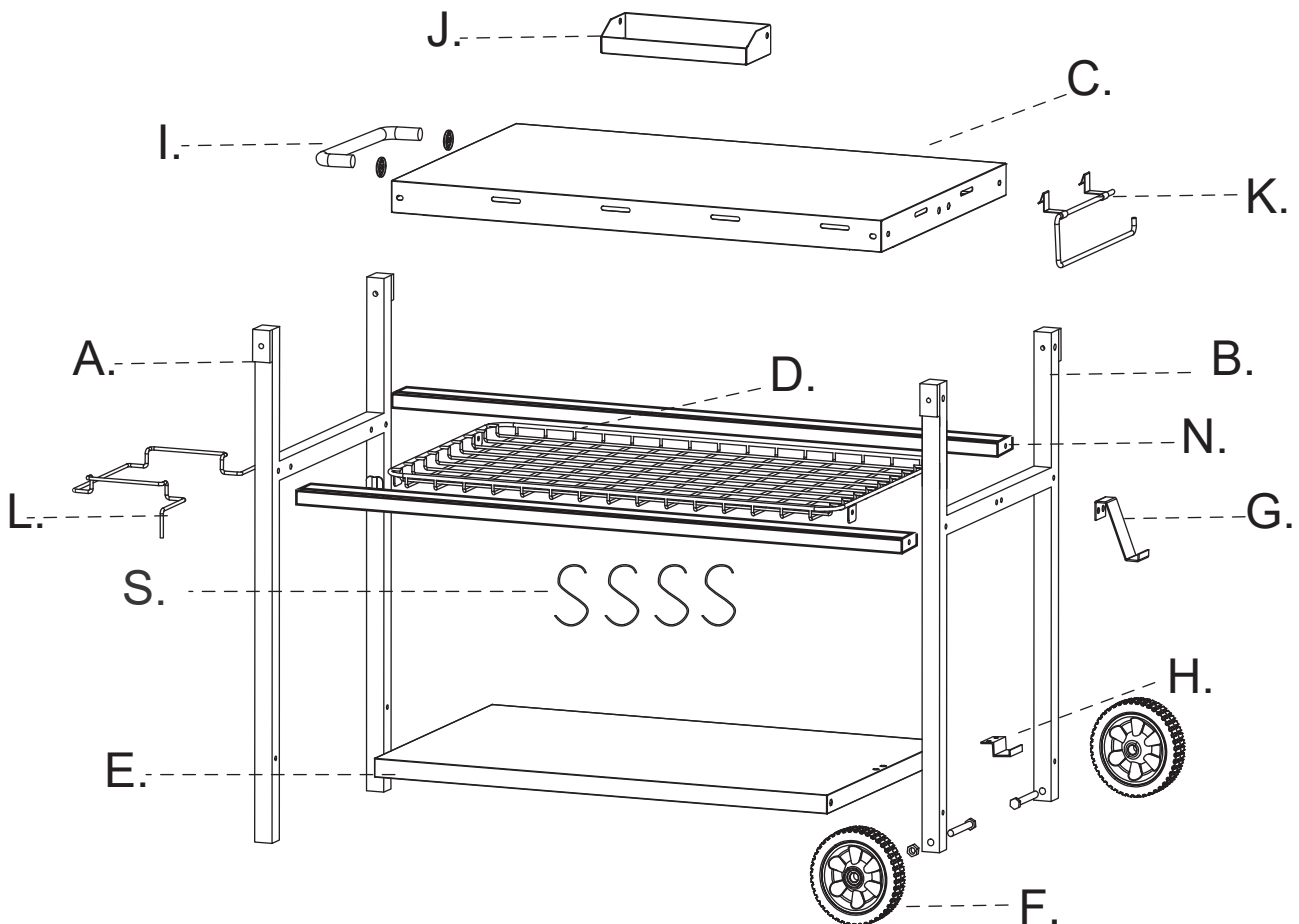
**These information will be required to offer under
the 12 months warranty.**

Product Model:

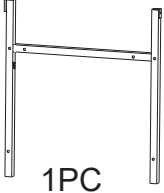
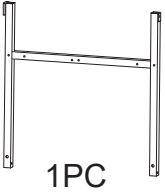






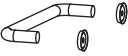

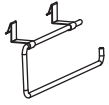
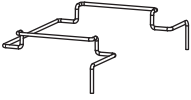


Order ID:








Purchase date:

TABLE OF CONTENTS



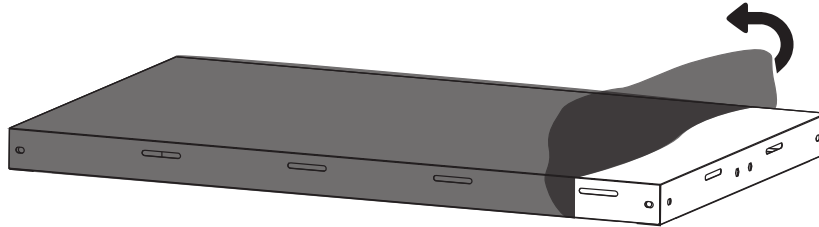
Parts List

<p>A.</p>  <p>1PC</p>	<p>B.</p>  <p>1PC</p>	<p>C.</p>  <p>1PC</p>	<p>D.</p>  <p>1PC</p>
<p>E.</p>  <p>1PC</p>	<p>F.</p>  <p>2PCS</p>	<p>G.</p>  <p>1PC</p>	<p>H.</p>  <p>1PC</p>
<p>I.</p>  <p>1PC</p>	<p>J.</p>  <p>1PC</p>	<p>K.</p>  <p>1PC</p>	<p>L.</p>  <p>1PC</p>
<p>M.</p>  <p>1PC</p>	<p>N.</p>  <p>2PCS</p>		

P		Screw M6*12	8PCS	T		Nut M10	2PCS
Q		Screw M6*16	8PCS	U		Nut M10	2PCS
R		Screw M6*40	10PCS	V		Screw M10*85	2PCS
S		Hook	4PCS				

Assembly Instructions

- Step 1 If you buy the cart with stainless steel tabletop, you need to remove the protective film of the stainless steel tabletop. If you buy the black one, skip it.

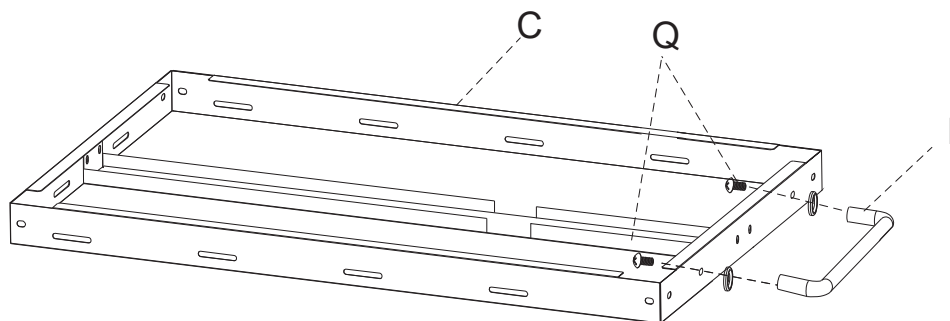


ATTENTION

When installing, we suggest you can assemble it on the carton which come with the product, or any other clean floor to avoid the desktop being scratched.

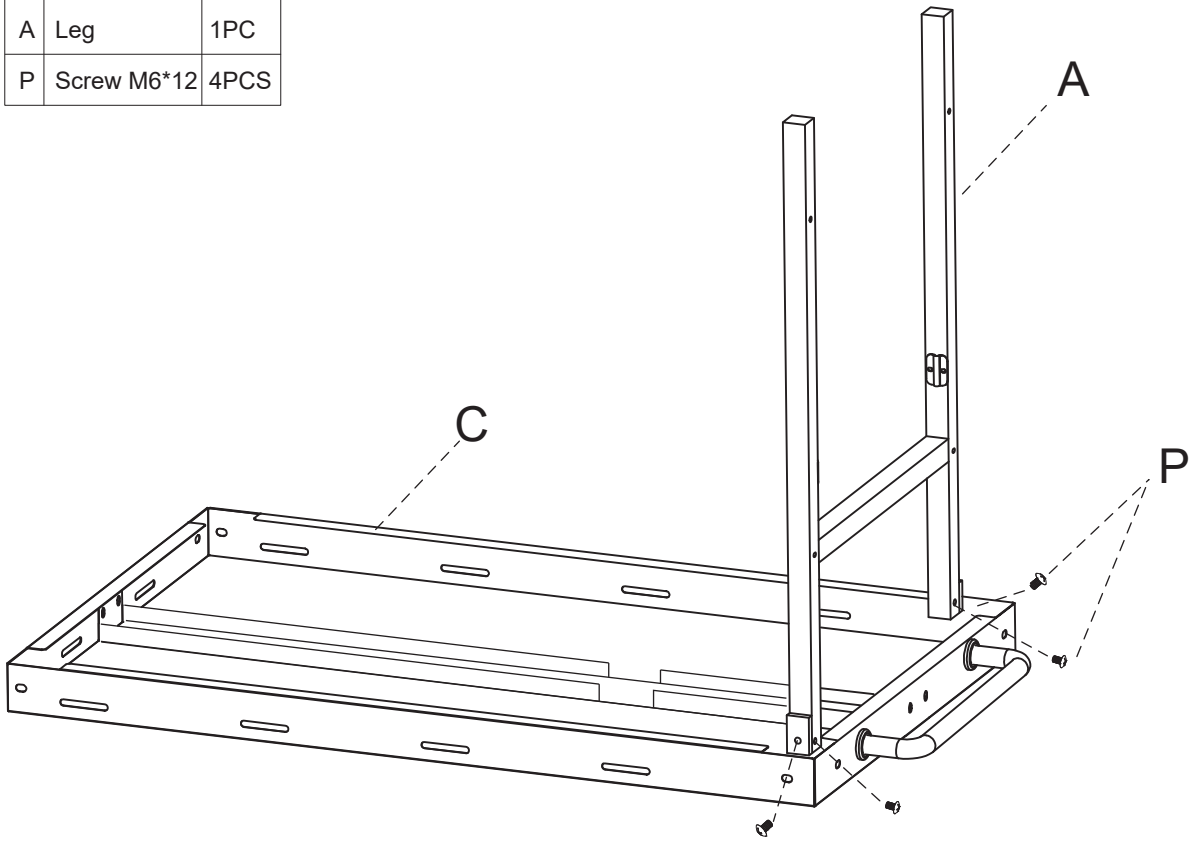
- Step 2 Assemble the side handle I to the top plate with 2pcs washers and 2pcs screw Q. (Note: There has a crossbar under the stainless steel tabletop, and the crossbar has a gap which is not defective, it's product design.)

C	Top Plate	1PC
I	Side Handle	1PC
Q	Screw M6*16	2PCS



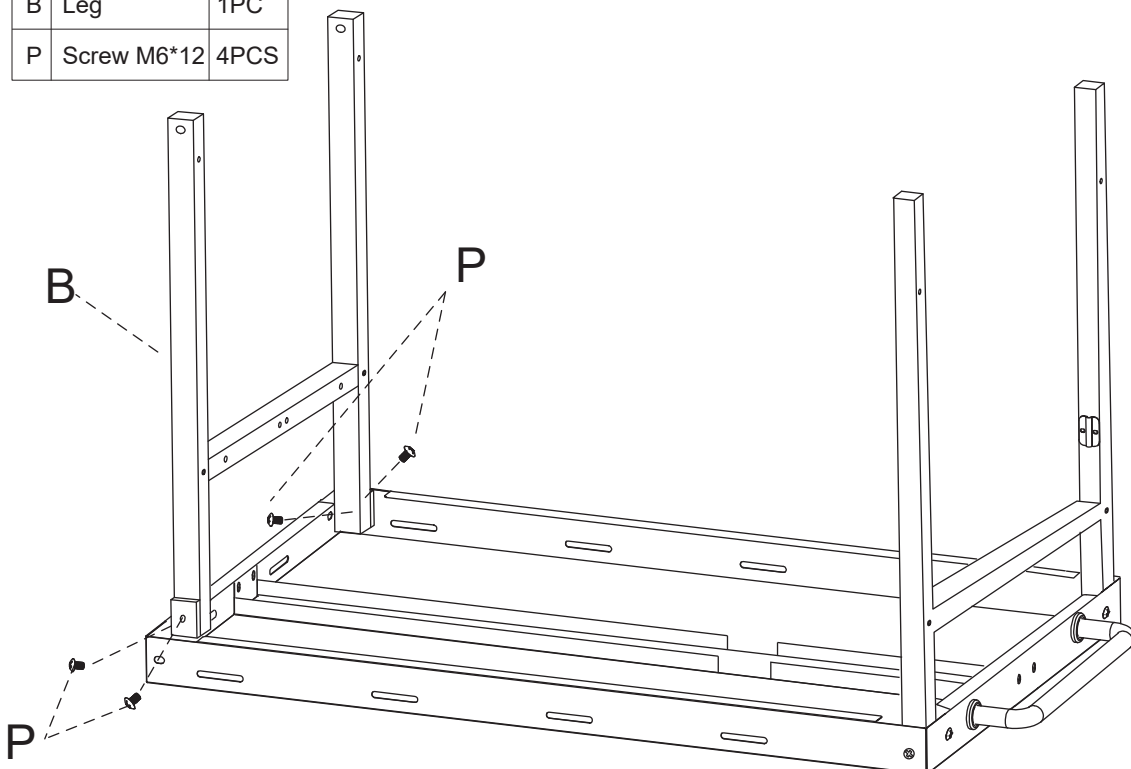
Step 3 Assemble the leg A to the top plate with 4pcs screw P.

A	Leg	1PC
P	Screw M6*12	4PCS



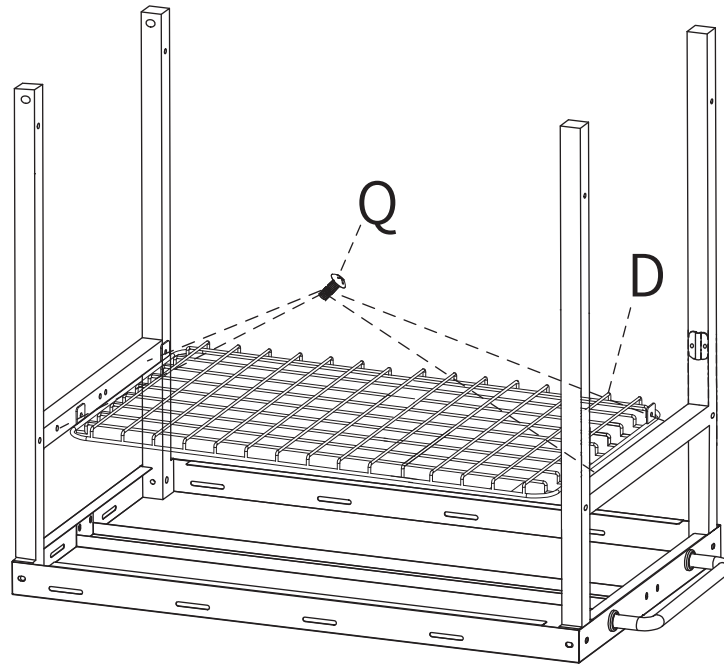
Step 4 Assemble the leg B to the top plate with 4pcs screw P.

B	Leg	1PC
P	Screw M6*12	4PCS



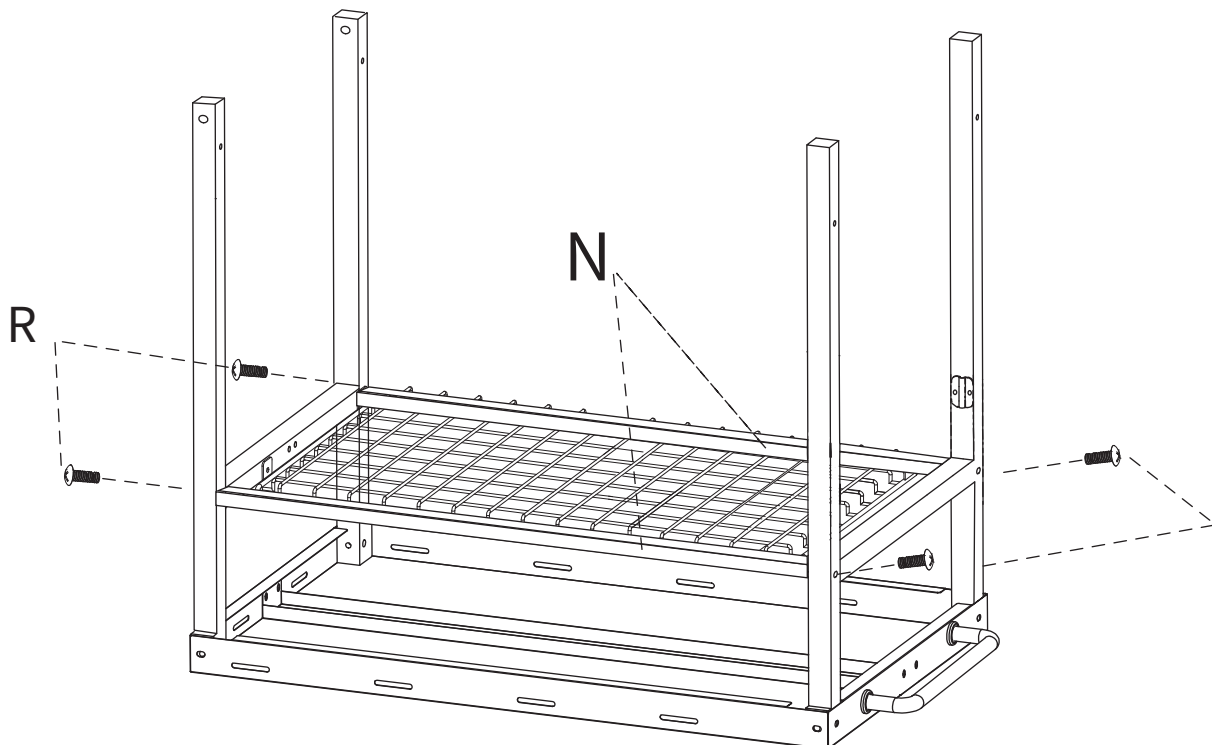
Step 5 Assemble the middle plate D to the legs with 4pcs screw Q.

D	Middle plate	1PC
Q	Screw M6*16	4PCS



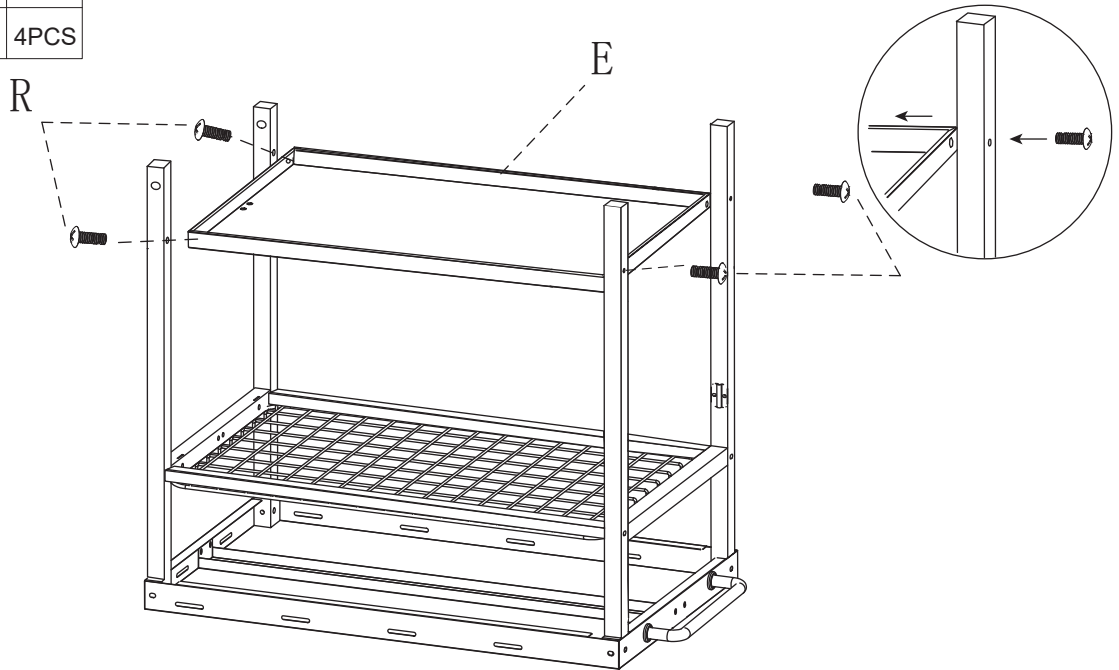
Step 6 Leg A and Leg B are connected by beam N with 4pcs screw R.

N	Beam	2PCS
R	Screw M6*40	4PCS



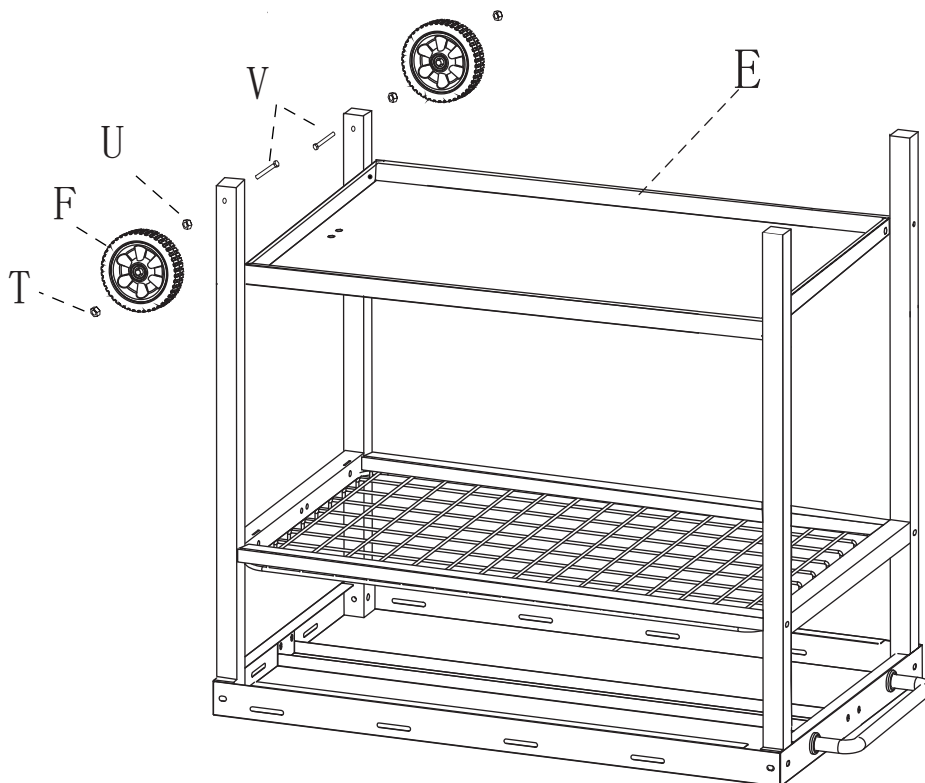
Step 7 Assemble the bottom plate E to the legs with 4pcs screw R.

E	Bottom plate	1PC
R	Screw M6*40	4PCS



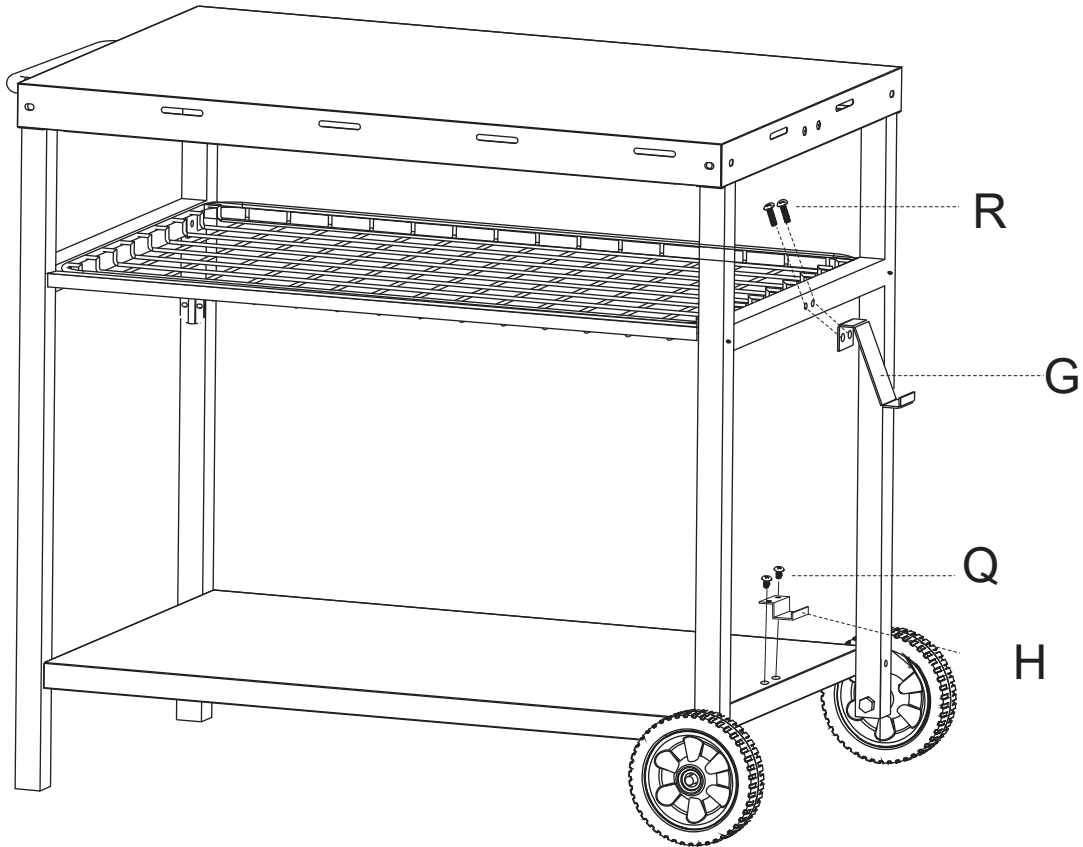
Step 8 Attach 2 wheels F to the leg B using screw V, and lock with nut U and T.

F	Wheels	2PC
T	Nut M10	2PCS
U	Nut M10	2PCS
V	Screw M10*85	2PCS



Step 9 Assemble the gas bottle hook for gas bottle G on side beam with 2pcs screw R. Assemble the gas bottle support H on bottom plate with 2 pcs screw Q.

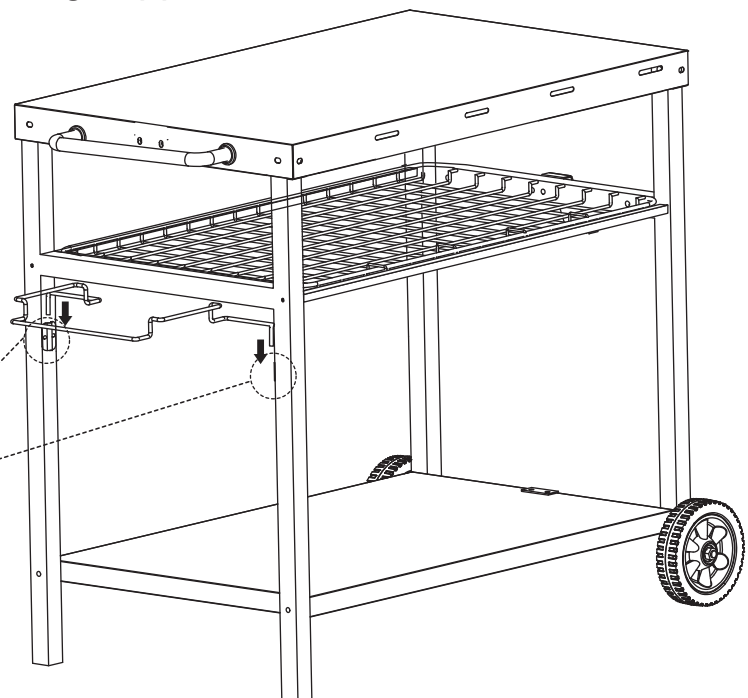
G	Gas bottle hook	1PC
R	Screw M6*40	2PCS
H	Gas bottle support	1PC
Q	Screw M6*16	2PCS



Step 10 Assemble the trash bag support.

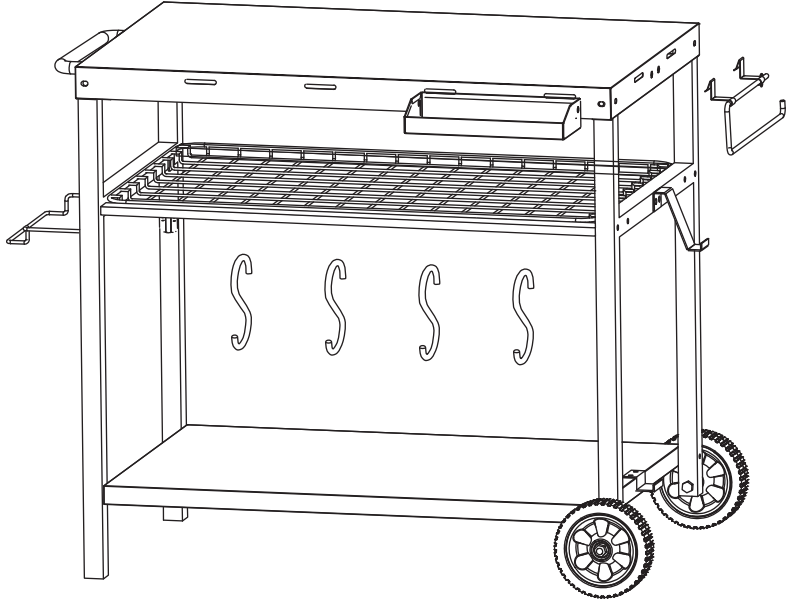
L	Trash bag support	1PC
---	-------------------	-----

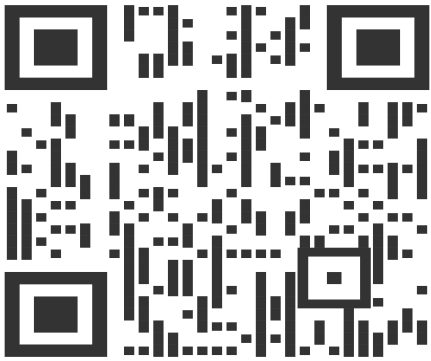
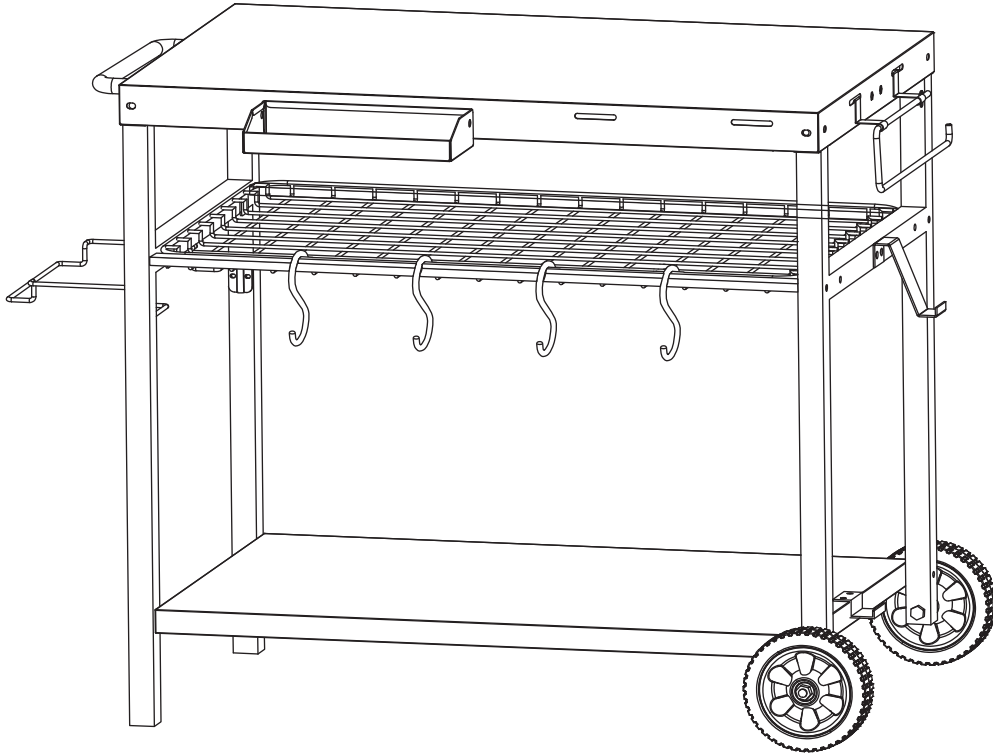
Inserting the trash bag support into the small pins on the sides and tighten the screws on them.



Step 11 Assemble the rest accessories to meet your needs.

J	Spice Station	1PC
K	Bracket	1PC
S	Hook	4PC





<http://www.pizzello.com>

Free 3-year Warranty Extension

- When you scan and register your pizza oven with Pizzello, we'll upgrade the standard 1-year warranty that comes with all Pizzello products to a 3-year warranty.