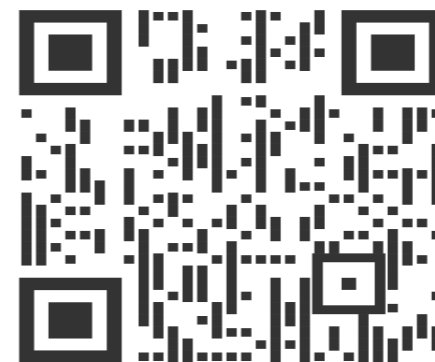
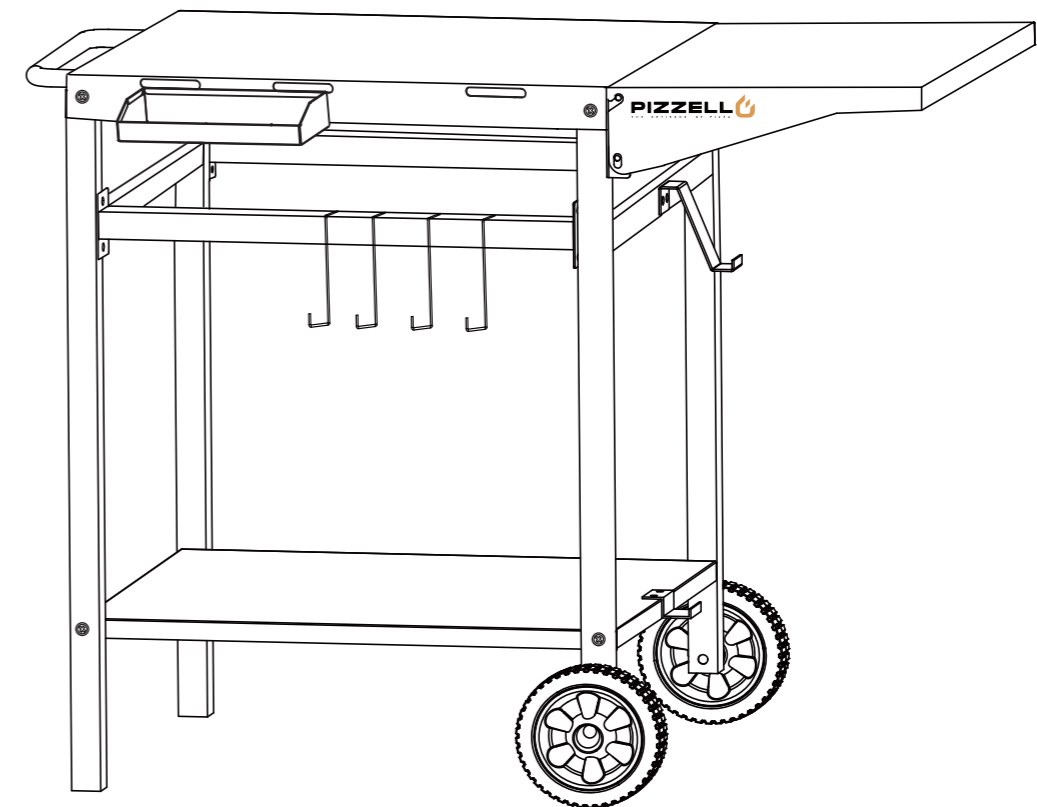




Double-Shelf Dining Cart Table Assembly Instructions



<http://www.pizzello.com>

Free 3-year Warranty Extension

When you scan and register your pizza oven with Pizzello, we'll upgrade the standard 1-year warranty that comes with all Pizzello products to a 3-year warranty.

Contents Index

Warranty.....1
Table of contents.....1
Parts List.....2
Assembly Instructions.....3-9

Warranty

For any queries or assistance mail
Promise to responded within 24 hours

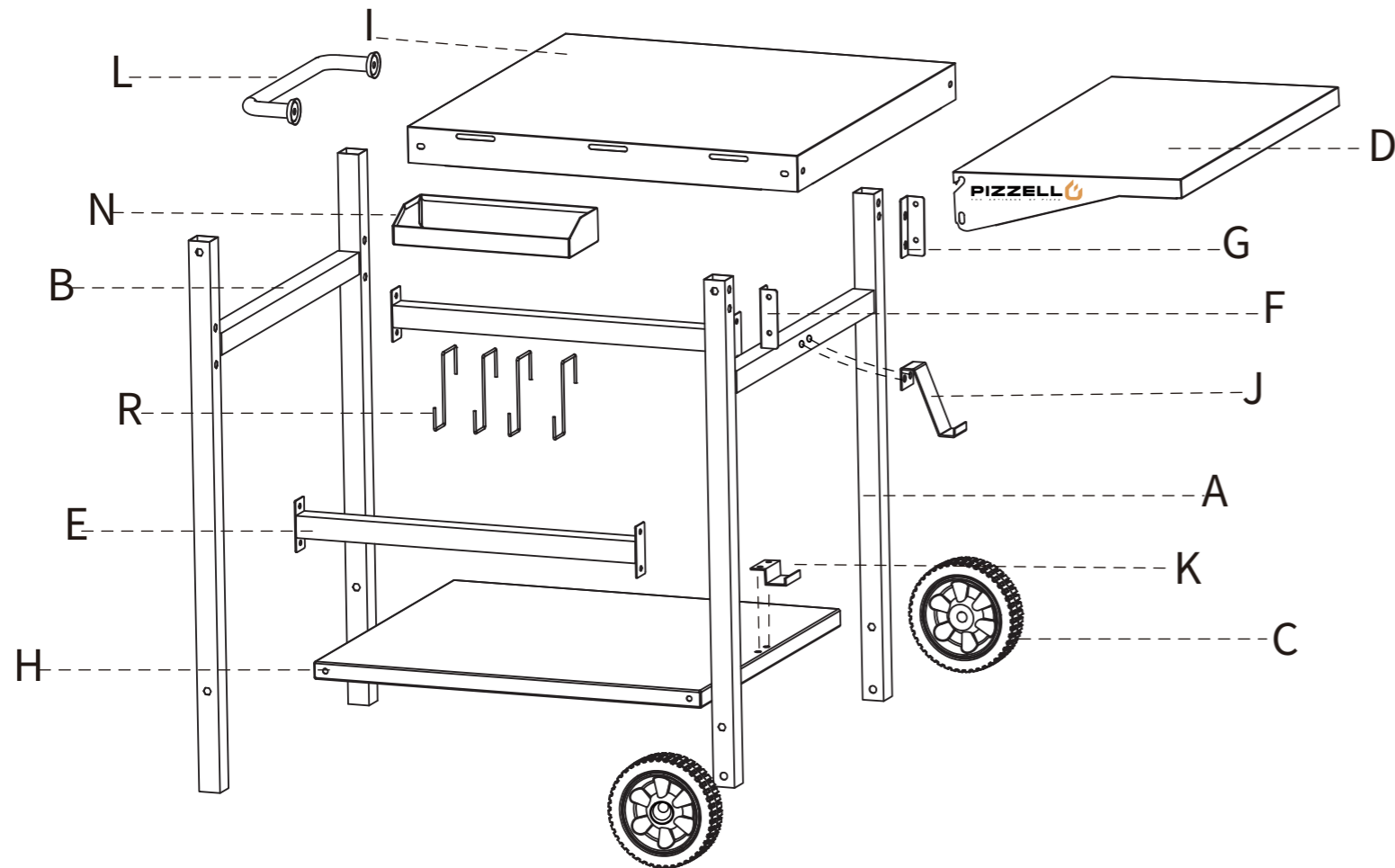


Customer Service
service@pizzellooven.com

These information will be required to offer under
the 12 months warranty.

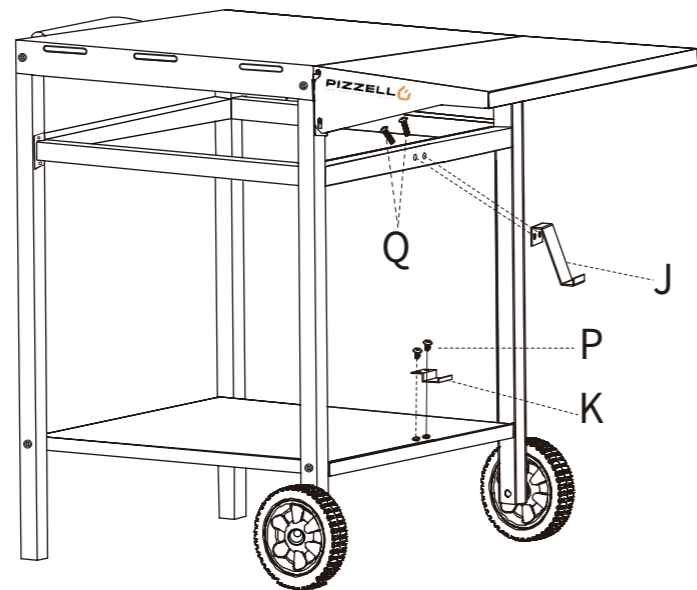
Product Model:
Order ID:
Purchase date:

TABLE OF CONTENTS



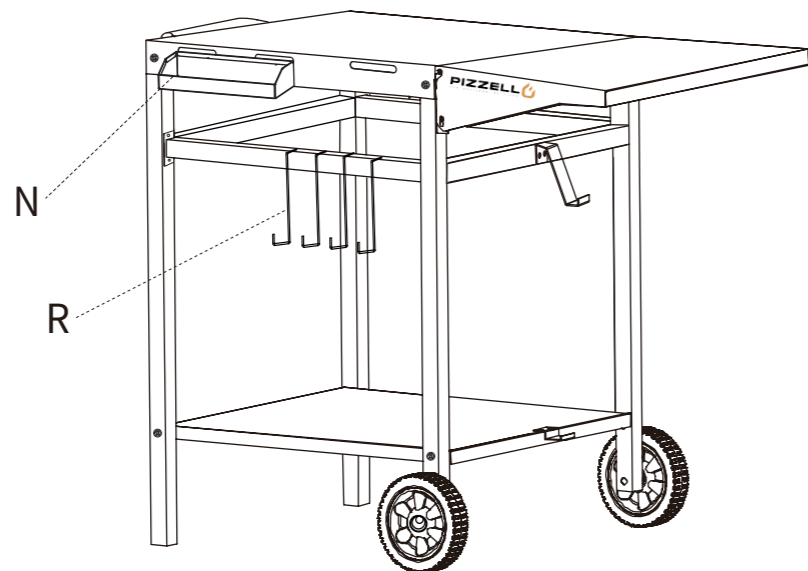
Step 8 Mount the gas bottle hook J on the side beam with 2 screws Q.
Assemble the gas bottle support K on bottom plate with 2 screws P

P	M6*16	2PCS
Q	M6*40	2PCS
J	Gas bottle hook	1PC
K	Gas bottle support	1PC



Step 9 Hook up the spice box N and the hook R on the side beam

N	Spice box	1PC
R	Hook	4PCS



Parts List

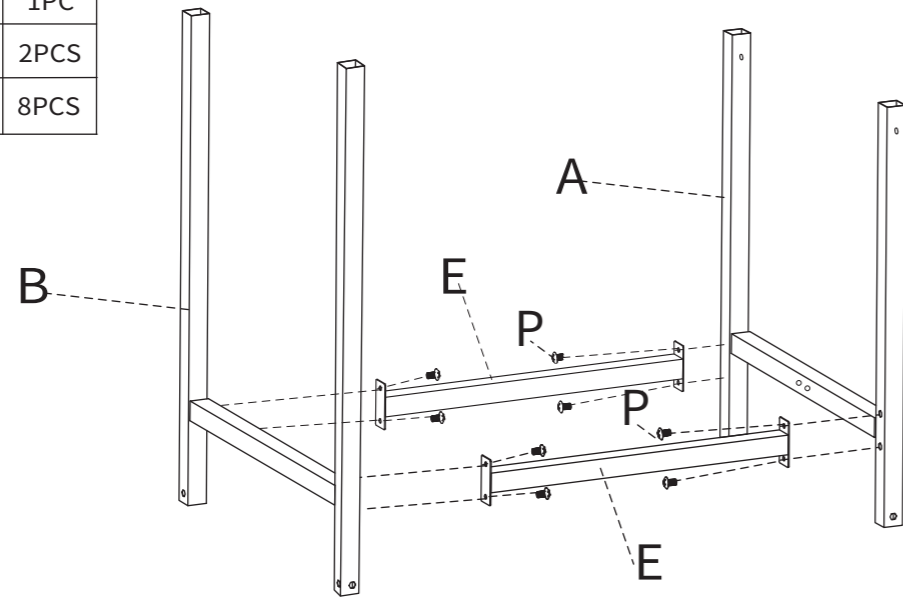
A.	1PC	B.	1PC	C.	2PCS	D.	1PC
E.	2PCS	F.	1PC	G.	1PC	H.	1PC
I.	1PC	J.	1PC	K.	1PC	L.	1PC
M.	1PC	N.	1PC				

P		Screw M6*16	22PCS	T		Nut M6	2PCS
Q		Screw M6*40	6PCS	U		Nut M8	2PCS
R		Hook	4PCS	V		Screw M8*80	2PCS
S		Screw M6*20 shoulder	2PCS	W		Nut M8	2PCS

Assembly Instructions

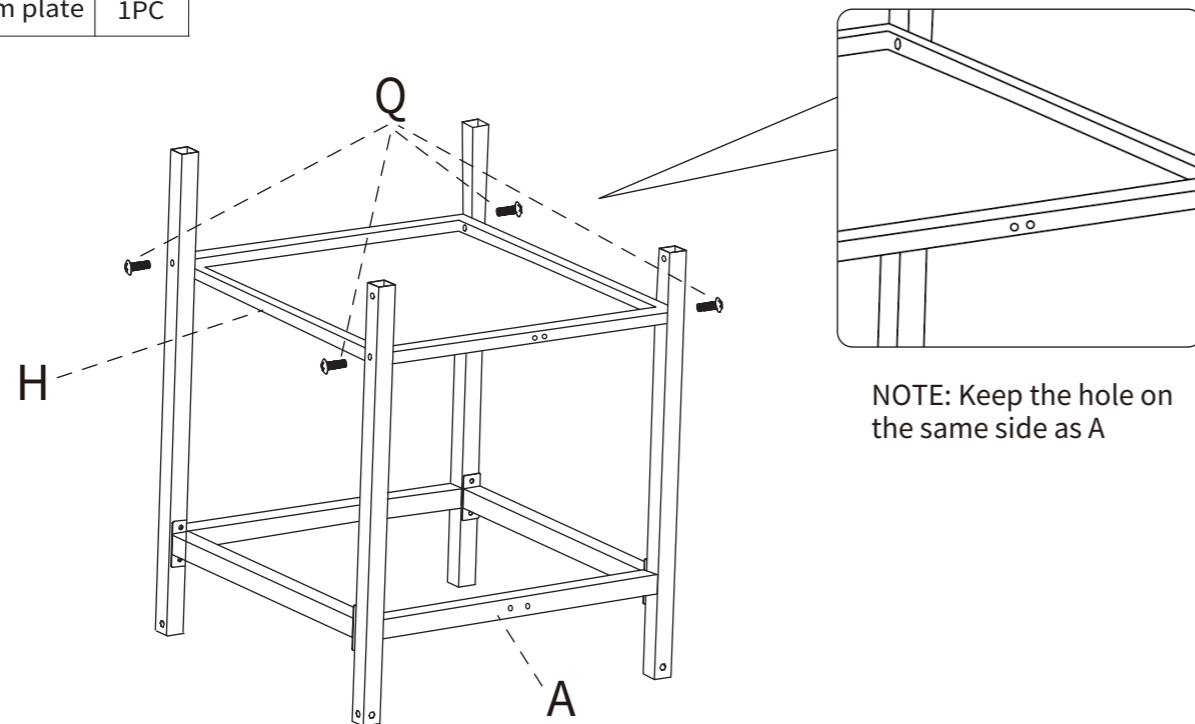
Step 1 Leg A and leg B are connected by 2 beams E with 8 screws P

A	Leg	1PC
B	Leg	1PC
E	Beam	2PCS
P	M6*16	8PCS



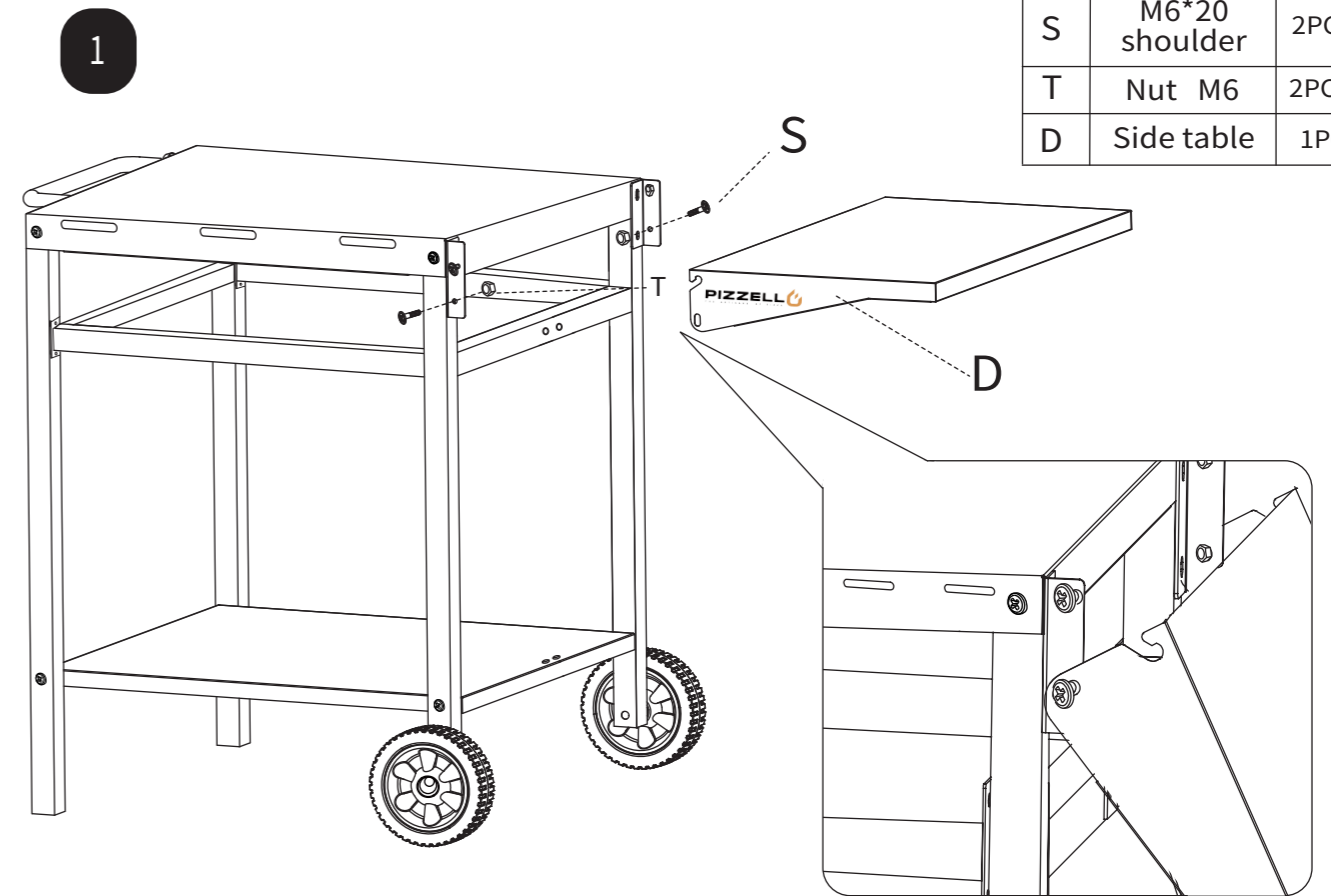
Step 2 Assemble the bottom plate H to the legs with 4 screws Q

Q	M6*40	4PCS
H	Bottom plate	1PC

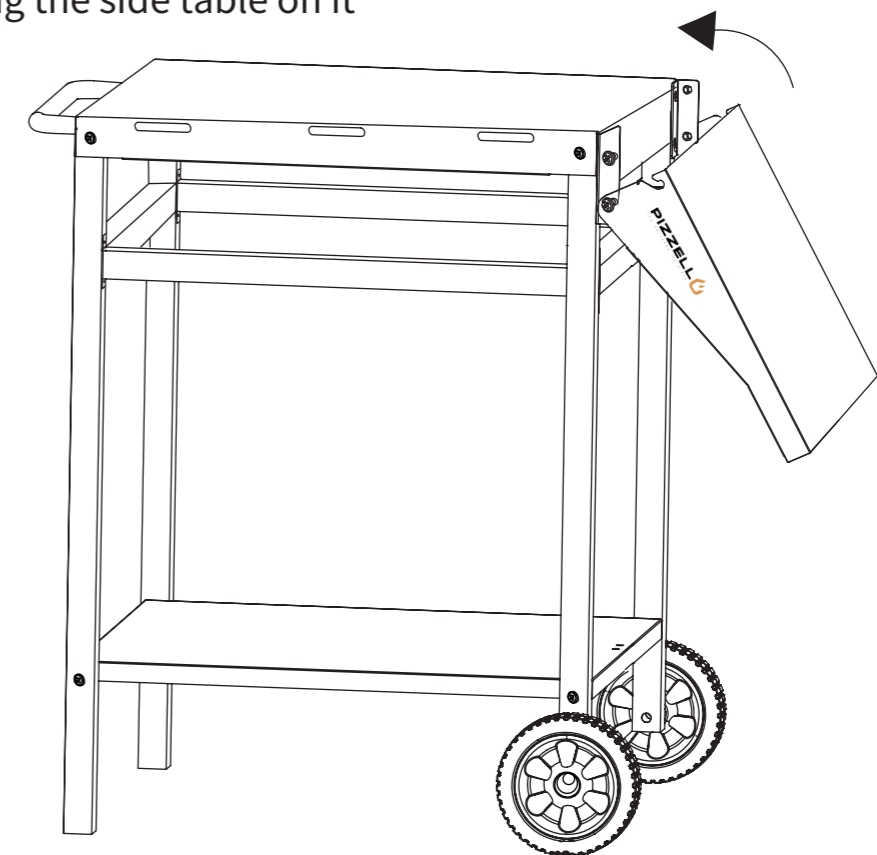


Step 7 Assemble side table D with 2 screws S and 2nuts T

S	M6*20 shoulder	2PCS
T	Nut M6	2PCS
D	Side table	1PC

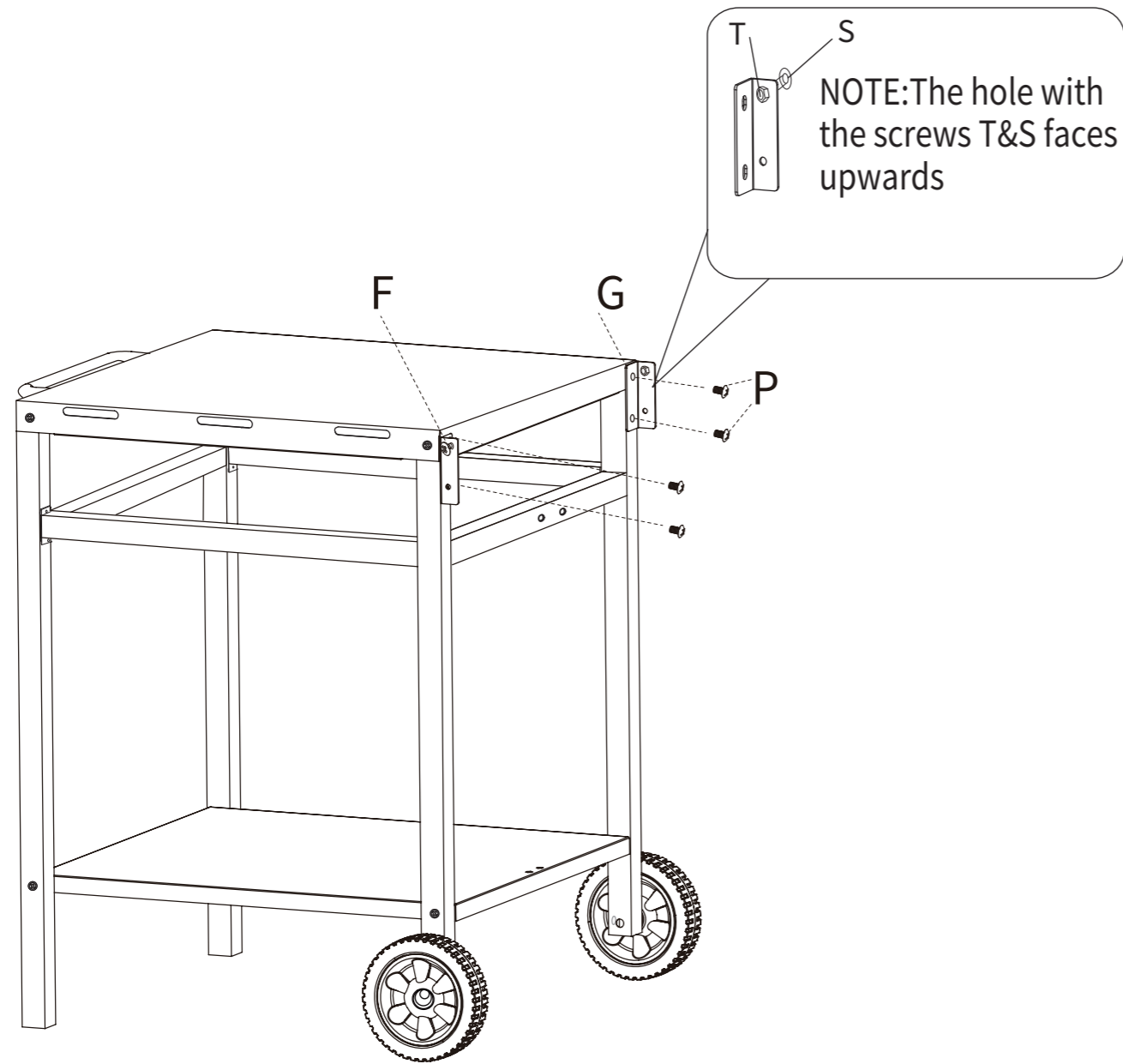


2 Hang the side table on it



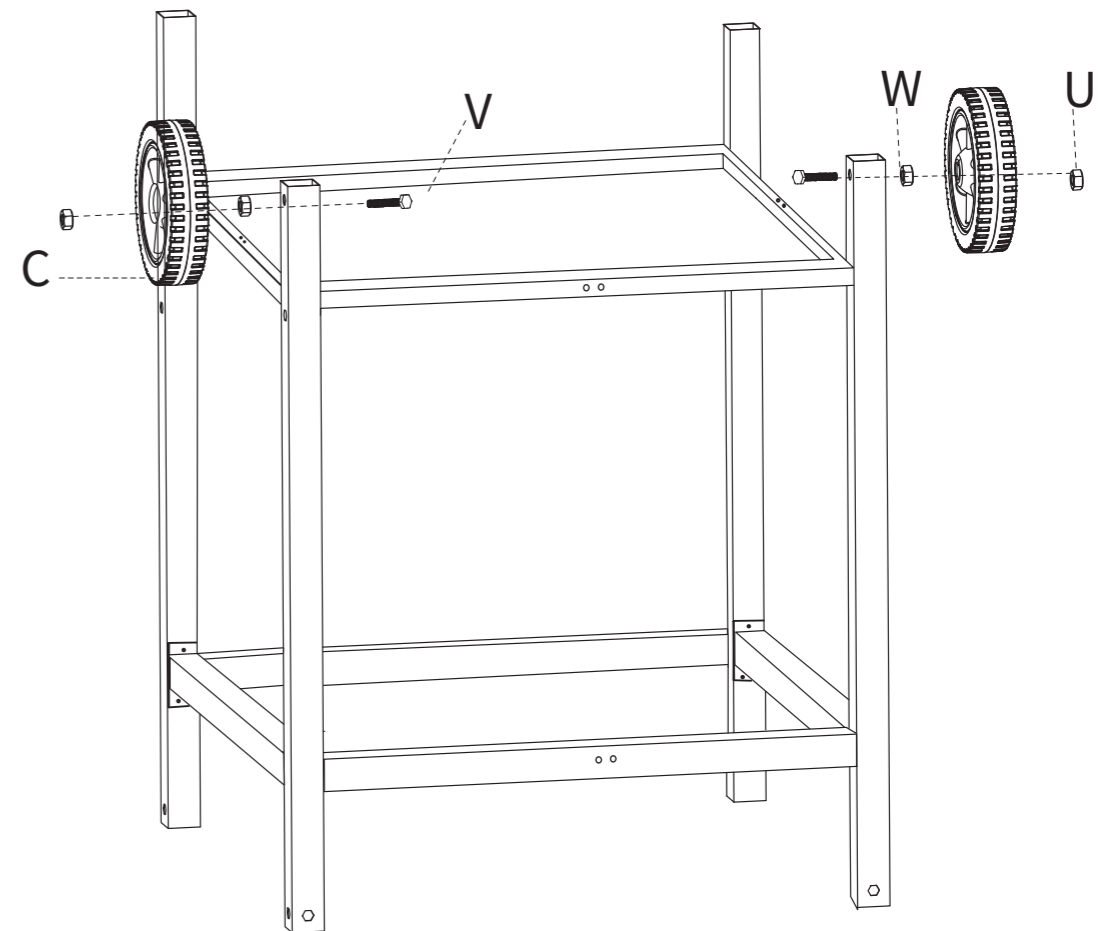
Step 6 Mount hinges F & G to the side of the top panel with 4 screws P
(Be sure to check F and G before mounting the hinges)

P	M6*16	4PCS
F	Hinges	1PC
G	Hinges	1PC



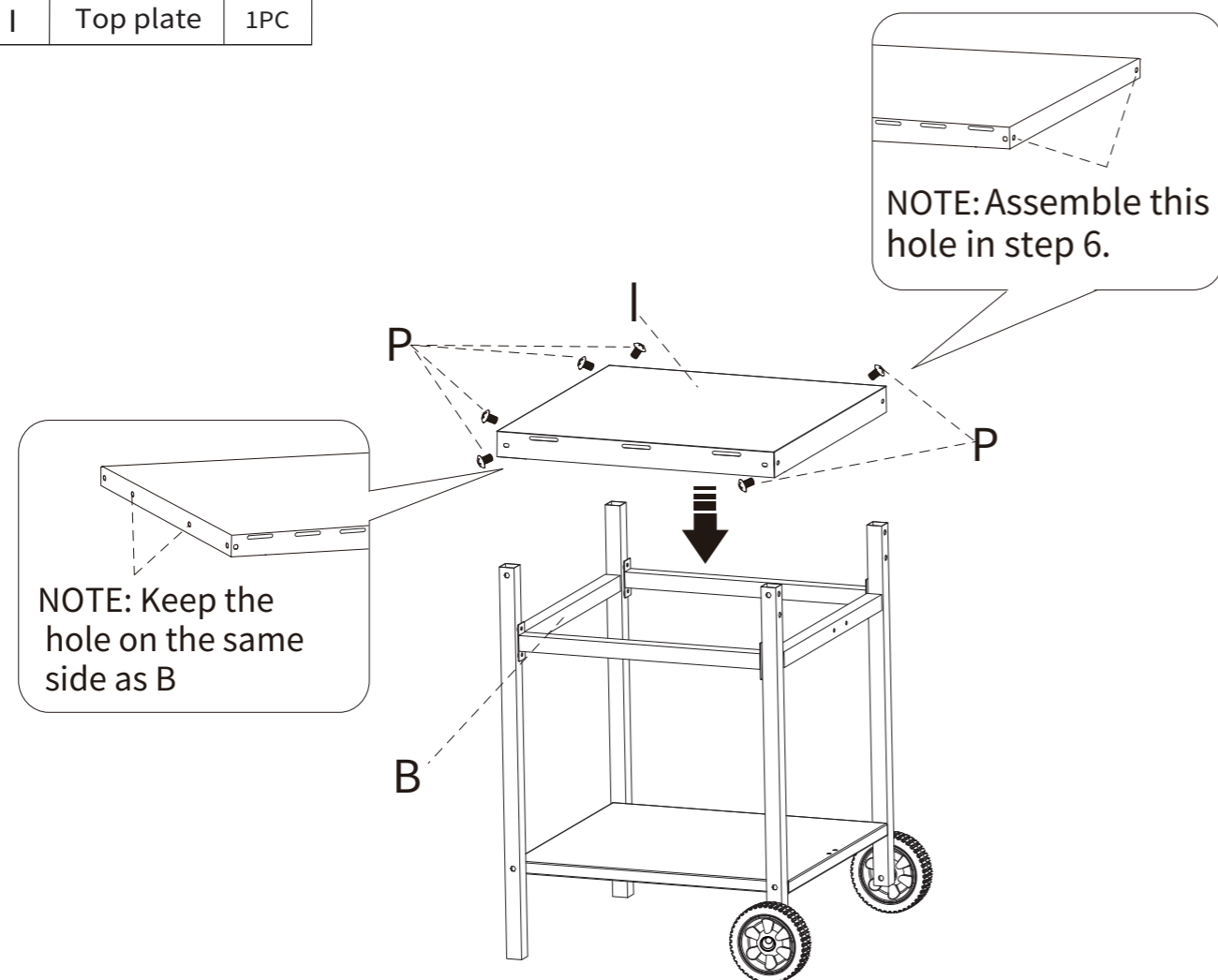
Step 3 Attach 2 screws V to the legs using nut W and then attach 2 wheels C to the legs, and lock with nut U

C	Wheel	2PCS
U	Nut M8	2PCS
W	Nut M8	2PCS
V	M8*80	2PCS



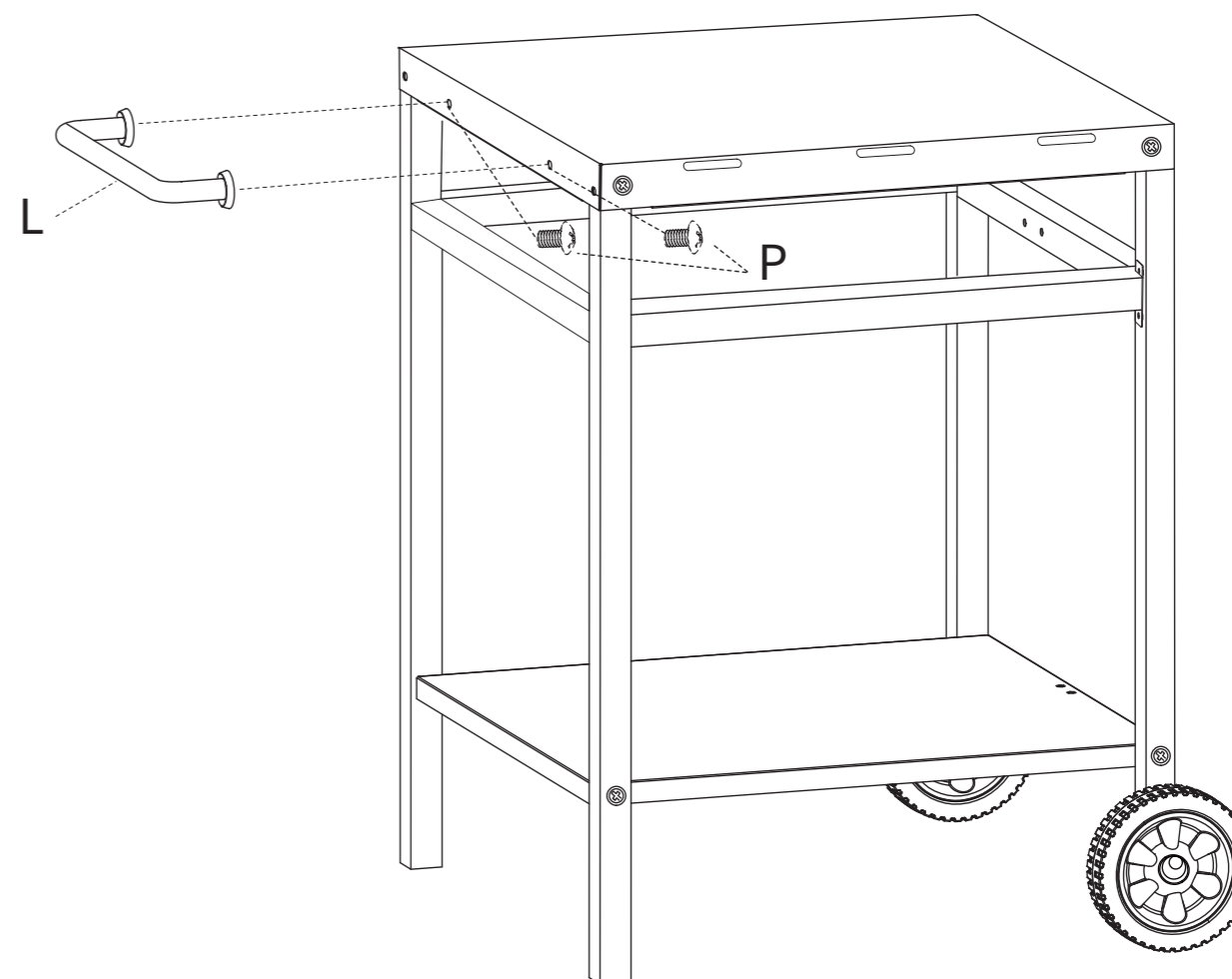
Step 4 Assemble top plate I to the legs with 6 screws P

P	M6*16	6PCS
I	Top plate	1PC



Step 5 Mount the side handle L to the tabletop using 2 washers and 2 screws P

P	M6*16	2PCS
L	Side handle	1PC



 **WARNING**

Please follow the directions we have instructed. If you change panel direction, it will cause a subsequent installation to fail.