



ELITE®

THE WORLD'S MOST SHOOTABLE BOW™

## 2024 OWNER'S MANUAL



## DISCLAIMER OF LIABILITY:

Elite Outdoors LLC (“Elite Archery”) is not liable for any personal injury, death, or property damage that may result from your use of this bow. By using this product, the user assumes all risks of property damage, death, or injury to yourself and others that may arise from its use. By using this product, the Buyer also agrees to hold Elite Archery harmless and indemnify Elite Archery for any personal injury, death, or property damage that may result, for any reason, from the use of this product. Use of this product binds the user to the terms and provisions of this disclaimer of liability.

Please read the following safety information before using your bow. **FAILURE TO FOLLOW THESE WARNINGS MAY CAUSE SERIOUS INJURY OR DEATH TO YOURSELF OR TO OTHERS AND MAY CAUSE DAMAGE TO YOUR BOW.**

**WARNING: ELITE BOWS MUST BE PRESSED ONLY IN APPROVED BOW PRESSES. PLEASE VISIT [ELITEARCHERY.COM](http://ELITEARCHERY.COM) FOR A LIST OF PRESSES.**

Elite bows should be serviced by qualified Elite Archery Retailers.

**1. ALWAYS REMEMBER SAFETY IS YOUR HIGHEST PRIORITY.** Make sure you are properly trained in the use of your bow before using it, unless you are using the bow under the supervision of a qualified instructor. Failure to receive proper instruction for the use of your bow can result in serious injury or death. Wear safety glasses when working on or shooting your bow. Please note the location of others when using your bow. Keep out of reach of children unless under adult supervision. Do not run while carrying arrows. Never draw, aim, or fire your bow in the direction of another person, and never shoot an arrow straight up.

**2. USE OF OVERDRAW.** Elite recommends that you only shoot an arrow if the point of the arrow is at least 2 inches past the shelf of the bow. The use of an overdraw that allows a shooter to draw the point of the arrow past the shelf of the bow significantly increases the risk of injury to the shooter.

**3. DO NOT PERMANENTLY REMOVE THE DRAW STOP POST.** The Draw Stop Post is used to ensure that you do not overdraw your bow. Do not permanently remove the Draw Stop Post as this can cause bodily injury or death and will void any warranties for this product.

**4. CAREFULLY INSPECT YOUR BOW BEFORE EACH USE.** Carefully note the condition of the bow before you shoot. Replace all frayed bowstrings. Report damaged cams, risers, limbs, or other parts of your bow to your local retailer for inspection or replacement. Using a damaged bow may result in serious injury or additional damage to the bow.

**5. INSPECT ALL ARROWS.** Before shooting, inspect your arrows for defects and discard cracked, splintered, or dented shafts. Never assume any arrow is safe, even a new arrow. To inspect an arrow, grasp it on both ends and flex it away from yourself and others with a deflection of 1 to 2 inches while visibly and audibly checking for splinters, cracks, or nicks. Visually inspect the entire arrow (including the nock) and never shoot a damaged arrow as this can cause serious damage to your bow and may injure the shooter or others nearby. Also, a cracked nock can break when fired and cause the bow to dry-fire.

**6. REPLACEMENT OR INSTALLATION OF PARTS.** We recommend replacement or installation of any item on your bow (such as a stabilizer, bow string, etc.) by an authorized Elite Archery retailer who is properly qualified and trained to install such part(s). Use of your bow after faulty installation of a component part may cause personal injury or damage to your bow. It is strictly the responsibility of the user to ensure that your bow is used correctly.

**7. NEVER DRY-FIRE YOUR BOW.** Dry-firing means to draw and release the bowstring without an arrow on the string. This can cause severe damage to your bow and possible injury to yourself or others. Let down the bow slowly and carefully from any drawn position. Never draw a bow that does not fit your size or strength. **Damage caused by dry-fire will not be covered under warranty.** If, however, you dry-fire your bow for any reason, please inspect it for damage, cracking, or splintering and replace any damaged parts. Also, make sure your arrow's nock is properly on the string before firing your bow as an improperly nocked arrow may cause your bow to dry-fire.

**8. MINIMUM ARROW WEIGHT.** Shooting underweight arrows has the same effect as dry-firing a bow and can cause serious injury. Do not use an arrow that is less than 5 grains per pound of bow draw weight.

**9. TYPES OF ARROWS.** Do not use wooden or fiberglass arrows. They are not designed for use with this bow and may cause serious injury.

**10. NEVER EXPOSE YOUR BOW TO EXTREME HEAT OR PROLONGED MOISTURE.** Excessive heat, such as a sunny day inside a closed vehicle, may cause component failure. Store the bow properly when not in use. **Damage caused by extreme exposure will not be covered under warranty.**

**11. BE SURE OF YOUR BACKSTOP.** Since an arrow can travel a great distance, make sure that your backstop is large enough to catch a stray arrow and that it is thick enough to fully stop the arrow. Make sure to position your backstop in a safe direction away from people, livestock, buildings, and roads.

**12. BE SURE OF YOUR TARGET.** Always be aware of the location of other people. Hunters often wear camouflage and can be difficult to identify. Never aim at anything you do not intend to shoot and never draw or shoot when anyone is between you and your target. Also make sure there are no people, livestock, buildings, roads, or other objects behind or near your target. Be **absolutely** sure of your target when shooting in low light conditions.

**13. NEVER MODIFY YOUR BOW.** Never modify any part of the bow or its components. This voids any and all warranties for your bow and may cause safety risks.

**14. READ AND HEED ALL WARNINGS.** Always read warning labels of any other product being used in conjunction with this bow and adhere to those safety guidelines.

**VISIT AN ELITE ARCHERY RETAILER FOR THE  
FASTEST WARRANTY, PARTS & SERVICE**

Scan the QR code to Find your Nearest Elite Archery Retailer



# ERHOS

**NEW FOR  
2024**

<b>AXLE TO AXLE</b>	33"
<b>BRACE HEIGHT</b>	6.75"
<b>SPEED FPS*</b>	340 FPS*
<b>DRAW LENGTH</b>	25.5" - 31"
<b>PEAK WEIGHTS</b>	40, 50, 60, 65, 70, 75
<b>MASS WEIGHT</b>	4.5 LBS
<b>LET OFF</b>	UP TO 90%

<b>MOD POSITION</b>	<b>DRAW LENGTH*</b>	<b>IBO SPEED RATING (FPS)*</b>
1	31.00"	350 FPS
2	30.50"	345 FPS
3	30.00"	340 FPS
4	29.50"	335 FPS
5	29.00"	330 FPS
6	28.50"	325 FPS
7	28.00"	320 FPS
8	27.50"	315 FPS
9	27.00"	310 FPS
10	26.50"	305 FPS
11	26.00"	300 FPS
12	25.50"	295 FPS

DEDUCT 2-3 FPS FROM RATING FOR #60 PEAK WEIGHT (300 GRAIN ARROW)

\*DRAW LENGTH AND SPEED MEASURED AT 80% LET OFF

THIS PRODUCT MAY BE COVERED BY ONE OR MORE U.S. OR FOREIGN PENDING OR  
ISSUED PATENTS.

FOR DETAILS, GO TO [WWW.ELITEARCHERY.COM/PATENTS](http://WWW.ELITEARCHERY.COM/PATENTS)

# KAIROS



AXLE TO AXLE 33"  
BRACE HEIGHT 6.5"  
SPEED FPS\* 335 FPS\*  
DRAW LENGTH 24" - 29.5"  
PEAK WEIGHTS 40, 50, 60, 65, 70  
MASS WEIGHT 4.5 LBS  
LET OFF UP TO 90%

MOD POSITION	DRAW LENGTH*	IBO SPEED RATING (FPS)*
1	29.50"	330 FPS
2	29.00"	325 FPS
3	28.50"	320 FPS
4	28.00"	315 FPS
5	27.50"	310 FPS
6	27.00"	305 FPS
7	26.50"	300 FPS
8	26.00"	295 FPS
9	25.50"	290 FPS
10	25.00"	285 FPS
11	24.50"	280 FPS
12	24.00"	275 FPS

DEDUCT 2-3 FPS FROM RATING FOR #60 PEAK WEIGHT (300 GRAIN ARROW)

\*DRAW LENGTH AND SPEED MEASURED AT 80% LET OFF

THIS PRODUCT MAY BE COVERED BY ONE OR MORE U.S. OR FOREIGN PENDING OR ISSUED PATENTS.

FOR DETAILS, GO TO [WWW.ELITEARCHERY.COM/PATENTS](http://WWW.ELITEARCHERY.COM/PATENTS)



# Allure



**AXLE TO AXLE** 31"  
**BRACE HEIGHT** 6.25"  
**SPEED FPS\*** 340 FPS\*  
**DRAW LENGTH** 23" - 28.5"  
**PEAK WEIGHTS** 40, 50, 60  
**MASS WEIGHT** 4.0 LBS  
**LET OFF** UP TO 90%

MOD POSITION	DRAW LENGTH*	IBO SPEED RATING (FPS)*
1	28.50"	325 FPS
2	28.00"	320 FPS
3	27.50"	315 FPS
4	27.00"	310 FPS
5	26.50"	305 FPS
6	26.00"	300 FPS
7	25.50"	295 FPS
8	25.00"	290 FPS
9	24.50"	285 FPS
10	24.00"	280 FPS
11	23.50"	275 FPS
12	23.00"	270 FPS

DEDUCT 2-3 FPS FROM RATING FOR #60 PEAK WEIGHT (300 GRAIN ARROW)

\*DRAW LENGTH AND SPEED MEASURED AT 80% LET OFF

THIS PRODUCT MAY BE COVERED BY ONE OR MORE U.S. OR FOREIGN PENDING OR ISSUED PATENTS.

FOR DETAILS, GO TO [WWW.ELITEARCHERY.COM/PATENTS](http://WWW.ELITEARCHERY.COM/PATENTS)

# ERA

<b>AXLE TO AXLE</b>	31.25"
<b>BRACE HEIGHT</b>	7.25"
<b>SPEED FPS*</b>	336 FPS*
<b>DRAW LENGTH</b>	25.5" - 31"
<b>PEAK WEIGHTS</b>	40, 50, 60, 65, 70
<b>MASS WEIGHT</b>	3.95 LBS
<b>LET OFF</b>	UP TO 90%

<b>MOD POSITION</b>	<b>DRAW LENGTH*</b>	<b>IBO SPEED RATING (FPS)*</b>
1	31.00"	346 FPS
2	30.50"	341 FPS
3	30.00"	336 FPS
4	29.50"	331 FPS
5	29.00"	326 FPS
6	28.50"	321 FPS
7	28.00"	316 FPS
8	27.50"	311 FPS
9	27.00"	306 FPS
10	26.50"	301 FPS
11	26.00"	296 FPS
12	25.50"	291 FPS

DEDUCT 2-3 FPS FROM RATING FOR #60 PEAK WEIGHT (300 GRAIN ARROW)

\*DRAW LENGTH AND SPEED MEASURED AT 80% LET OFF

THIS PRODUCT MAY BE COVERED BY ONE OR MORE U.S. OR FOREIGN PENDING OR ISSUED PATENTS.

FOR DETAILS, GO TO [WWW.ELITEARCHERY.COM/PATENTS](http://WWW.ELITEARCHERY.COM/PATENTS)



# OMNIA

AXLE TO AXLE	32"
BRACE HEIGHT	6"
SPEED FPS*	347 FPS*
DRAW LENGTH	24.5" - 30"
PEAK WEIGHTS	40, 50, 60, 65, 70
MASS WEIGHT	4.5 LBS
LET OFF	UP TO 90%



WATCH: ADJUSTING  
DRAW LENGTH ON  
ELITE ARCHERY'S  
OMNIA



MOD POSITION	DRAW LENGTH*	IBO SPEED RATING (FPS)*
1	30.00"	347 FPS
2	29.50"	342 FPS
3	29.00"	337 FPS
4	28.50"	332 FPS
5	28.00"	327 FPS
6	27.50"	322 FPS
7	27.00"	317 FPS
8	26.50"	312 FPS
9	26.00"	307 FPS
10	25.50"	302 FPS
11	25.00"	297 FPS
12	24.50"	292 FPS

DEDUCT 2-3 FPS FROM RATING FOR #60 PEAK WEIGHT (300 GRAIN ARROW)

\*DRAW LENGTH AND SPEED MEASURED AT 80% LET OFF

THIS PRODUCT MAY BE COVERED BY ONE OR MORE U.S. OR FOREIGN PENDING OR ISSUED PATENTS.

FOR DETAILS, GO TO [WWW.ELITEARCHERY.COM/PATENTS](http://WWW.ELITEARCHERY.COM/PATENTS)

# VERDICT

**AXLE TO AXLE** 37.75"  
**BRACE HEIGHT** 7.125"  
**SPEED FPS\*** 332 FPS\*  
**DRAW LENGTH** 25.5" - 31"  
**PEAK WEIGHTS** 40, 50, 60, 65, 70 LBS  
**MASS WEIGHT** 5 LBS  
**LET OFF** UP TO 90%



WATCH: ADJUSTING SPX CAMS  
ON ELITE ARCHERY'S  
**VERDICT**

(PERFORMANCE MOD)

MOD POSITION	DRAW LENGTH*	IBO SPEED RATING (FPS)*
1	31.00"	342 FPS
2	30.50"	337 FPS
3	30.00"	332 FPS
4	29.50"	327 FPS
5	29.00"	322 FPS
6	28.50"	317 FPS
7	28.00"	312 FPS
8	27.50"	307 FPS
9	27.00"	302 FPS
10	26.50"	297 FPS
11	26.50"	292 FPS
12	25.50"	287 FPS

DEDUCT 2-3 FPS FROM RATING FOR #60 PEAK WEIGHT (300 GRAIN ARROW)

\*DRAW LENGTH AND SPEED MEASURED AT 80% LET OFF. FOR 90% LET OFF, ADD 1/2 INCH TO DRAW LENGTH

THIS PRODUCT MAY BE COVERED BY ONE OR MORE U.S. OR FOREIGN PENDING OR ISSUED PATENTS.  
FOR DETAILS, GO TO [WWW.ELITEARCHERY.COM/PATENTS](http://WWW.ELITEARCHERY.COM/PATENTS)

**WWW.ELITEARCHERY.COM**

# TERRAIN

AXLE TO AXLE	32.5"
BRACE HEIGHT	7"
SPEED FPS*	325 FPS*
DRAW LENGTH	25.5" - 31.5"
PEAK WEIGHTS	45-60, 55-70 LBS
MASS WEIGHT	3.9 LBS
LET OFF	85%



WATCH: ADJUSTING  
DRAW LENGTH ON  
ELITE ARCHERY'S  
TERRAIN



MOD POSITION	DRAW LENGTH*	IBO SPEED RATING (FPS)*
1	31.50"	335 FPS
2	31.00"	330 FPS
3	30.50"	325 FPS
4	30.00"	320 FPS
5	29.50"	315 FPS
6	29.00"	310 FPS
7	28.50"	305 FPS
8	28.00"	300 FPS
9	27.50"	295 FPS
10	27.00"	290 FPS
11	26.50"	285 FPS
12	26.00"	280 FPS
13	25.50"	275 FPS

DEDUCT 2-3 FPS FROM RATING FOR #60 PEAK WEIGHT (300 GRAIN ARROW)

\*DRAW LENGTH AND SPEED MEASURED AT 80% LET OFF. FOR 90% LET OFF, ADD 1/2 INCH TO DRAW LENGTH

THIS PRODUCT MAY BE COVERED BY ONE OR MORE U.S. OR FOREIGN PENDING OR ISSUED PATENTS.  
FOR DETAILS, GO TO [WWW.ELITEARCHERY.COM/PATENTS](http://WWW.ELITEARCHERY.COM/PATENTS)

[WWW.ELITEARCHERY.COM](http://WWW.ELITEARCHERY.COM)

# BASIN

AXLE TO AXLE	32.375"
BRACE HEIGHT	6.6875"
IBO SPEED	315 FPS
AVAILABILITY	RH & LH
DRAW LENGTH RANGE	16 - 30"
DRAW WEIGHT RANGE	20 - 70 LBS
MASS WEIGHT	3.9 LBS



WATCH: ADJUSTING  
DRAW LENGTH ON  
ELITE ARCHERY'S  
BASIN



MOD POSITION	DRAW LENGTH (IN)	MAX WEIGHT	MIN WEIGHT (8 TURNS OUT)	IBO SPEED
1	30"	70 LBS	38 LBS	315 FPS*
2	29"	70 LBS	36 LBS	305 FPS*
3	28"	68 LBS	34 LBS	295 FPS*
4	27"	67 LBS	33 LBS	285 FPS*
5	26"	64 LBS	31 LBS	275 FPS*
6	25"	61 LBS	29 LBS	265 FPS*
7	24"	58 LBS	27 LBS	255 FPS*
8	23"	54 LBS	25 LBS	245 FPS*
9	22"	50 LBS	23 LBS	235 FPS*
10	21"	47 LBS	20 LBS	225 FPS*
11	20"	46 LBS	20 LBS	215 FPS*
12	19"	46 LBS	20 LBS	205 FPS*
13	18"	46 LBS	20 LBS	195 FPS*
14	17"	46 LBS	20 LBS	185 FPS*
15	16"	46 LBS	20 LBS	175 FPS*

THIS PRODUCT MAY BE COVERED BY ONE OR MORE U.S. OR FOREIGN PENDING OR ISSUED PATENTS.  
FOR DETAILS, GO TO [WWW.ELITEARCHERY.COM/PATENTS](http://WWW.ELITEARCHERY.COM/PATENTS)

[WWW.ELITEARCHERY.COM](http://WWW.ELITEARCHERY.COM)

# EMBER

AXLE TO AXLE	31 1/4" +/- 1/8"
BRACE HEIGHT	6 1/4" +/- 1/8"
SPEED	310 FPS (29" 60 LBS.)
DRAW LENGTH RANGE	15 - 29"
DRAW WEIGHT RANGE	10 - 60 LBS
MASS WEIGHT	3.6 LBS



WATCH: ADJUSTING  
DRAW LENGTH ON  
ELITE ARCHERY'S  
EMBER 

MOD POSITION	DRAW LENGTH (IN)	MAX WEIGHT	MIN WEIGHT (8 TURNS OUT)	IBO SPEED
1	29"	60 LBS	30 LBS	310 FPS*
2	28"	60 LBS	29 LBS	300 FPS*
3	27"	59 LBS	27 LBS	290 FPS*
4	26"	57 LBS	25 LBS	280 FPS*
5	25"	56 LBS	23 LBS	270 FPS*
6	24"	53 LBS	22 LBS	260 FPS*
7	23"	50 LBS	20 LBS	250 FPS*
8	22"	47 LBS	18 LBS	240 FPS*
9	21"	43 LBS	16 LBS	230 FPS*
10	20"	40 LBS	14 LBS	220 FPS*
11	19"	38 LBS	13 LBS	210 FPS*
12	18"	38 LBS	13 LBS	200 FPS*
13	17"	38 LBS	12 LBS	190 FPS*
14	16"	38 LBS	11 LBS	180 FPS*
15	15"	38 LBS	10 LBS	170 FPS*

THIS PRODUCT MAY BE COVERED BY ONE OR MORE U.S. OR FOREIGN PENDING OR ISSUED PATENTS.  
FOR DETAILS, GO TO [WWW.ELITEARCHERY.COM/PATENTS](http://WWW.ELITEARCHERY.COM/PATENTS)

[WWW.ELITEARCHERY.COM](http://WWW.ELITEARCHERY.COM)

# S.E.T. TECHNOLOGY

## OVERVIEW

S.E.T. Technology is a micro adjustable tuning system exclusive to Elite Archery. S.E.T., or Simplified Exact Tuning, Technology is designed to eliminate the time and frustration that can be associated with tuning modern compound bows. S.E.T. allows the archer to micro-adjust the attitude of the cam at the limb pocket, providing the easiest, and most effective tuning method on the market without the need of a bow press. The effect of adjusting S.E.T. Technology is similar to “Yoke Tuning” or “Shimming” but has been engineered to be more effective and easier, all you need is a 5/32” hex key. Adjusting the S.E.T. Technology system will rotate the pocket pivot around the pivot shoulder screw to correct for a Tail Right or a Tail Left condition. S.E.T. technology is a very effective tuning method, which does not require a large adjustment to see the results in tuning. Start with small adjustments (1/4 turn) following the process below. The total adjustment range of S.E.T. Technology is restricted to 1.5 revolutions of the adjustment screw.

## HOW TO ADJUST

1. Observe the output of how your bow is shooting (Tail Right, Tail Left Etc)
2. Loosen the lock down screw on the shooter-facing side of the riser
3. Rotate adjustment screw
  - a. Clockwise for a Tail (Nock) Right Tear
  - b. Counter Clockwise for a Tail (Nock) Left Tear
4. Tighten lock down screw
5. Check – reset centershot rest position (see below on setting centershot)

## CAM PITCH

Adjusting S.E.T. Technology will affect the pitch (lean) of the cams, similar to “Yoke Tuning.” Adjusting S.E.T. Technology should always be done evenly to the top and bottom of the bow to maintain the same pitch on the TOP and BOTTOM cams at an undrawn position. To check this lay an arrow along the side of the cam pointing toward the other end of the bow, ensuring it is not coming in contact with (Speed Button, String Suppressor) and note the angle of the arrow vs the string. Re-check the cam at the other end of the bow and adjust S.E.T. Technology evenly.

## SETTING CENTERSHOT POSITION OF ARROW REST

After making an adjustment the archer should recheck the position of their arrow rest to make sure the arrow is running parallel with the riser. Adjusting S.E.T. Technology will make slight changes to the center shot position of the string, and the arrow rest should be re-centered. To check this, nock an arrow and place it on your arrow rest.



WATCH: TUNING  
MADE EASY  
WITH S.E.T.  
TECHNOLOGY



Hold another arrow (or straight edge) along the inside of the riser and confirm the two arrows are parallel to one another. As the position of the pocket pivot changes while adjusting S.E.T. Technology, the centershot position of the string will change. For this reason, the archer should maintain the arrow running parallel to the riser and ignore a fixed centershot dimension.

**Example:** When adjusting S.E.T. Technology for a Tail Right condition, the centershot position of the string will move slightly to the left (RH bow). Adjusting the arrow rest to the left to re-square the arrow to the riser will provide the most effective adjustments.

## FACTORY SETTING

From the factory, your Elite bow equipped with S.E.T. Technology will be shipped in the middle of the adjustment range, with matching pitch on the top and bottom cams. The amount and direction of the pre-set pitch will be set by Elite Technicians based on a neutral starting point for tuning that model of bow.

## SHIMMING CAMS

S.E.T. Technology should replace the need for shimming cams left or right to achieve your perfect arrow flight. In very rare cases based on external factors (grip pressure etc.) a shooter may max out the adjustment of S.E.T. Technology. If you experience this condition, please take your bow to a qualified Elite Bow Technician to review. The bow can be re-shimmed based on traditional methods to re-center S.E.T. Technology and allow for additional adjustment.

Traditional Shimming Methods for Tuning a RH bow.

- Tail Right – Move cams to the right
- Tail Left – Move cams to the left



OBSERVE THE OUTPUT OF HOW YOUR BOW IS SHOOTING (TAIL RIGHT, TAIL LEFT, ETC)



LOW TEAR



HIGH TEAR



BULLET HOLE



RIGHT TEAR



LEFT TEAR



LOOSEN THE LOCK DOWN SCREW ON THE SHOOTER-FACING SIDE OF RISER



ROTATE THE ADJUSTMENT SCREW

- CLOCKWISE FOR A TAIL (NOCK) RIGHT TEAR
- COUNTER CLOCKWISE FOR A TAIL (NOCK) LEFT TEAR



TIGHTEN THE LOCK DOWN SCREW AND CHECK ADJUSTMENT. IF NECESSARY, MAKE ARROW REST CENTERSHOT ADJUSTMENTS.

\*REPEAT STEPS FOR BOTTOM LIMB

ADJUSTMENT SCREW

LOCK DOWN SCREW



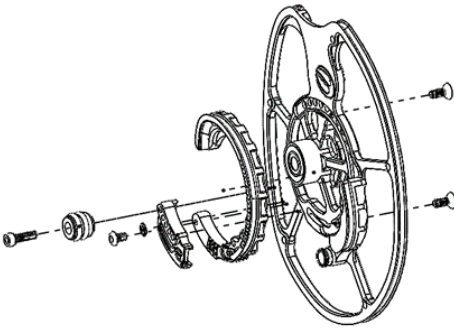
# SP/SPX CAMS

## OVERVIEW

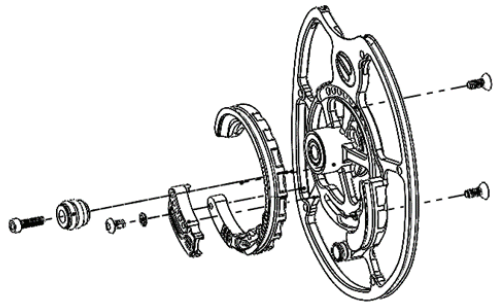
Many Elite model bows feature the SP or SPX Cam Systems. The SP/SPX cams include the use of Elite's new V3 Mod rotating module system for rapid draw length adjustments without the need for a bow press. The SP/SPX systems are symmetrical balanced cams, which reduces lateral nock travel. This results in an accurate and forgiving bow that is also easy to tune. Elite's engineers have designed the traditional Elite feel and Elite Shootability into the new SP/SPX Cam Systems. The high-letoff, smooth draw cycle that is synonymous with Elite, is still found in the SP/SPX Cam Systems. These systems are symmetrical top and bottom, delivering straight and level vertical nock travel in a fully synchronized system.

The SP/SPX systems allow for 5.5" of draw length adjustment utilizing the V3 Mods without the need of a bow press. The feel of the back can also be adjusted by using cable stops or limb stops in multiple positions. This allows the archer to achieve the customized feel they are looking for. Let off can be adjusted with either stop system for high let off to low, hard back wall or a softer feel.

## SP CAM



## SPX CAM







# CUSTOM PERFORMANCE

## NEW V3 MOD OPTIONS AVAILABLE



PERFORMANCE



SMOOTH



75%



### PERFORMANCE V3 MOD

Factory installed on the 2024 ETHOS, OMNIA, and ERA, the Performance V3 Mod is for archers that want a little better performance out of their Elite bow and enjoy a bow with a slightly more aggressive draw. This mod stacks up a little earlier in the draw cycle but keeps the Elite Shootability throughout the draw cycle. The Performance V3 Mod has slightly less valley but allows for maximum speed and keeps your aim rock solid at full draw.



### SMOOTH V3 MOD

Installed from the factory on the 2024 KAIROS, 2024 ALLURE, and VERDICT. The Smooth V3 Mod delivers Elite Shootability without compromise. The Smooth V3 Mod has a more forgiving valley which allows for a less aggressive draw cycle. If you're looking for the draw cycle that made Elite famous, the Smooth V3 Mod is the only choice.



### 75% V3 MOD

Available only as an add-on to your Elite bow with SP/SPX Cams. The 75% V3 Mod was designed with competitive shooters in mind. This mod is specifically designed to deliver higher holding weight for archers that want to be able to customize their draw cycle. The 75% mod has higher holding weight at the end of the draw cycle all well not compromising that Elite Shootability feel.

# V3 MODS

## ADJUSTING DRAW LENGTH

Reference the draw length chart for your bow model in this manual. The number showing through the mod position indicator window is your current mod position. This number correlates to a draw length in the chart. NOTE: Draw lengths are rated at 80% let-off.

For the V3 mods, two mod screws are used to secure the mod to the cam at each position.

## SP / SPX CAMS:

### STEPS:

1. Loosen the mod screw located in the slots on the cam using a T15 Torx Key.
2. Remove the second mod screw from its hole.
3. Rotate the mod into your desired position. The engraved mod position will become central to the mod position indicator window. The second screw located in the slot can be moved to a second slot if you have a draw length below position 8.
4. Locate the correct position to reinstall the second mod screw into the cam and tighten.
5. Tighten the first mod screw back into the desired slot.



**PERFORMANCE V3 MOD**



**SMOOTH V3 MOD**



**75% MOD**

### V3 MOD CABLE STOP ADJUST:

Your SP/SPX equipped bow will come from the factory with cable stops in the highest let off position as shown below. To increase holding weight (decrease letoff) slightly loosen the #6-32 button head screw securing the stop to the mod 1/4 turn with a 5/64" Allen Key. To move the stop, simply slide to the desired position mark. Be sure to adjust the top and bottom stops equally to ensure that the cams stay in time. Finally, re-tighten the #6-32 screw.

HIGHEST LET-OFF POSITION



LOWEST LET-OFF POSITION



### LIMB STOP OPTION:

The SP/SPX cam systems are the first of their kind that also allow the use of a limb stop for those that desire a rock-solid back wall at full draw. With the 90-degree landing pad installed from the factory, the shooter simply needs to install the limb stop into the correct position on the mod cable stop to achieve the solid limb stop feel.

HIGHEST LET-OFF POSITION



LOWEST LET-OFF POSITION



**WARNING: DO NOT DRAW YOUR BOW WITH THE CABLE STOP REMOVED! DOING SO CAN CAUSE THE BOW TO LOCK UP AND DAMAGE YOUR BOW.**

## **INSTALLATION**

1. Locate the two supplied limb stops as well as the 6-32 mounting screws included with your manual.
2. Install the limb stops onto the top and bottom cams in the tapped hold farthest from the cable stop contact surface (highest let off position).
3. Draw your bow back and determine if the stops are contacting the landing pads at full draw.
4. If not, move the limb stops to the next hole toward cable contact surface, and recheck.
5. Once the limb stops are contacting and you have the back wall feel you are looking for, adjust to the desired let off.

## **ADJUSTING LET OFF WITH LIMB STOPS**

There are two methods to adjust the let off with limb stops installed. The first method is to adjust the position of where the limb stop is mounted to a position closer to the cable stop contact surface. If you reach the last hole and desire additional holding weight you can then move the cable stop out from the highest let off position which will also adjust the limb stop and decrease the let off further.

## **DIFFERENT FEEL FOR THE BACK WALL**

The SP/SPX cam systems allow the most adjustment for how the back wall feels, customizable to the archer. Three popular configurations are:

1. Cable stop only: This configuration would be as delivered from the factory. The cable stops provide a firm back wall but allow for some give as you pull through your shot. The cable stops will allow for the highest let off and the softest feel.
2. Limb stops after cable stops: The user can install the limb stops to contact the landing pad after the cable stop contacts. This is a unique option for those that want a little give to the back wall but also want to limit the amount they can pull into the wall. The position of the limb stop will allow the shooter to adjust how much they can pull into the wall before the limb stop hits.
3. Limb stops first: This option will provide slightly more holding weight than the cable stops, but will give the most solid back wall feel. This is the traditional Elite back wall.

## **DRAW LENGTH VS LET OFF**

The SP/SPX cam systems provide more adjustment for draw length and let off than any other cam systems available. These cam systems are rated for draw length and speed with the cable stops in the 80% letoff position. Adjusting letoff on the SP/SPX cams will affect the draw length of the bow. The higher the letoff, the longer the draw length. The highest letoff position will increase draw length by approximately 0.3". When referencing the mod position chart, you may compensate for the change in draw length based on your desired letoff by adjusting the V3 mod into the next shorter or longer position without affecting your holding weight.

## **STABILOCK POCKETS**

StabiLock Limb pockets include S.E.T. Technology. This 2-piece limb pocket system allows for the innovative tuning of your bow while providing a solid and secure system for locking down your limbs.

- Dual Limb Cap locking screws to secure the cap to the riser with no unwanted side to side movement.
- Limb locating posts are integral to the cap to locate the limbs within the pocket
- Featuring a wider limb stance for increased limb stability
- Three (3) full turns of limb bolt adjustment for a full 10-pounds of draw weight adjustment

## **VIBE X BLOCKS**

Not all dampeners are made the same. The VIBE X limb dampeners from Elite deliver a smooth, quiet, and shock-free shot.

## **DELTA VRT DAMPENER**

For added dampening and vibration reduction, certain Elite bows come equipped with the Delta VRT Dampener. These bows include the Elite OMNIA, 2024 ETHOS, 2024 KAIROS, and 2024 ALLURE. This short dampener and 1.6oz weight located in a second lower front bushing, help deliver a vibration free shot. If the Delta VRT is removed, this bushing acts as a secondary front stabilizer mounting location.

# FINE TUNING TIPS (RIGHT HANDED SHOOTER)

## HIGH TEAR



- Lower nock point
- Raise arrow rest

## LOW TEAR



- Raise nock point
- Lower arrow rest

## RIGHT TEAR



- Turn S.E.T. clockwise
- Arrow rest to left
- Lower draw weight
- Move cable guard away from arrow

## LEFT TEAR



- Turn S.E.T. counter-clockwise
- Arrow rest to right
- More draw weight
- Move cable guard towards arrow

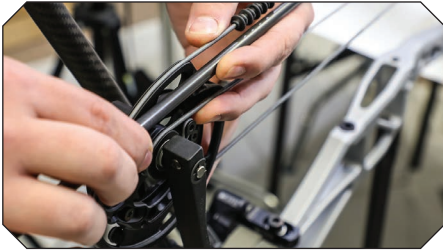
## BULLET HOLE



- Perfect bullet hole

## CHECKING STATIC CAM LEAN

S.E.T. Technology allows you to fine tune cam lean and make adjustments to match individual shooting preference. This can be checked by simply laying an arrow across the top and bottom cams and checking the alignment in relation to the string.



## CHECKING CENTER SHOT

As a good starting point, nock an arrow and then lay an arrow across the flat part of the riser and check relative parallel straightness of the nocked arrow and arrow against the riser.



# LINEAR TUNABLE ROLLER

## TUNING GUIDELINES

In conjunction with rest tuning, cam spacing, and nock position, cable tension tuning can serve as an alternate adjustment method to aid in paper, bare shaft, or broadhead tuning. Consult your local proshop or certified Elite dealer for assistance if needed.



### TENSION DECREASE

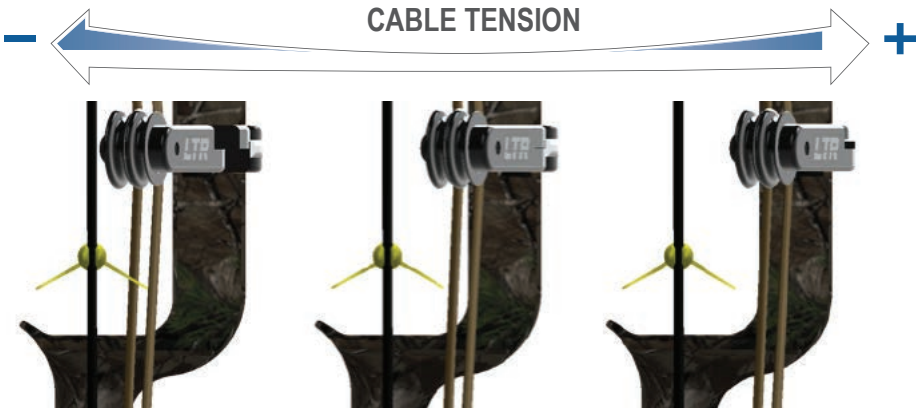
- To correct left nock tear
- To decrease vane clearance
- To minimize cable tension if vane clearance is sufficient
- To induce cam lean toward the riser

### NEUTRAL

- Factory preset position
- Provides vane clearance for a wide variety of vane types and configurations

### TENSION INCREASE

- To correct right nock tear
- To increase vane clearance
- To induce cam lean away from the riser



## ADJUSTING THE DRAW WEIGHT

Before making any adjustments to the limb bolts, the four pocket screws need to be loosened about one full turn. After adjusting limb bolts to the desired weight, make sure to tighten the four pocket screws.

### WARNING:

**DO NOT TURN THE LIMB BOLTS OUT MORE THAN THE RECOMMENDED TURNS!**

- **3 TURNS-** recommended for Ethos, Kairos, Allure, Omnia, Era, Verdict
- **4 TURNS-** recommended for Terrian
- **8 TURNS-** recommended for Basin & Ember

Doing so could damage the bow, cause limbs to break out of their pockets, and result in bodily injury. It will also void your Elite warranty.

## CAM ADJUSTMENT AND TUNING

Some Elite Archery bows use a modular based cam system. All Elite bows are set to peak performance from the factory. See cam adjustment basics chart for more information.

**NOTE:** Draw stop setting adjustments allow fine tuning to achieve individual draw length requirements, however, adjusting the draw length will affect let-off and valley at the same time. Achieving an exact let-off at a specific draw length will require some trial and error with minor modifications and/or use of a draw board and digital scale. See your local Elite dealer or pro shop for assistance.

## STRING, CABLES, & TUNING FOR ALL ELITE BOWS

- Elite recommends you cycle the bow 100-125 times to settle the string and cables into the grooves. To adjust your peep sight, simply twist the string from the bottom in  $\frac{1}{2}$  turn increments until the peep sight aligns. In some cases, this may need to be repeated after cycling and an additional 150-200 shots.
- We recommend waxing the string often. To wax the string, apply wax liberally to the entire length of the string. Rub briskly with fingers until the string appears slick. Remove excess wax with a clean towel or cloth. Waxing every other time you shoot will lengthen the life of your string and cable sets.
- When setting the center shot on a modern Elite bow, measure from inside the riser from the berger hole to the center of the arrow.
- We recommend shooting arrows that weigh no less than 5 grains per pound of draw weight. Using arrows with less than 5 grains per pound will void any and all warranties and could cause bodily harm to yourself or damage your bow.

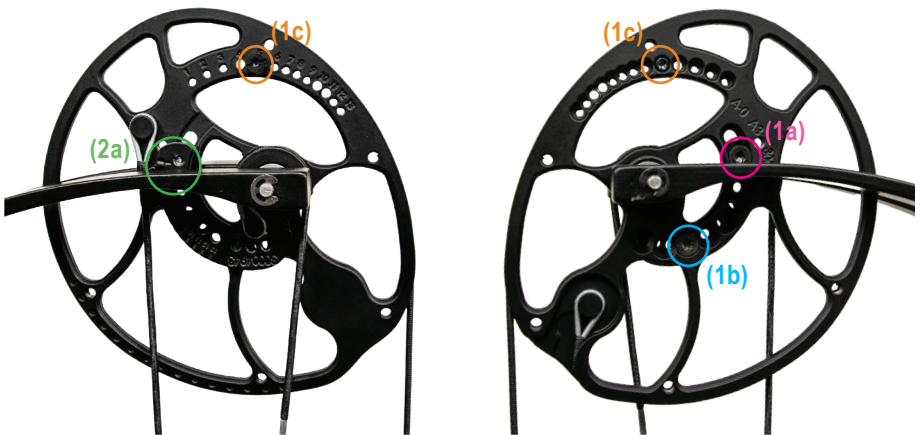


# ADJUSTING DRAW LENGTH ON TERRAIN

Reference draw length chart for your bow model in this manual. The number on the mod that aligns with the indicator mark on the cam is the current mod position and can be correlated to a draw length in the chart. Each number corresponds to a 1/2" increment.

## STEPS

1. Loosen the mod screw (1a) that is in the slot of the cam using a T15 Torx wrench.
2. Remove the remaining mod screw (1b).
3. Rotate the mod into your desired position. The indicator mark on the cam should align with the desired mod position number on the mod (2a).  
NOTE: it may be necessary to completely remove both screws.
4. Reinstall the mod screw to the hole on the cam that is aligned with the hole on the mod.
5. Tighten or install the remaining mod screw in the furthest position possible from the first mod screw.
6. Remove the limb stop using a 3/32" Allen key. Set to the corresponding mod position (1c).
7. Top and bottom mods and cable stops should be adjusted into the same position.



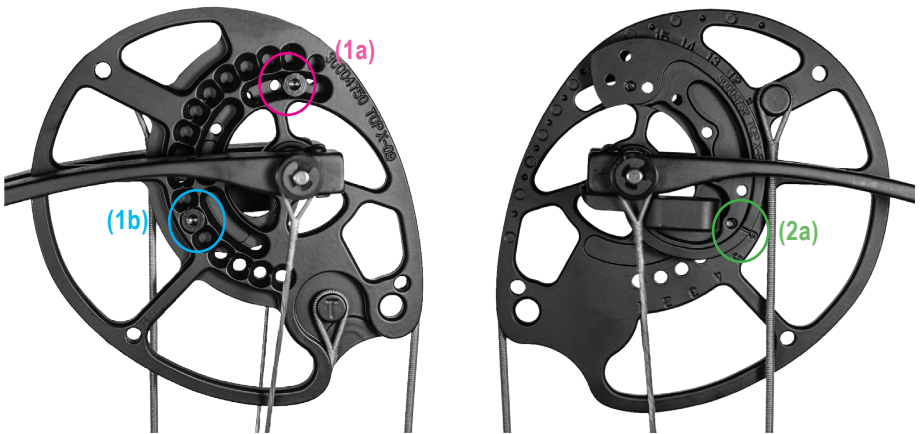
# ADJUSTING DRAW LENGTH ON BASIN AND EMBER

Reference draw length chart for your bow model in this manual. The number on the cam that aligns with the indicator mark on the mod is the current mod position and can be correlated to a draw length in the chart. Each number corresponds to a 1" increment. If 1/2" increments are desired, position the mod indicator mark between the designated positions on the cam.

## STEPS

1. Loosen the mod screw (1a) that is in the slot of the cam using a T15 Torx wrench.
2. Remove the remaining mod screw (1b).
3. Rotate the mod into your desired position. The indicator mark on the mod should align with the desired mod position number on the cam (2a).  
NOTE: it may be necessary to completely remove both screws.
4. Reinstall the mod screw to the hole on the cam that is aligned with the hole on the mod.
5. Tighten or install the remaining mod screw in the furthest position possible from the first mod screw.
6. Top and bottom mods should be adjusted into the same position.

NOTE: For 1/2" increments set the indicator mark on the mod in between the two closest mod position numbers, and install screw (1b) into the hole that is aligned on the mod.



**WATCH: ADJUSTING DRAW LENGTH  
ON ELITE ARCHERY'S EMBER**

# BASIN AND EMBER OPTIONAL LIMB STOP INSTALLATION

Elite Pro Shooter Nathan Brooks has a video on the installation of the Basin and Ember limb stop. You can watch the video - and subscribe to all Elite videos - on YouTube. Search YouTube for “How to install limb stop on a 2020 Elite Ember” or visit the following link: <https://youtu.be/oh4iPLDhFLw>

The Basin and Ember cams allow for the use of an optional limb stop. If desired, a limb stop can be used for a solid back wall or removed for a softer back wall feel.

## TO INSTALL LIMB STOP

1. Install the Draw Stop Nut into the slot on the back side of the Limb Stop Bracket.
2. Install the Draw Stop using the provided #6-32 mounting screws.
3. Top and bottom Draw Stops will need to be moved into the correct position using a draw board to achieve the desired feel.
4. Contact a Pro Shop for assistance with timing.



# ELITE ARCHERY CAM ADJUSTMENT BASICS

## ADJUSTMENT RESULTS

ADJUSTMENT	DRAW LENGTH	DRAW WEIGHT	VALLEY / LET-OFF	ATA	BRACE HEIGHT
TWISTING CABLES	Increase	Increase	Slightly Increase	Decrease	Slightly Increase
UNTWISTING CABLES	Decrease	Decrease	Slightly Decrease	Increase	Slightly Decrease
TWISTING STRING	Decrease	Decrease	Slightly Decrease	Slightly Decrease	Slightly Increase
UNTWISTING STRING	Increase	Increase	Slightly Increase	Slightly Increase	Slightly Decrease
MOVE DRAW STOPS IN	Slightly Decrease	_____	Shorten Valley, Decrease Let off	_____	_____
MOVE DRAW STOPS OUT	Slightly Increase	_____	Lengthen Valley, Increase Let off	_____	_____



# THE ELITE PROMISE

ELITE ARCHERY COMBINES A UNIQUE HUNT GUARANTEE WITH A LIMITED LIFETIME WARRANTY FOR AN ELITE PROMISE THAT GIVES HUNTERS AND ARCHERS PEACE OF MIND KNOWING ELITE ARCHERY STANDS BEHIND ITS PRODUCTS, RETAILERS AND CUSTOMERS.

## LIMITED LIFETIME WARRANTY

Elite Archery stands behind the workmanship and overall quality of its bows through a Limited Lifetime Warranty to the ORIGINAL OWNER. This Limited Lifetime Warranty is non-transferable and is valid only on the purchase of a new bow from an authorized retailer. Bows purchased online, from mail order or from an unauthorized Elite retailer will NOT be covered under this Limited Lifetime Warranty. You must register your Elite bow within 30 days of purchase on the Warranty Registration page of [www.elitearchery.com](http://www.elitearchery.com) This warranty covers the riser, pockets, limbs, and eccentrics against defects in material and workmanship. The Elite Archery Limited Lifetime Warranty does not cover strings, cables, decoration, and overall finish of the bow. Elite Archery recommends the use of only genuine Elite replacement or aftermarket strings, manufactured by Winner's Choice Bowstrings. The use of bowstrings or cables by any other manufacturer that does not meet the Elite specifications may void the Limited Lifetime Warranty. Alterations or modifications to any portion of the bow by the consumer may also void this Limited Lifetime Warranty. The Limited Lifetime Warranty does not cover misuse or abuse of the bow such as dry-firing, dropping, intentional, or unintentional damage, etc. Elite Archery reserves the right to deny warranty coverage in the event that misuse is observed. Elite Archery retains the right to replace components with equivalent components that may be of different design or decoration. Elite Archery may also request to visually inspect failed components prior to issuing parts and/or service. There are no other warranties expressed or implied binding Elite Archery, Certified Elite retailers, and Certified Elite Distributors (International).

## ELITE HUNT GUARANTEE

Elite Archery believes that our customers are top priority and we want our customers to be 100% confident in their bows. Elite Archery is comprised of dedicated and passionate bow hunters – for this reason we offer a unique guarantee for our hunting customers. No matter where you are or what happened to your bow, Elite will send a bow to you so you can finish your hunt. You only pay for shipping. This bow is on loan from Elite Archery and not intended to replace your damaged bow. The loaner bow will arrive with your requested draw weight and length, a rest, sight, and peep installed. The bow will be tuned and ready to shoot. It will only need to be sighted in with your arrows.

If something happens to your bow while on your hunt, please call us at **877-503-5483** and speak with our customer service department. The bow must be returned to us in the condition it was shipped with all accessories. The loaner bow will be sent to you right away – you just cover the cost of shipping. Our goal is to make sure you can finish your hunt, no matter where you are, no matter what happened.

# GET ALL THE DETAILS

GET A FULL RUN DOWN OF THE COMPLETE ELITE LINE UP OF BOWS BY VISITING [ELITEARCHERY.COM](http://ELITEARCHERY.COM)

COMPLETE BOW SPECS

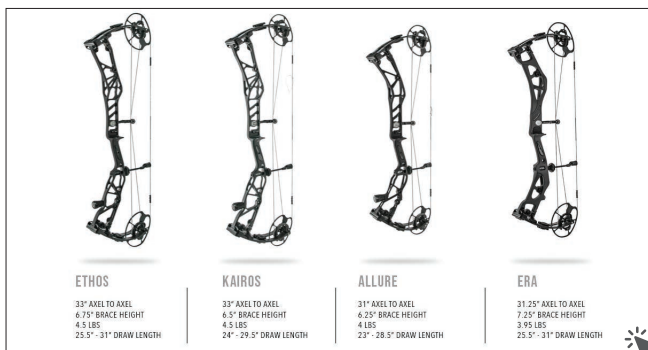
MOD CHARTS

TUTORIALS & HOW TO'S

OTHER RESOURCES



SCAN THE QR CODE  
Find specifications for  
all Elite Archery bows



## WARRANTY REGISTRATION

REGISTER YOUR ELITE ARCHERY BOW NOW

[Elitearchery.com/warranty-reg](http://Elitearchery.com/warranty-reg)

TAKE A PHOTO  
TO GET STARTED



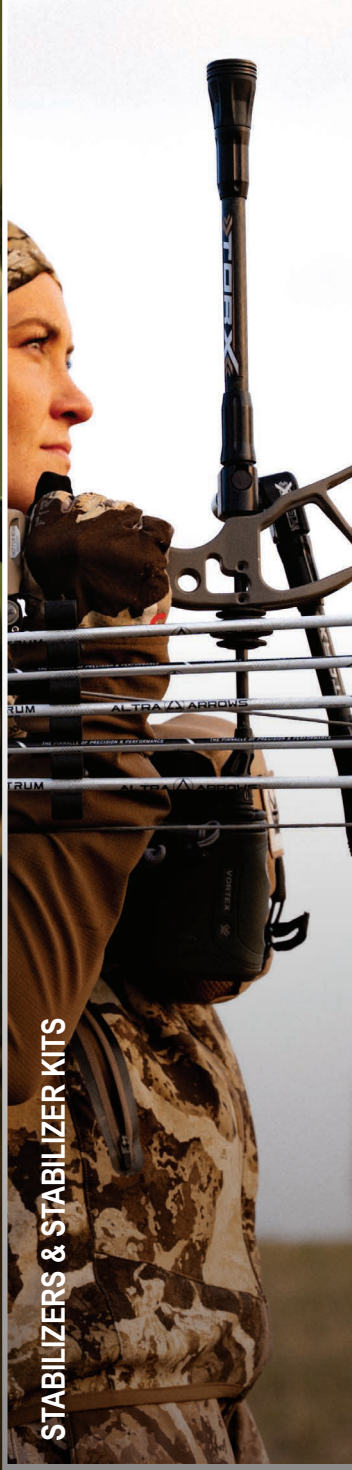
SEE THE GROWING COLLECTION  
AT ELITEARCHERY.COM



CUSTOM PERFORMANCE MODS



STABILIZERS & STABILIZER KITS



ELITE BRANDED GOODS



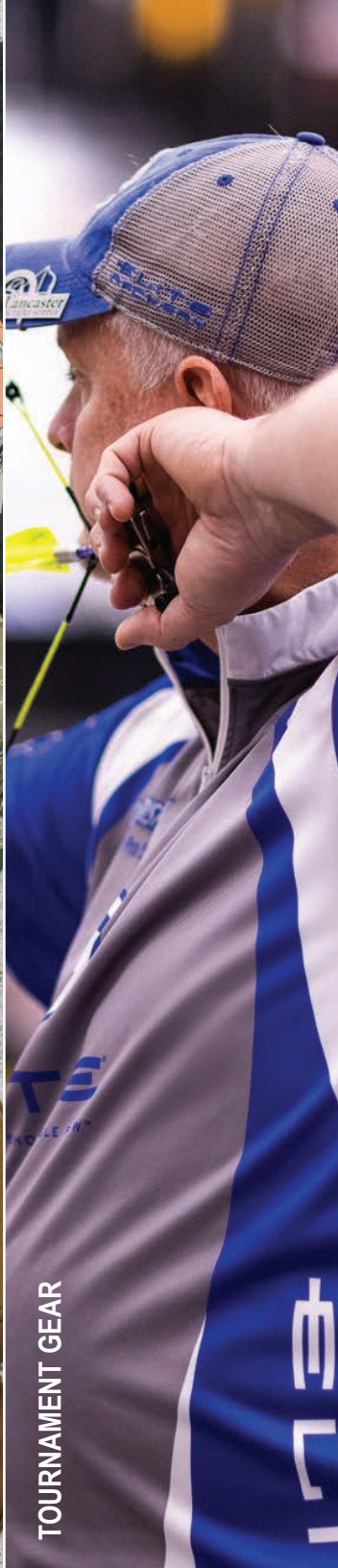




QUIVERS



SHIRTS, HOODIES, HATS



TOURNAMENT GEAR



**ELITE®**

THE WORLD'S MOST SHOOTABLE BOW™



**THE OUTDOOR GROUP LLC**



**THE OUTDOOR GROUP  
1325 JOHN STREET  
WEST HENRIETTA, NY 14586**

**1.877.503.5483  
ELITEARCHERY.COM**

FOR PATENT INFORMATION VISIT [WWW.ELITEARCHERY.COM/PATENTS](http://WWW.ELITEARCHERY.COM/PATENTS)

#### **LIABILITY DISCLAIMER**

THE OUTDOOR GROUP, LLC IS NOT LIABLE FOR ANY PERSONAL INJURY, DEATH, OR PROPERTY DAMAGE THAT MAY RESULT FROM YOUR USE OF THIS PRODUCT. THE USER OF THIS PRODUCT ASSUMES ALL RISKS OF PROPERTY DAMAGE OR INJURY TO YOURSELF AND OTHERS THAT MAY ARISE FROM ITS USE. USE OF THIS PRODUCT BINDS THE USER TO THIS AGREEMENT.