

# **TORNADO**

## **Under Cabinet Range Hood**

### **OWNER'S MANUAL**



**Model No: Tornado – 30**



**READ AND SAVE THE INSTRUCTIONS**



**For domestic use only**



# CONTENTS

---

RECOMMENDATIONS AND SUGGESTIONS  
SPECIFICATIONS  
INSTALLATION & USE  
MAINTENANCE&CLEAN

Model	Tornado 30"/36"
Rated Voltage	110 -120V
Rated Power Frequency	60Hz
Light Power	2 x 20w
Motor Power	2 x 70W
Water auto-clean Power	8W (Optional)
Total Power	188W (180 W without auto-clean)
Exhaust duct size	<b>6" top round or rectangular top or back</b>
CFM	300CFM / 500CFM / 700CFM ( first to third speed)
Noise Levels	1.9 Sone(46dB) / 4 Sone(58dB) / 8 Sone(80dB)
Dimension (mm)	W29.5" (or 35.5") x D22" x H 7"

**TO REDUCE THE RISK OF FIRE, ELECTRIC SHOCK OR INJURE TO PERSONS,  
PLEASE OBSERVE THE FOLLOWINGS:**

There is a fire risk if cleaning is not carried out in accordance with instructions.

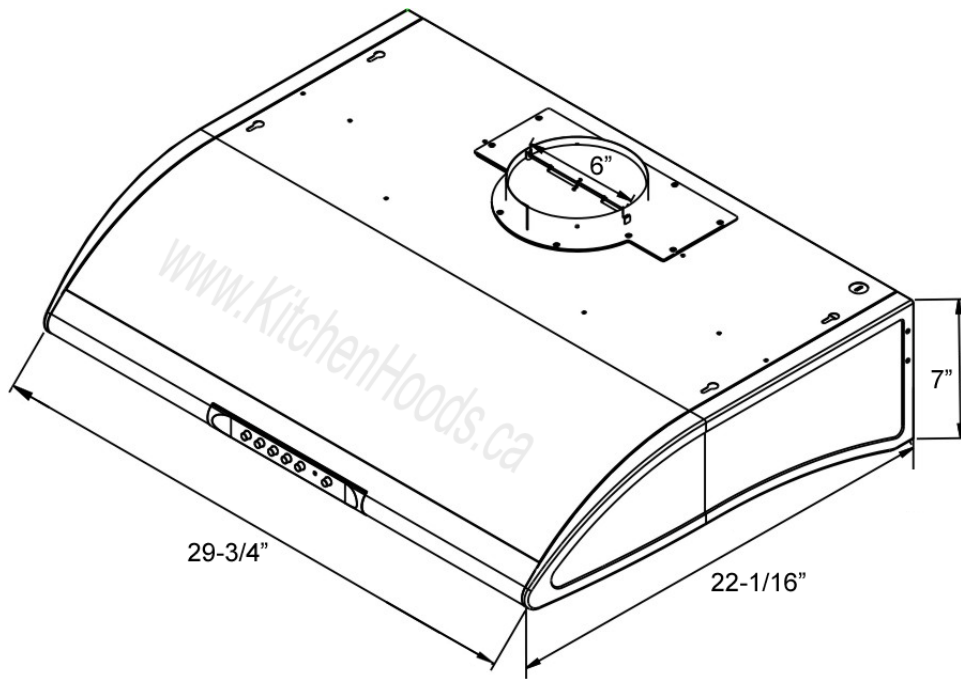
The range hood has been designed only for domestic use to eliminate kitchen fumes.

- 3 . • Installation work and electric wiring (including switch location) must be done by the qualified person(s) in accordance with local applicable codes and standards.
- 4 . • This hood may have sharp edges. Be careful to avoid cuts and abrasions during installation and cleaning.
- 5 . • The hood must be placed at a minimum distance of 24” from electrical and 28” from gas cook top.
- 6 . • There should be adequate ventilation of the room when the hood is used at the same time as appliances burning gas or other fuels.
- 7 . • Regulations concerning the discharge of the air have to be fulfilled.
- 8 . • The air **should not be discharged** into a flue that is used for exhausting the fumes from appliances burning gas or other fuels.
- 1 0 . • This appliance is not intended to be used by children
- 1 1 . • To reduce the risk of fire or electric shock, do not use this fan with any solid-state speed control device.
- 1 2 . • When cutting or drilling into wall or ceiling, be careful not to damage the electrical wiring.
  - 1 3 . Disconnect the hood from the main power supply before performing any maintenance work.
- 1 6 . Do not flame under the range hood.
  - 
  - This range hood CANNOT be used in Recirculation Mode (internal recycling).

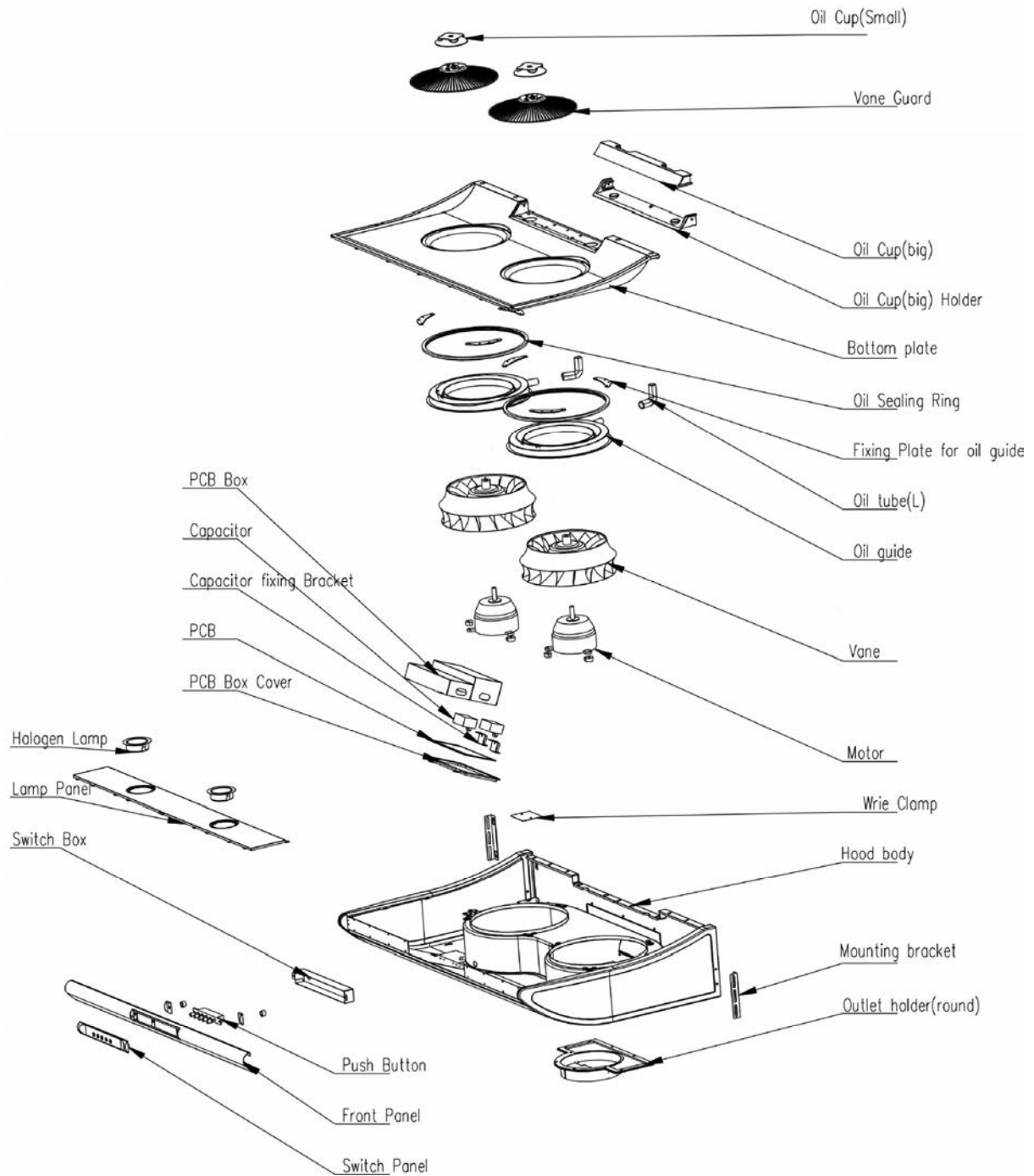
# SPECIFICATIONS

---

## Dimensions:



## PART LISTS



## INSTALLATION&USE

NOTE: carefully remove the plastic protective film from exterior of the surfaces of the hood AFTER final installation.

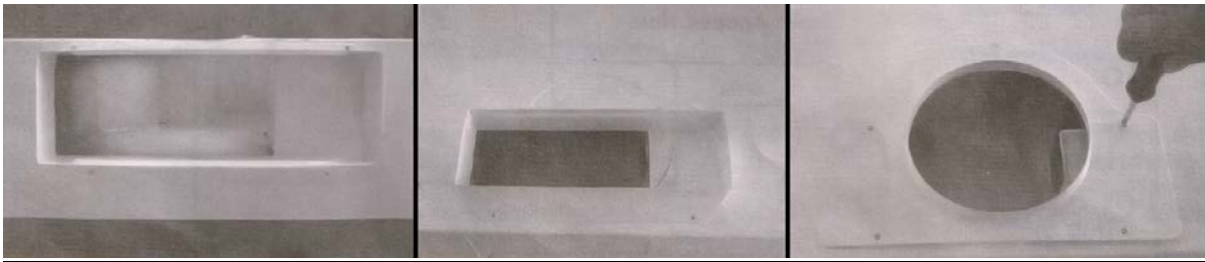
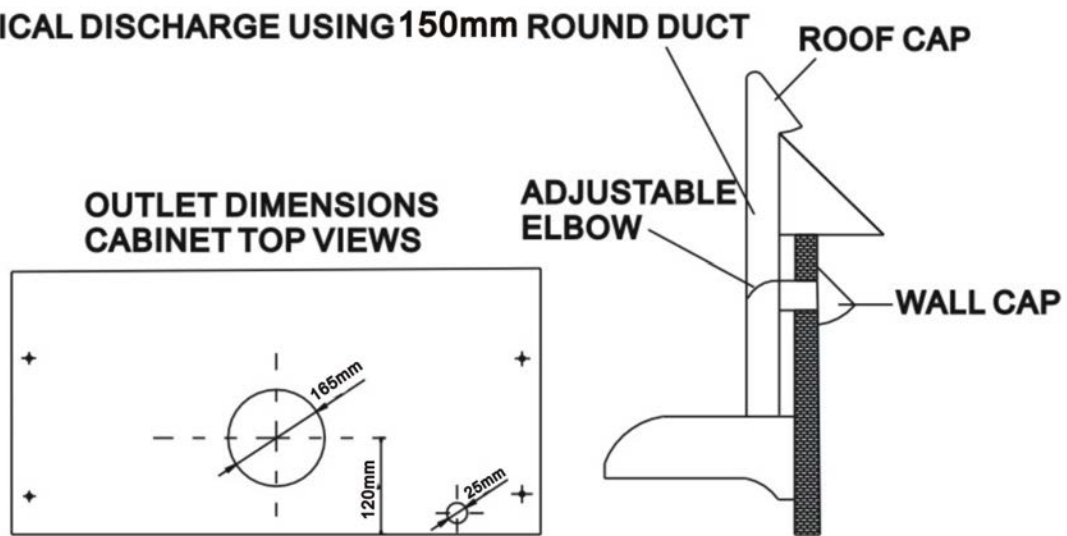
## **INSTALLATION TIPS**

This appliance should be mounted to the bottom of a standard wall cabinet. If the hood must be mounted directly to the wall, secure the hood to wall studs.

- Ductwork can be installed vertically or horizontally.
- Duct runs should be as short as possible.
- Avoid the use of 90 degree elbows or use 2 x 45 degree.
- Use aluminum tape at all joints.
- Do not use duct smaller than the discharge on the hood ( 6" round duct).

## **LOCATION PREPARATION**

### **VERTICAL DISCHARGE USING 150mm ROUND DUCT**



### **Under Cabinet mounting:**

1. Use the dimensional drawings below to lay out the range hood's mounting holes, wiring access and ductwork by marking the cabinet bottom and drywall where applicable.
2. Make cutouts for wiring and ductwork.
3. Install the ductwork so that it is flush to the range hood's mounting surface.
4. Run two-conductor + ground wire from a power source to the hood location. Bring

approximately 12" of wiring through wiring hole.

5. Drill 2mm diameter pilot holes at points where mounting holes are marked in cabinet bottom.
6. Insert 4 mounting screws, leaving approximately 6mm of thread exposed.

### **Wall mounting:**

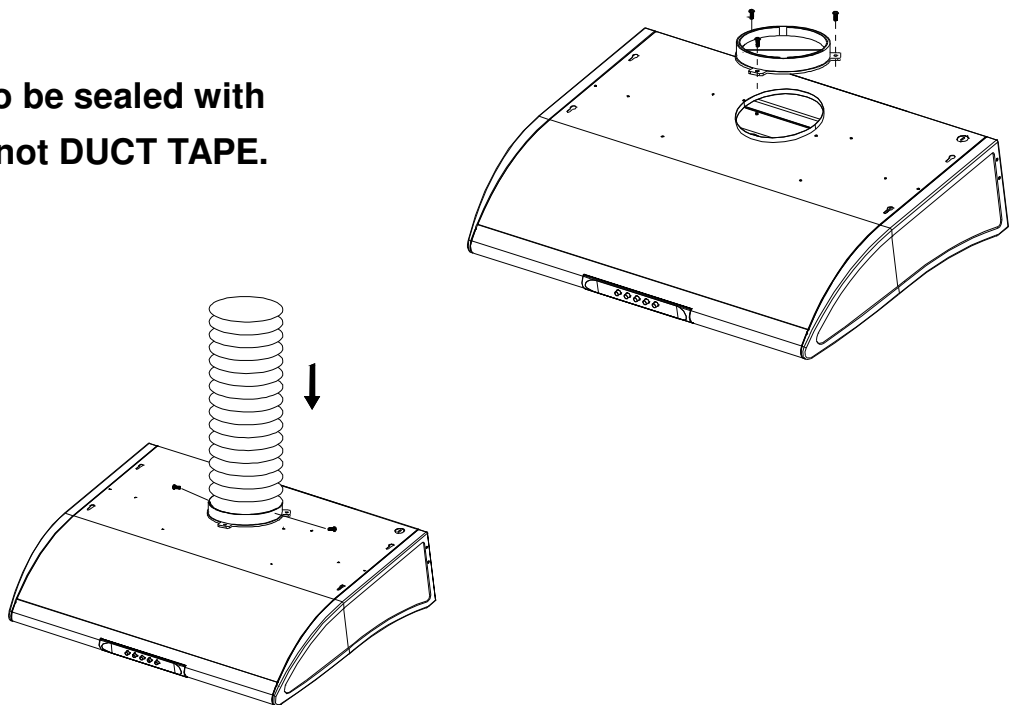
1. Mark 2 points on the wall according to the distance between two wall mounting brackets located on the hood.
2. Drill 2mm diameter pilot holes at points where marked on the wall;
1. Insert 2 drywall to the hood and put 2 mounting screws, leaving approximately 6mm of thread exposed.

## **HOOD PREPARATION - VERTICAL DISCHARGE INSTALLATION** **DUCT INSTALLATION**

Mount 6" round duct on the top of the hood, using 10 screws

1. Attach the 6" air outlet adapter to the hood.
2. Attach the exhaust duct to the adapter and secure by two screws as indicated below

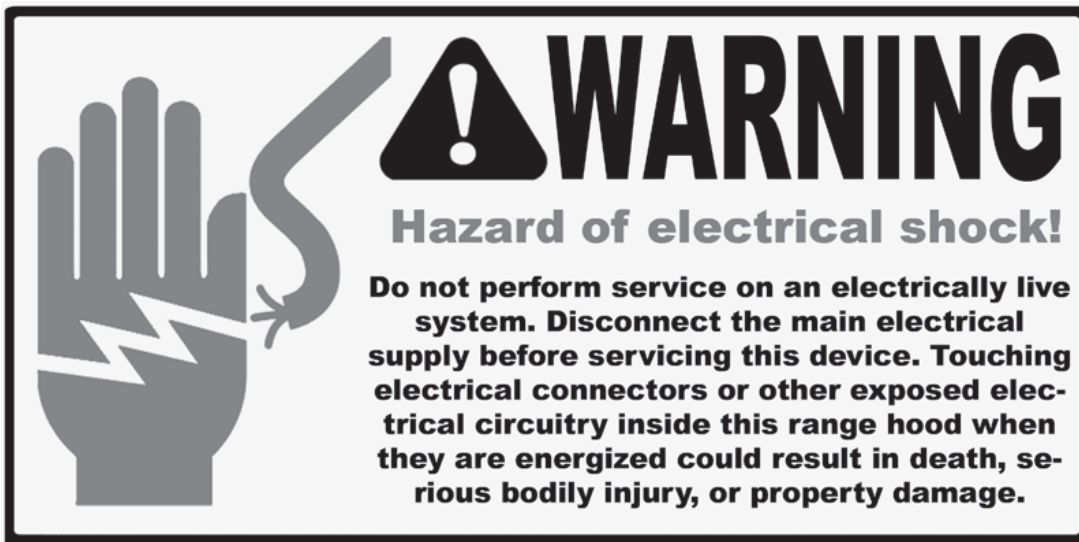
**The duct needs to be sealed with Aluminium tape, not DUCT TAPE.**



## HOOD INSTALLATION

1. Insert the power cable in the hood and tighten the wire clamp to screw the cable.
2. Align hood's keyhole mounting slots over the 4 partially installed screws.
3. Making sure the duct positions over the hood's duct adapter, push the hood against the rear wall.
4. Push the hood against the wall, hook the mounting bracket located two rear sides of hood into the mounting screws and tighten it (For wall mounting installation);
5. Push the hood against to the cabinet in position and tighten the 4 mounting screws(cabinet mounting installation)

### Electrical Connection



\* Electrical wiring must be done by a qualified person(s) in accordance with all applicable codes and standards. **Turn off the electrical power from electrical panel before wiring.**

\* If the power cord is damaged, it must be by qualified persons in order to avoid a hazard.

\* Do not use the plug and an extension cord different than the ones initially supplied with the hood.

\* Make sure the hood is grounded. Do not remove ground prong of the plug.

**Note: Risk of electrical shock. Electrical wiring must be done by qualified personnel.**

1. Using provided wire connectors, connect wires as follow: Brown wire to Positive wire, BLUE wire to Negative wire, GREEN-YELLOW to Ground.



2. Reinstall the bottom plate, make sure both grease guides are aligned with the holes, install the grease pan.
3. Using long nose pliers. Pull out each of grease guides(A), then set them in such a way their flange slightly protrudes above the bottom of surface(B).

## **LIGHT BULB REPLACEMENT**

This range hood is equipped with two halogen bulbs (12V, 20W Max, G-4 Base)

**WARNING:** Always switch off the electrical supply before carrying out any operation on the appliance. This mark listed on lamp label indicates luminaire designed to be used only with self-shielded tungsten halogen lamps or self-shielded metal halide lamps.

To change lampbulbs:

To change bulbs:

1. Remove the halogen bulb cover by using the flat screw driver.
  2. Remove the bulb by pulling the bulb out of the socket (DO NOT ROTATE).
  3. Replace with Type 12V, 20W Max, G-4 Base halogen bulb. Do not touch replacement bulb with bare hands. Use gloves. Remove the bottom plate from the hood by unscrewing 7 screws
- 1.4. unplug the lamp socket and Push out the lamp from inside;



Replace with 12VDC, 2W Max, LED bulb. Do not touch replacement bulb with bare hands!

2. Pull out the halogen bulb cover by using the flat screw driver.
2. Remove the bulb by pulling it from the socket (DO NOT ROTATE).
4. Replace with Type JCD, 12V, 20W Max, G-4 Base halogen bulb. Do not touch

replacement bulb with bare hands! Use Gloves.



### CAUTION:

1. THE SURFACE, THE BULBS AND THE COVER OF THE HALOGEN BULBS MAY BE HOT. BE CAREFUL WHEN REPLACING IT.

## OPERATION

---

The hood is operated using a push button switch on the front panel.

1 – ON/OFF SWITCH

2 -- HIGH LOW SPEED SWITCH

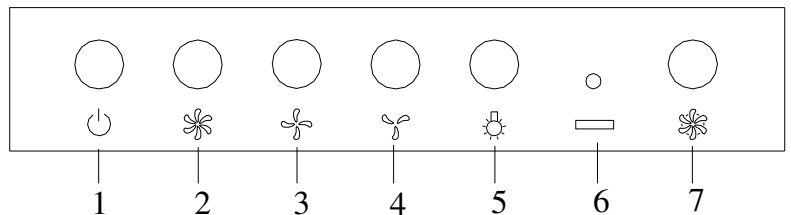
3 -- MEDIUM SPEED SWITCH

4 – LOW / HIGH SPEED SWITCH

5 – LIGHT SWITCH

6 – AUTO-CLEAN PILOT LAMP (Optional)

7 – WATER AUTO-CLEAN SWITCH (Optional)



## MAINTENANCE & CLEAN

---

**Note:** there is a fire risk if cleaning is not carried out in accordance with the instructions. This appliance should be cleaned approximately every 2 months or more frequently in the case of heavy usage. Always disconnect the power before cleaning.

1. Use neutral detergent to clean THE PLASTIC PARTS OF THE HOOD

2.1. Clean both exterior of the hood at regular intervals can keep the hood more long lasting. **Do not use abrasive cleaners.**

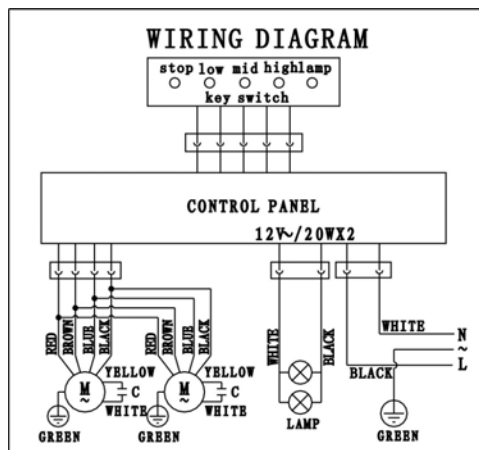
- 3.2. The oil cup in the center of the hood for holding grease can be detached and cleaned regularly.
- 4.3. Always start the hood 1 min. before you start cooking to avoid high heat in the kitchen.
4. Clean oil collectors when they are more than half filled with oil to avoid spill-over.

## **STAINLESS STEEL CLEANING**

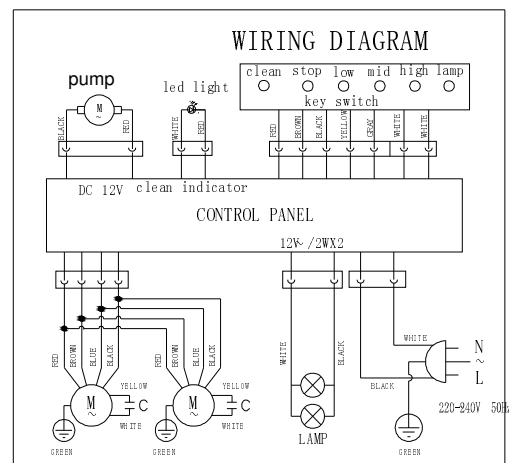
**Use stainless steel cleaners**, available at any Walmart or Home Depot.

- \* If the cleaner do not work, use a non-scratching household cleanser or stainless steel polishing powder with a little water and a soft cloth.
- \* For stubborn cases use a plastic scouring pad or soft bristle brush together with cleanser and water. Rub lightly in direction of polishing lines or “grain” of the stainless finish. Avoid using too much pressure that may mar the surface.
- \* Do not allow deposits to remain for long periods of time.
- \* **Do not use ordinary steel wool or steel brushes.** Small bits of steel may adhere to the surface causing rust.
- \* **Do not allow salt solutions, disinfectants, bleaches, or cleaning compounds to remain in contact with stainless steel for extended periods.** Many of these compounds contain chemicals that may be harmful. Rinse with water after exposure and wipe dry with a clean cloth.
- \* Painted surfaces should be cleaned with warm water and mild detergent only

## **WIRING DIAGRAM**



Without AutoClean



With AutoClean

# **TORNADO**

**Under Cabinet Range Hood**