



**VERONA**



**ELITE**

## Model: VERONA / ELITE\*

**Available Sizes: 30", 36", 42", 48"** (\*Elite only 30", 36")

### Features:

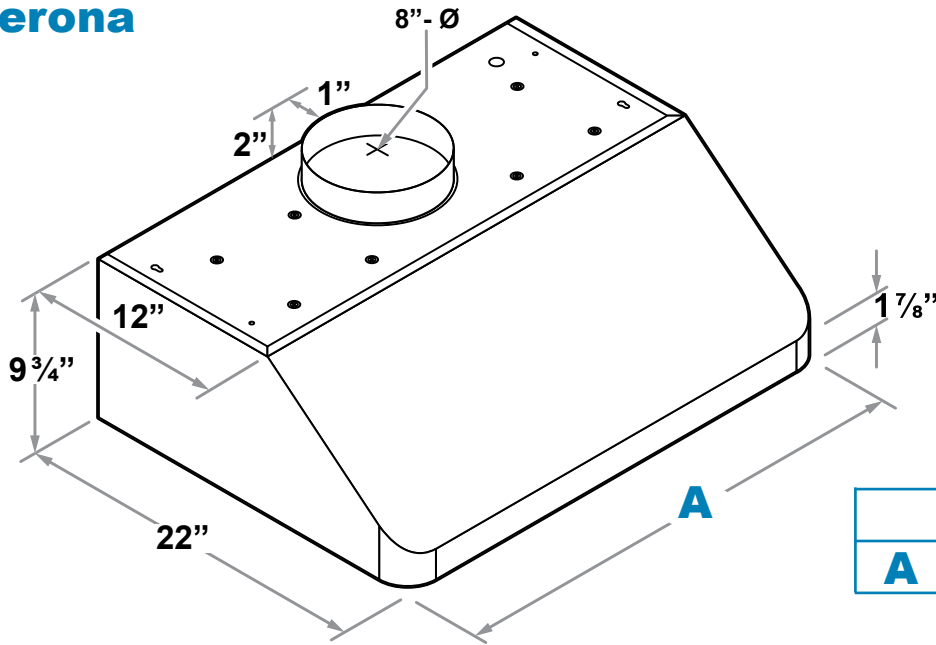
- Assembled in Canada
- 900 CFM Metal Blower
- 8" Round Duct
- Top Vent
- 4 Speed Mechanical Rotary Switch
- Hidden Switch Design
- Dimmable LED Lights
- 1 - 6 Sones
- Made with 19 Gauge Stainless Steel
- Stainless Steel Baffle Filters and Grease Tray
- Five Year Parts Warranty



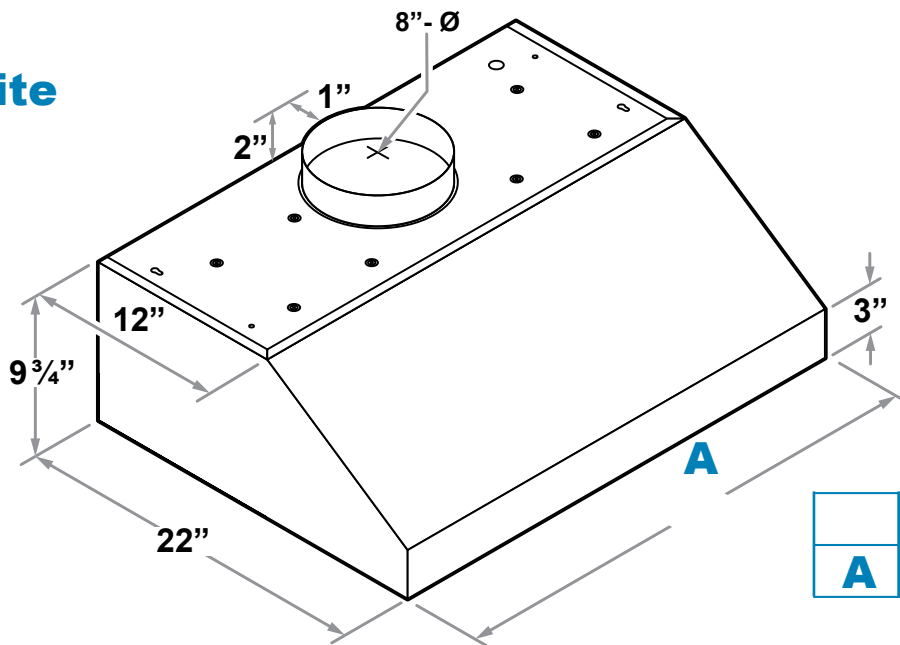
### Specifications:

Body	Seamless Stainless Steel, Brushed Finish
Power Rating	120V/60Hz (USA & Canada standard)
General Input Power	240W + 70W for halogen / 10W for LED
Motor Input Power	240W (120W +120W)
Motor Revolution	800 RPM (±10%) to 1300 RPM (±10%)
Levels Of Speed Control	4 Levels
Maximum Airflow	900 CFM
Noise Level (Q/L/M/H)	1.5 Sone(46dB) / 3.5 Sone(58dB) / 5.3 Sone(64dB) / 7.5 Sone (69dB)
Motor Type	Double Motor
Control Type	Mechanical, rotary switches
Filtration Type	Stainless Steel Baffle Filters
Illumination	5W LED, GU10, 120V
Venting Size	Top, 8 inches Round

*Specifications subject to change without notice.*

**Verona**


	30"	36"	42"	48"
<b>A</b>	29 1/2"	35 1/2"	41 1/2"	47 1/2"

**Elite**


	30"	36"
<b>A</b>	29 1/2"	35 1/2"

Project	REMARKS
Location	
Model Number	
Quantity	
Submitted by	
Date	