



Model: TWISTER-ISLAND

Available Sizes: 36", 42"

Features:

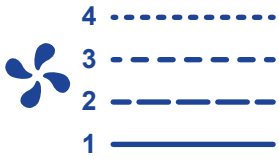
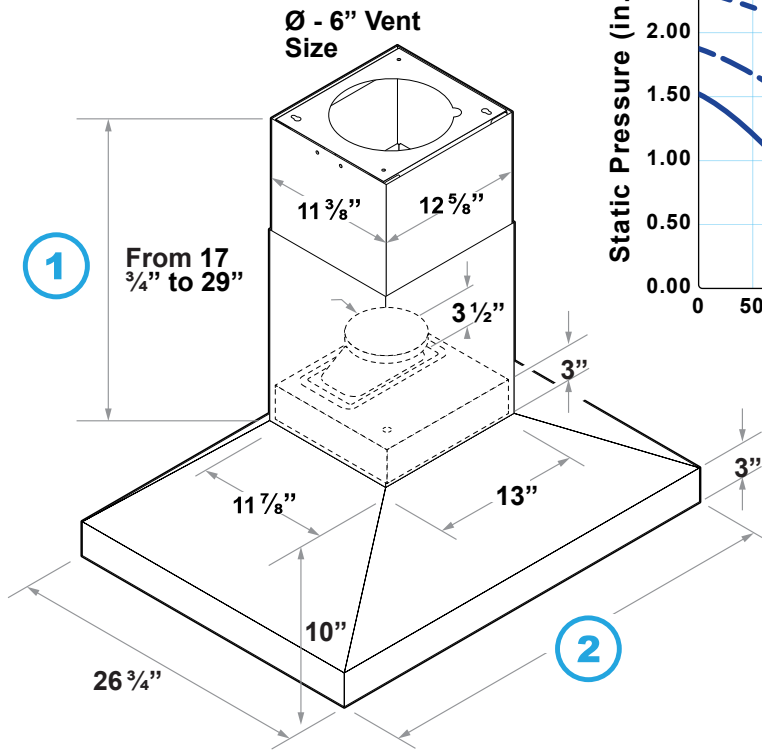
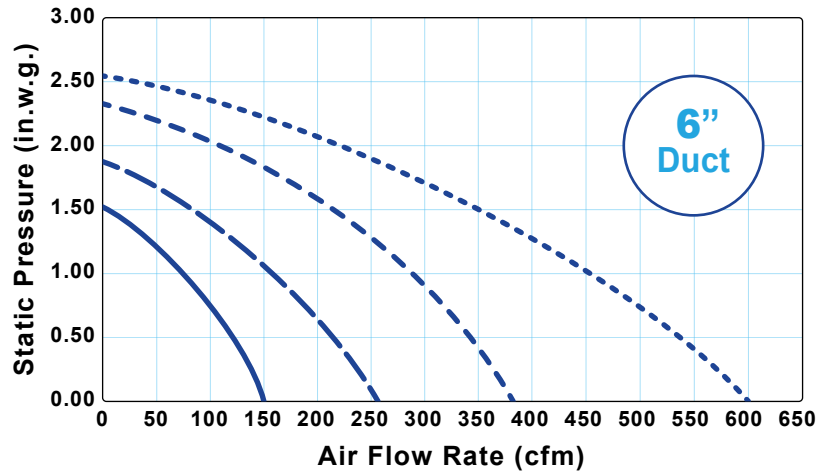
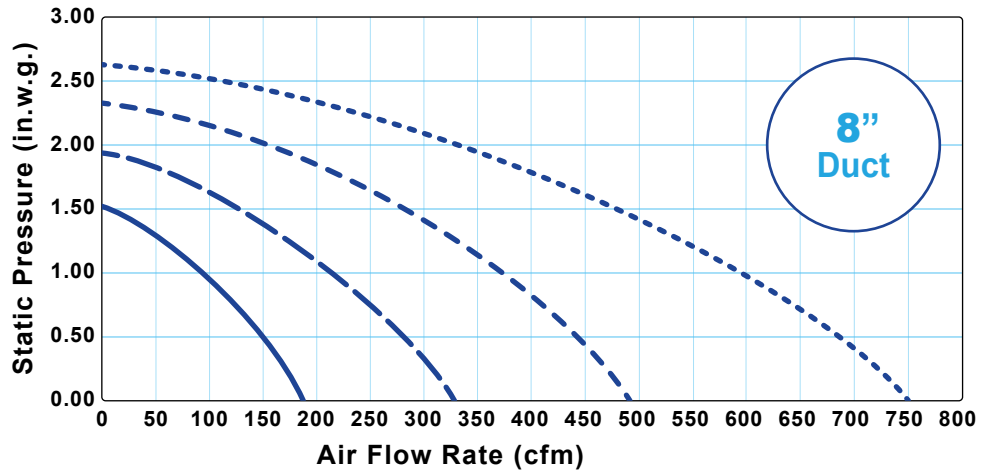
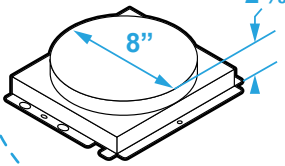
- Mounting version - Island Mounted
- 600 CFM with 6" duct, 750 CFM with 8" duct
- Heavy duty 19 gauge stainless steel (brushed finish)
- 4-speed rotary switch controls
- 4 lights for 36", 6 lights for 42"
- Top exhaust, 6" or 8"
- Stainless Steel Baffle Filters and Grease Tunnel
- Adjustable Chimney Covers for 8'-9' Ceilings
- Designed and Assembled in Canada
- 5 Year Parts Warranty + Lifetime Blower
- ETL Certified for Canada and US



Specifications:

Body Design	Seamless Stainless Steel, Brushed Finish
Power Rating	120V / 60Hz (USA & Canada standard)
General Input Power	180W (160W + 4 lights x 5W), 190W (160W + 6 lights x 5W)
Motor Input Power	160 W
Amperage	2.5 Amps
Motor Revolution	800 RPM (+/- 10%) to 1500 RPM (+/- 10%)
Levels Of Speed	4 Levels
Maximum Airflow	600 CFM (6" duct is used) / 750 CFM (8" duct is used)
Air Pressure	150 Pa (200 Pa Maximum)
Noise Level (lowest to highest speed) (sone)	Approximately 0.7 to 6.0 for 6" duct, 0.7 to 4.5 for 8" duct
Motor Type	Single Chamber Ultra Quiet (One motor, metal blades)
Fan Type	Centrifugal / Sirocco
Control Type	Rotary Mechanical Switches
Filtration Type	Stainless Steel Baffle Filters and Grease Tunnel
Illumination	4 x , or 6 x 5W, 120V Dimmable (LED)
Venting Size	Top exhaust, 6" or 8"
Weight (according to their respective sizes)	36" - 36kg / 42" - 38kg

Specifications subject to change without notice.

Fan Blower Speeds

Optional Vent Size


1 For standard ceilings

2 Available Sizes:
36", 42"

Project	DUCT SIZE 6" - <input type="checkbox"/> 8" - <input type="checkbox"/>	REMARKS
Location		
Model Number		
Quantity	LIGHTS LED - <input type="checkbox"/>	
Submitted by		
Date		