

INSTALLATION GUIDE AND USERS MANUAL

Professional Wall-Mount Range Hood



Model: **GALAXY**

Sizes: 30"

NOTICE: For residential use only.

Installer: Leave this guide with the homeowner.

Homeowner: Keep this guide for future reference.



TABLE OF CONTENTS

Important Safety Notice.....	3
Electrical Requirements.....	5
Venting Requirements.....	6
Calculating Duct System Length.....	7
Specifications.....	7
Required Tools.....	8
Parts Supplied.....	8
Dimensions.....	10
Preparation.....	12
Rough-In.....	13
Installation.....	14
Venting Methods.....	18
Range Hood Operations.....	19
Wiring Diagram.....	20
Troubleshooting.....	21
Maintenance.....	22
Bulb Replacement.....	23
Warranty.....	24
Disclaimer.....	25
Contact Us.....	25

IMPORTANT SAFETY NOTICE

Read all instructions before installing and operating this appliance

- The installation in this manual is intended for qualified installers, service technicians or persons with similar qualified background. Installation and electrical wiring must be done by qualified professionals and in accordance with all applicable codes and standards, including fire-rated construction.
- **DO NOT** attempt to install this appliance yourself. Injury could result from installing the unit due to lack of appropriate electrical and technical background.
- Range hood may have very sharp edges; please wear protective gloves if it is necessary to remove any parts for installing, cleaning or servicing.
- Activating any switch ON before completing installation may cause ignition or an explosion.
- Due to the size and weight of this range hood, two-person installation is recommended.

To reduce the risk of fire, electric shock, or injury to persons:

- For general ductilating use only. **DO NOT** use to exhaust hazardous or explosive materials and vapors.
- The combustion air flow needed for safe operation of fuel-burning equipment may be affected by this unit's operation. Follow the heating equipment manufacturer's guideline and safety standards such as those published by the National Fire Protection Association (NFPA), and the American Society of Heating, Refrigeration and Air Conditioning Engineers (ASHRAE), and the local code authorities.
- Before servicing or cleaning unit, switch power OFF at service panel and lock service panel to prevent power from being switched ON accidentally.
- Clean grease laden surfaces frequently. To reduce the risk of fire and to disperse air properly, make sure to duct air outside. **DO NOT** duct exhaust into spaces between walls, crawl spaces, ceiling, attics and/or garages.
- Ducted fans **MUST** always be ducted to the outdoors.
- Use only metal ductwork and this unit **MUST** be grounded.
- Sufficient air is needed for proper combustion and exhausting of gases through the duct to prevent back drafting.
- When cutting or drilling into wall or ceiling, be careful not to damage electrical wiring or other hidden utilities.
- All electrical wiring must be properly installed, insulated and grounded.
- Old duct work should be cleaned or replaced if necessary to avoid the possibility of a grease fire.
- Check all joints on duct work to insure proper connection and all joints should be properly taped.
- Use this unit only in the manner intended by the manufacturer. If you have questions, contact the vendor.

To reduce the risk of a stove top grease fire:

- Keep all fans, spacers, filters, grease tunnels, oil containers and grease-laden surfaces clean. Grease should not be allowed to accumulate on fan, baffle, spaces, filter, grease tunnel and oil container.
- Always turn range hood ON when cooking at high heat or when cooking foods that produce flames.
- Use high settings on cooking range only when necessary.
- Never leave surface units unattended at high settings. Boil overs cause smoking and greasy spillovers that may ignite. Heat oils slowly on low or medium settings.

IMPORTANT SAFETY NOTICE

Read all instructions before installing and operating this appliance

- Clean ductilating fan frequently.
- Always use appropriate cookware and utensils size.
- Always use cookware appropriate for the size of the surface element.

To reduce the risk of injury to persons in the educt of a stove top grease fire:

- Smother flames with a close-fitting lid, cookie sheet, or metal tray, then turn OFF the burner. Be careful to PREDuct BURNS. Never pick up a pan that has flames—you may be burned. Keep flammable and/or combustible material away from flames. If the flames DO NOT go out immediately, EVACUATE and CALL the FIRE DEPARTMENT or dial your local emergency service immediately.
- DO NOT use WATER, including wet dishcloths or towels — it will result in a violent steam explosion
- Use an extinguisher ONLY if:
 - You know you have a Class A, B, C extinguisher, and you already know how to operate it.
 - The fire is small and contained in the area where it has started.
 - The fire department is on the way.
 - You can fight the fire while having access to a safe exit.

To reduce the risk of injury to persons in the educt of a gas leaks:

- Extinguish any open flame.
- DO NOT turn on the range hood fan or any type of ductilator.
- DO NOT turn on the lights or any type of appliance.
- Open all doors and windows to disperse the gas. If you still smell gas, call the gas company and fire department or dial your local emergency service immediately.

Your safety and the safety of others is very important. We have provided many important safety messages in this manual and on your appliance. Always read and obey all safety messages. All safety messages will tell you what the potential hazard is, tell you how to reduce the chance of injury, and tell you what can happen if the instructions are not followed.



WARNING



This is the safety alert symbol. This symbol alerts you to potential hazards that can hurt you and others. All safety messages will follow the safety alert symbol and the word “WARNING”.

The manufacturer and/or distributor/reseller declines all responsibility in the educt of failure to observe the instructions given here for installation, maintenance and suitable use of the product.

The manufacturer and/or distributor/reseller further declines all responsibility for injury due to negligence and the warranty of the unit automatically expires due to improper maintenance.

The manufacturer and/or distributor/reseller will not be held responsible for any damages to personal property or real estate or any bodily injuries whether caused directly or indirectly by the range hood.

ELECTRICAL REQUIREMENTS

IMPORTANT: Observe all governing codes and ordinances.

It is the customer's responsibility:

- To contact a qualified electrician
- To assure that the electrical installation is adequate and in conformance with National Electrical Code, ANSI/NFPA 70 — latest edition*, or CSA Standards C22. 1-94, Canadian Electrical Code, Part 1 and C22. 2 No. 0-M91 - latest edition** and all local codes and ordinances.

If codes permit and a separate ground wire is used, it is recommended that a qualified electrician determine that the ground path is adequate.

A 120-Volt, 60 Hz, AC-only, fused electrical supply is required on a separate 15-amp circuit.

DO NOT ground to a gas pipe.

Check with a qualified electrician if you are not sure that the range hood is properly grounded.

DO NOT have a fuse in the neutral or ground circuit.

IMPORTANT: Save this Installation Guide for electrical inspector's use.

The range hood must be connected with copper wire/plug only.

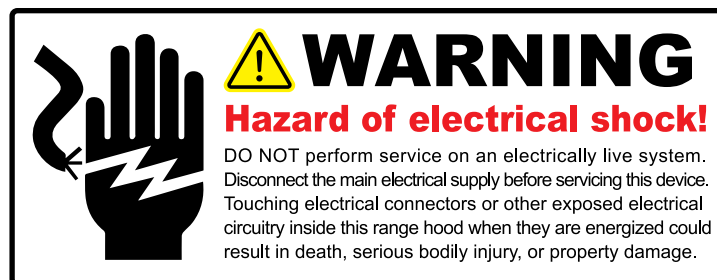
The range hood should be connected directly to the fused disconnect (or circuit breaker) box through flexible armored or non-metallic sheathed copper cable. A U.L. - or C.S.A. - listed strain relief must be provided at each end of the power supply cable.

Wire sizes (copper wire only) and connections must conform with the rating of the appliance as specified on the model/serial rating label. Wire sizes must conform to the requirements of the National Electrical Code ANSI/NFPA 70 — latest edition*, or CSA Standards C22. 1-94, Canadian Electrical Code Part 1 and C22. 2 No. 0-M91 - latest edition** and all local codes and ordinances. A U.L. - or C.S.A. - listed conduit connector must be provided at each end of the power supply cable (at the range hood and at the junction box).

Copies of the standards listed may be obtained from:

* National Fire Protection Association
Batterymarch Park
Quincy, Massachusetts 02269

** CSA International
8501 East Pleasant Valley Road
Cleveland, Ohio 44131-5575



VENTING REQUIREMENTS

- Duct system must terminate to the outside (roof or side wall).
- DO NOT terminate the duct system in an attic or other enclosed area.
- DO NOT use 4" (10.2 cm) laundry-type wall caps.
- Use metal/aluminum duct only. Rigid metal/aluminum duct is recommended.
- DO NOT use plastic duct.
- Always keep the duct clean to ensure proper airflow.
- Calculate the following figures before installation:
 1. *Distance from the floor to the ceiling.*
 2. *Distance from stove/countertop to range hood*
 3. *Height of hood and duct cover.*

For the most efficient & quiet operation:

- A distance of 24" to 30" is recommended* between stove top and the bottom of range hood
- It is recommended that the range hood be vented vertically through the roof through 6" or bigger round metal/aluminum duct work.
- The size of the duct should be uniform.
- Use no more than three 90° elbows.
- Make sure there is a minimum of 24" (61 cm) of straight duct between the elbows if more than one elbow is used.
- DO NOT install two elbows together.
- The length of duct system and number of elbows should be kept to a minimum to provide efficient performance.
- The duct system must have a damper. If the wall cap has a damper, DO NOT use damper (if supplied) on top of the range hood.
- Use aluminum foil tape to seal all joints in the duct system.
- Use caulking to seal exterior wall or roof opening around the cap. **USE 6" ROOF OR WALL VENT CAP MINIMUM.**

IMPORTANT:

- A 6" round duct (standard for this range hood) must be used to maintain maximum airflow efficiency.
- Always use rigid type metal/aluminum ducts if available to maximize airflow when connecting to provided duct.
- Please use Duct Run Calculation below to compute total available duct run when using elbows, transitions and caps.
- ALWAYS, when possible, reduce the number or transitions and turns in the duct run. If a long duct run is required, increase the duct size from 6" to 8". If a reducer is used, install a long reducer instead of a pancake reducer. Reducing the duct size will restrict airflow and decrease efficiency.
- If turns or transitions are required: Install as far away from opening and as far apart, between 2, as possible.
- Minimum mount height between stove top to hood bottom should be no less than 24-inch*.
- Maximum mount height between stove top to hood bottom should be no higher than 32-inch*.
- It is important to install the hood at the proper mounting height. Hoods mounted too low could result in heat damage and fire hazard; while hoods mounted too high will be hard to reach and will lose its performance and efficiency.
- If available, also refer to stove top manufacturer's height clearance requirements and recommended hood mounting height above range.

Minimum Duct Size:

- Round - 6"

* Due to different ceiling height configurations, recommended height may not be applicable.

CALCULATING DUCT SYSTEM LENGTH

To calculate the length of the duct system you require, subtract the equivalent feet for each “Duct piece” (Table Below) used in the system from the “Recommended maximum run” (Table Below). The longest duct run that is acceptable (if completely straight) is 50 feet. The number of duct pieces (elbow, transition, etc.) installed in your duct run will determine the maximum length the duct run can be. Please refer to the example below:

Duct Run Calculation:	
Recommended maximum run	
6” round duct	50 ft
Duct piece deduction	
Each 90° elbow used	9 ft
Each 45° elbow used	5 ft
Each 6” to 3/14 x 10” transition used	7 ft
Side wall cap with damper	7 ft
Roof cap	7 ft

Duct Run Calculation example:

One roof cap, two 90° elbows, and one 45° elbow used:

$$7\text{ft} + 9\text{ft} + 9\text{ft} + 5\text{ft} = \underline{30\text{ft}} \text{ used.}$$

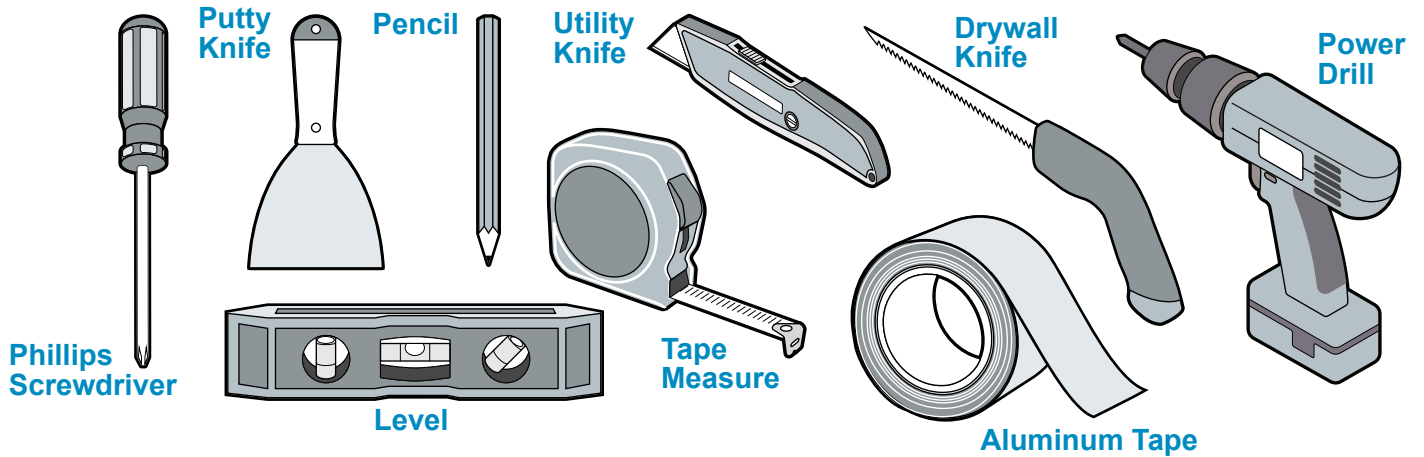
The above duct pieces used are equivalent to 30ft of a straight duct run. Subtract 30ft from the allowable 50ft. The remaining distance of 20ft is the longest that the straight ducting (in addition to the duct pieces) can be.

SPECIFICATIONS*

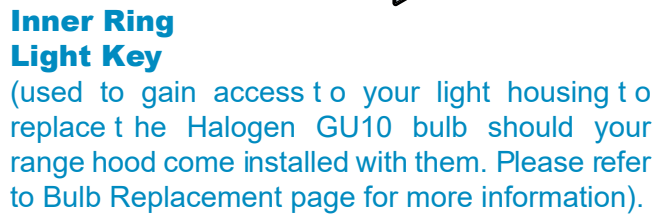
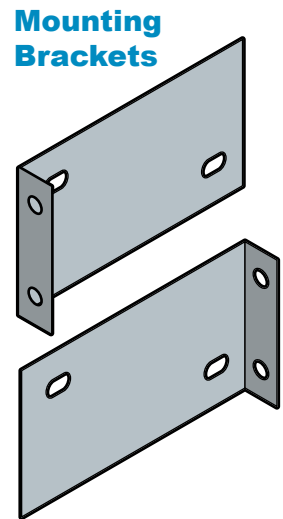
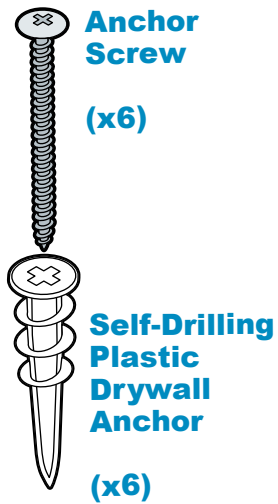
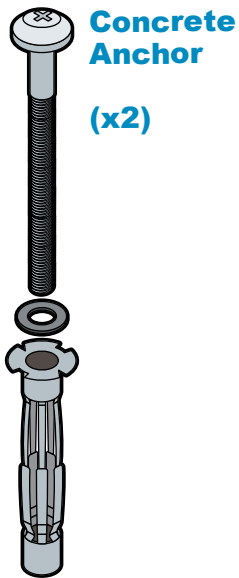
Body	Stainless Steel
Power Rating	120V/60Hz (USA & Canada standard)
General Input Power	218W + # of light x Voltage of light
Motor Input Power	218 W
Motor Revolution	600 RPM (±10%) to 1800 RPM (±10%)
Levels Of Speed Control	6 Levels
Maximum Airflow	500 CFM
Air Pressure	320 Pa
Noise Level (dB / Sone)	Approx 23 / 0.3 to 68 / 7.0 (Lowest to Highest Speed)
Motor Type	Dual Chamber Ultra Quiet
Fan Type	Dual Centrifugal / Sirocco
Control Type	6 Speed Electronic Touch Sensitive buttons with LCD Display
Filtration Type	Stainless Steel Baffle Filter
Illumination	2 x 35W GU10 Halogen, 120V (5W LED Optional)
Ducting Size	Top 6” Round
Warranty	1 YEAR (parts warranty)

* Subject to change without notice, please contact your local reseller for details.

REQUIRED TOOLS



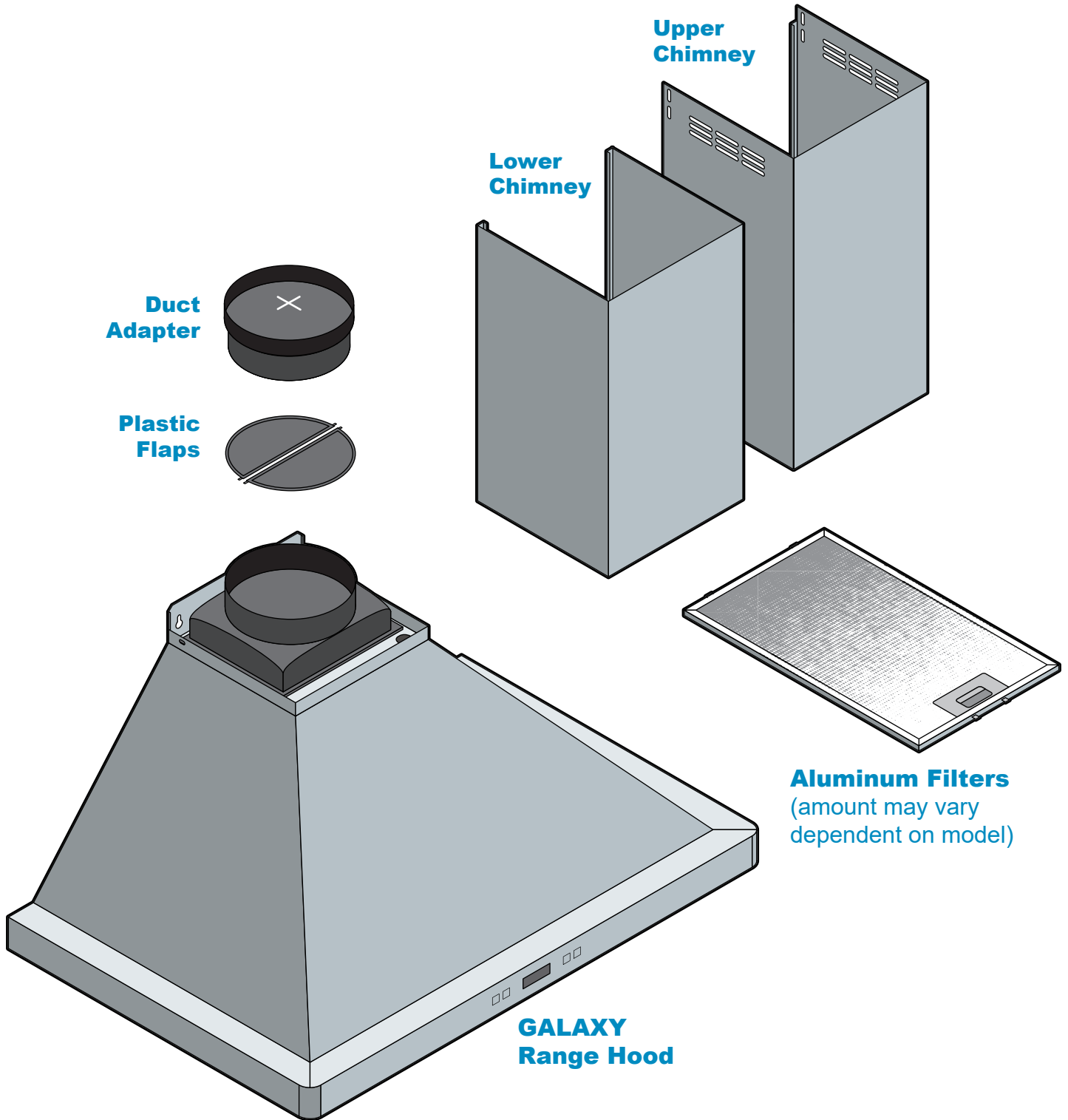
PARTS SUPPLIED



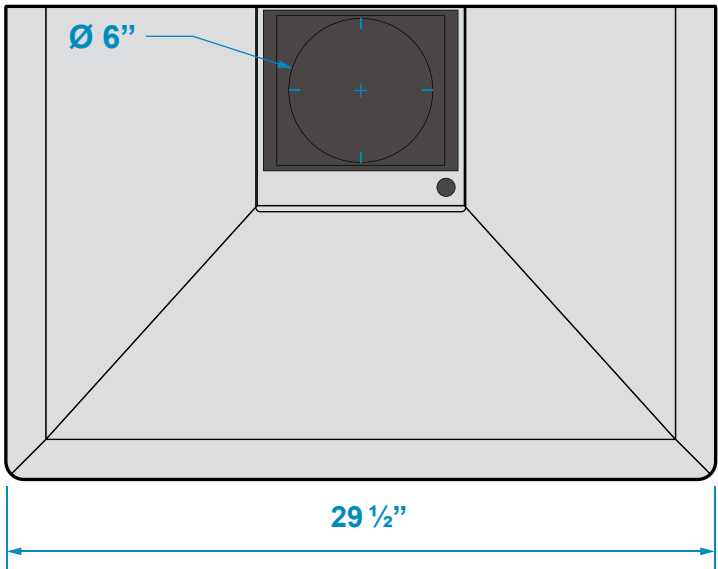
NOTE:

Where necessary, additional screws will be needed for installation and added support, but are **NOT** included. Please review contents before installation.

PARTS SUPPLIED (Continued)

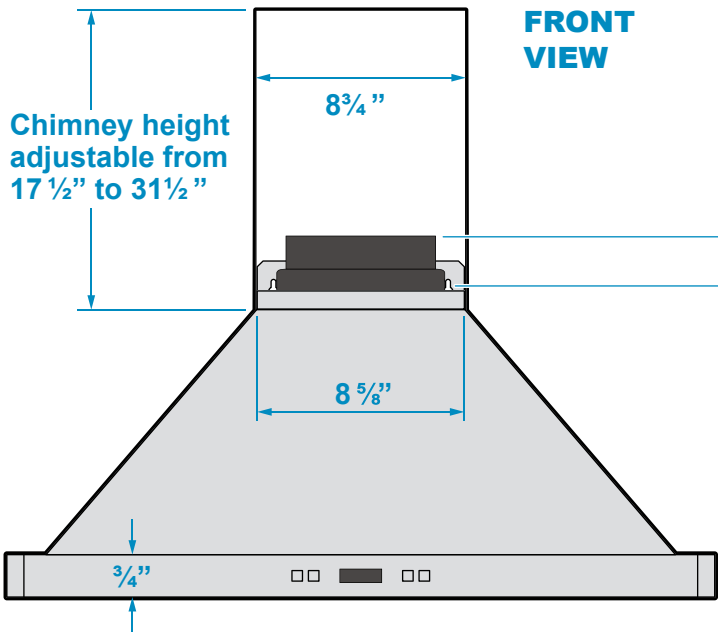


DIMENSIONS

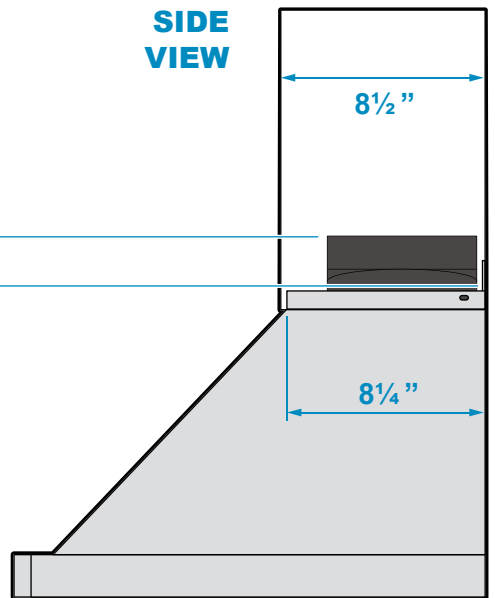


TOP VIEW

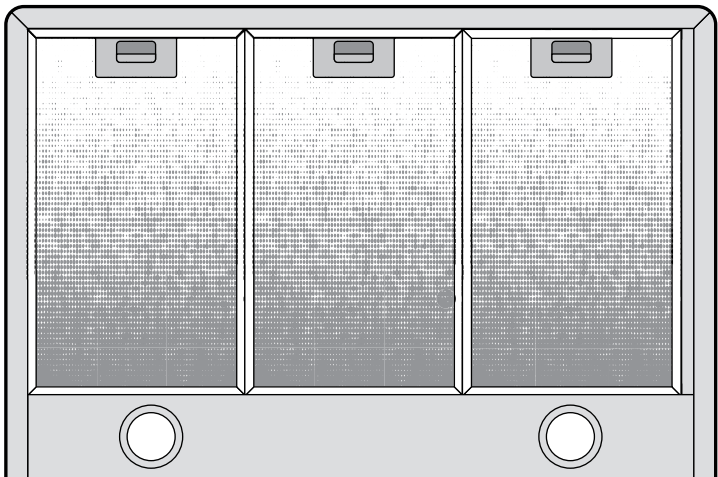
- ① Height from bottom of range hood to top of transition: 14 ⁷/₈''
- ② Height from bottom of range hood to installation holes: 13''



FRONT VIEW

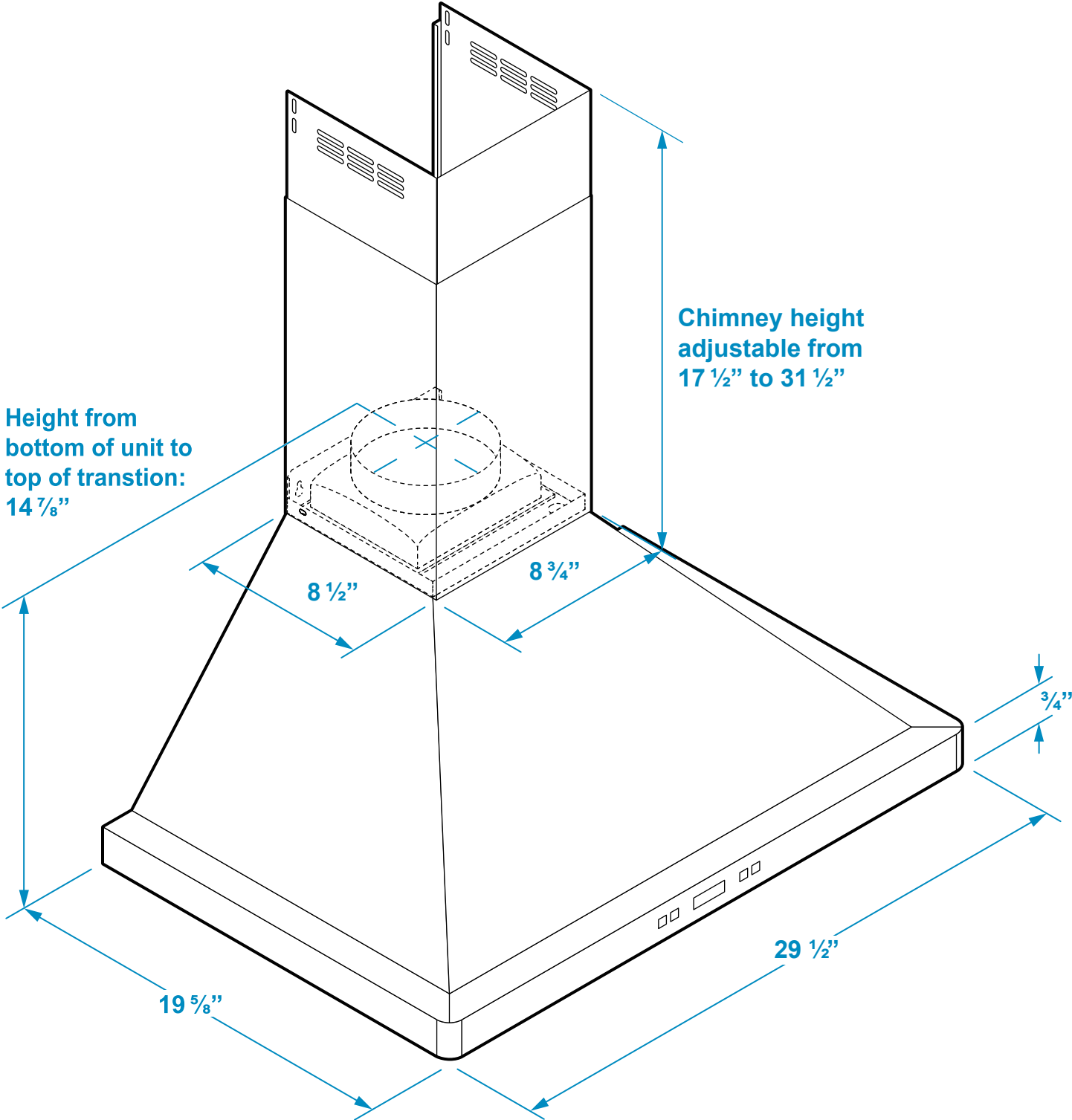


SIDE VIEW



BOTTOM VIEW

DIMENSIONS (Continued)



PREPARATION



WARNING

Severe Injury

Hood may have very sharp edges. Please wear protective gloves if it is necessary to remove any parts for installing, cleaning or servicing.



WARNING

Excessive Weight

Require three or more persons to move and install this range hood. Spinal or other bodily injuries could occur if it is not followed.

**BEFORE INSTALLING THE RANGE HOOD, CHECK FOR PHYSICAL DAMAGES.
THIS RANGE HOODS COMES WITH A WIRE AND PLUG.
TEST THE HOOD BEFORE INSTALLATION.**

If there is a grinding noise coming from the motor, **DO NOT INSTALL IT**, contact us as soon as possible.

Advanced Preparations:

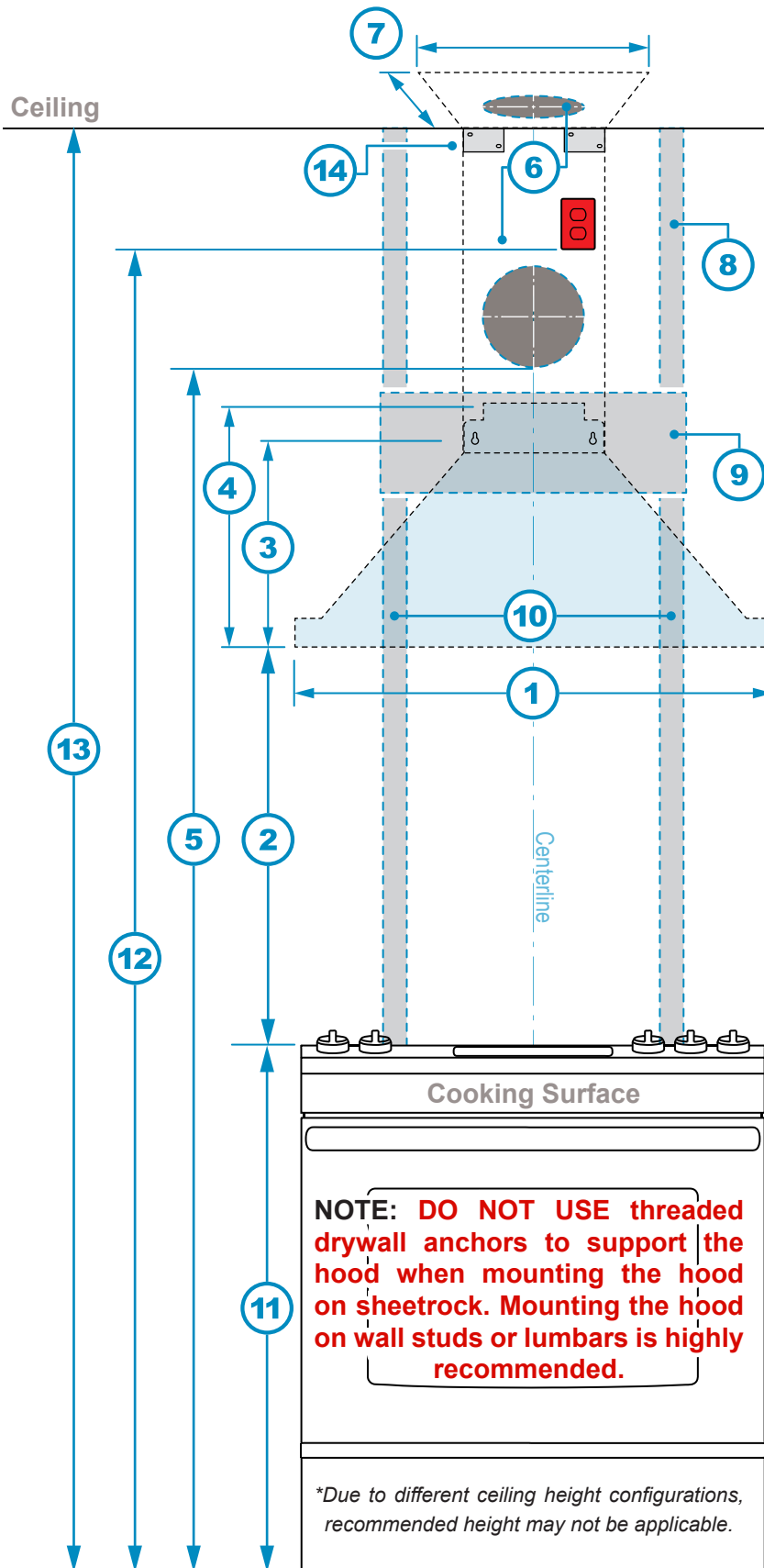
1. Read the entire installation guide and users manual thoroughly, understand instructions and warnings.
2. Be familiar with the controls of the range hood.
3. Place the range hood on a flat, stable surface. Connect the range hood to a designated standard outlet (please refer the product label for the suitable voltage of this unit) and verify no debris has entered the duct openings, then turn on the range hood.
4. Place all supplied parts and required hardware on a flat, stable surface and verify the existence of all supplied parts.
5. Carefully remove the white/blue plastic protective coat from the chimney covers and range hood if any.

Preparations:

NOTE: To avoid damage to your hood, prevent debris from entering the duct opening.

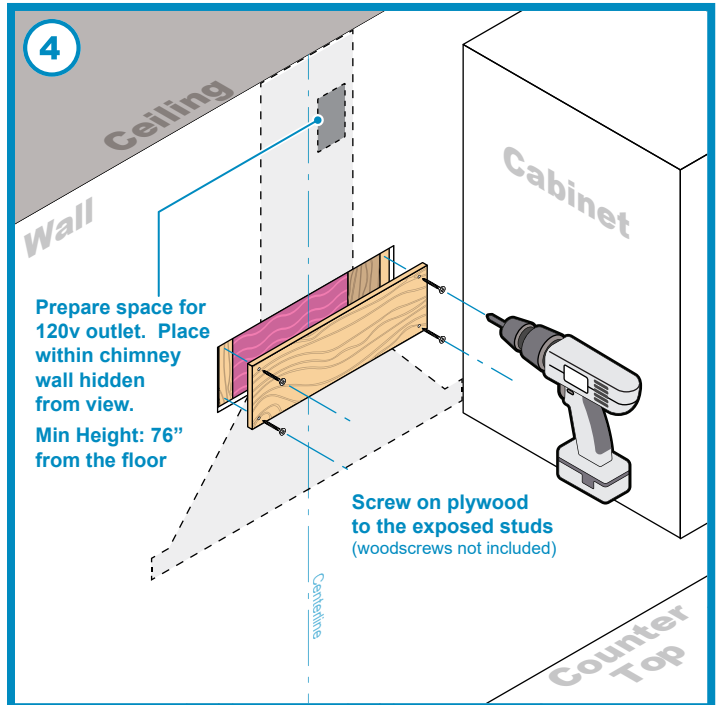
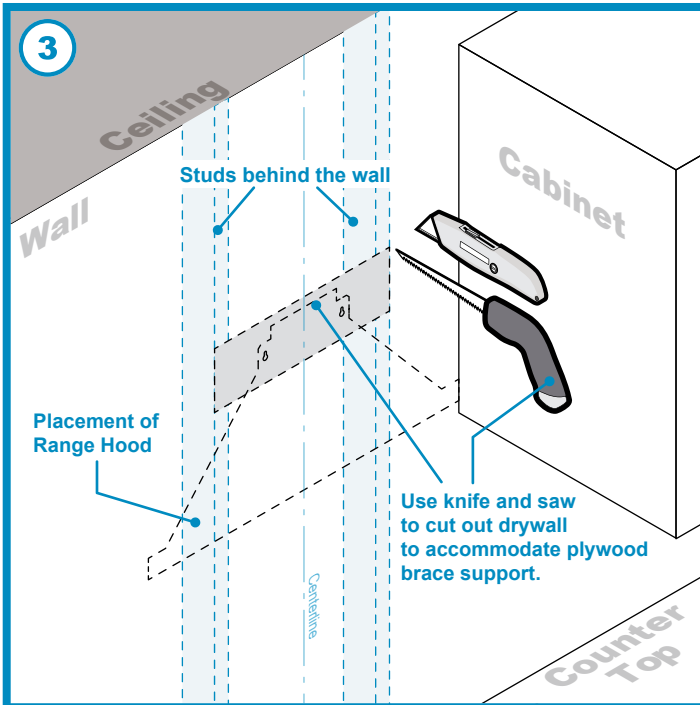
1. Disconnect power cord, remove the stainless steel baffle filter and grease tunnel.
2. Set aside the stainless steel baffle filters and grease tunnel until the range hood is properly installed.

ROUGH-IN



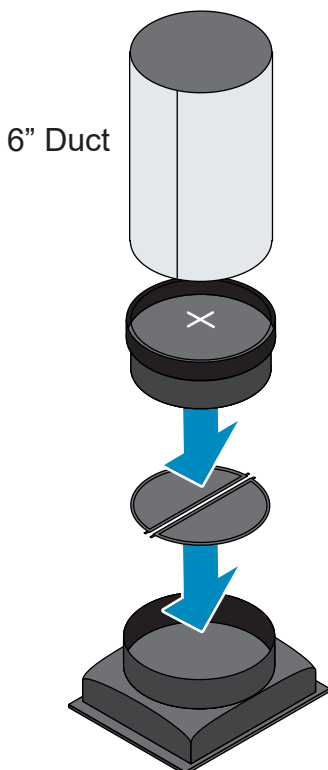
- ① Available width sizes:
29 1/2", 35 1/2"
- ② Min: 24", Max: 30"
Optimally 28"
- ③ Height from bottom of range hood to installation holes: 12 3/4"
- ④ Height from bottom of range hood to top of transition: 14 5/8"
- ⑤ Wall duct height
Min height: 78 1/2"
from bottom of duct to ground when range height to stove is 24"
Min height: 84 1/2"
from bottom of duct to ground when range height to stove is 30"
- ⑥ Preferred areas to install 6"-Ø wall or roof vent ducting
- ⑦ Chimney length and width:
13 5/8" x 10 7/8" (Height will vary)
- ⑧ Typical stud behind wall setup
- ⑨ Cut out drywall for plywood brace support
- ⑩ If needed, drill holes at the rear panel of the range hood in order to mount wood screws (not included) in to the studs for additional support.
- ⑪ Typical stove top height: 36"
- ⑫ 120v Power Outlet location:
Min height: 78"
from power outlet to floor when range height to stove is 24"
Min height: 85"
from power outlet to floor when range height to stove is 30"
- ⑬ Ceiling height: Typical 96", Max 108". For higher ceilings, please contact us to purchase an extension
- ⑭ Install area for metal bracket which holds up the chimney

ROUGH-IN (Continued)



(3) Use knife and saw to cut out drywall to accommodate a plywood brace support. **The inserted plywood should be the same depth as the drywall slab it is replacing.**

(4) Screw on plywood to the exposed studs (woodscrews not included). Prepare space for 120v outlet. Place within chimney wall, hidden from view. Min Height: 76" from the floor.



INSTALLATION

Install the plastic flaps **ONLY** if your wall or roof cap does not come with backdraft dampers.

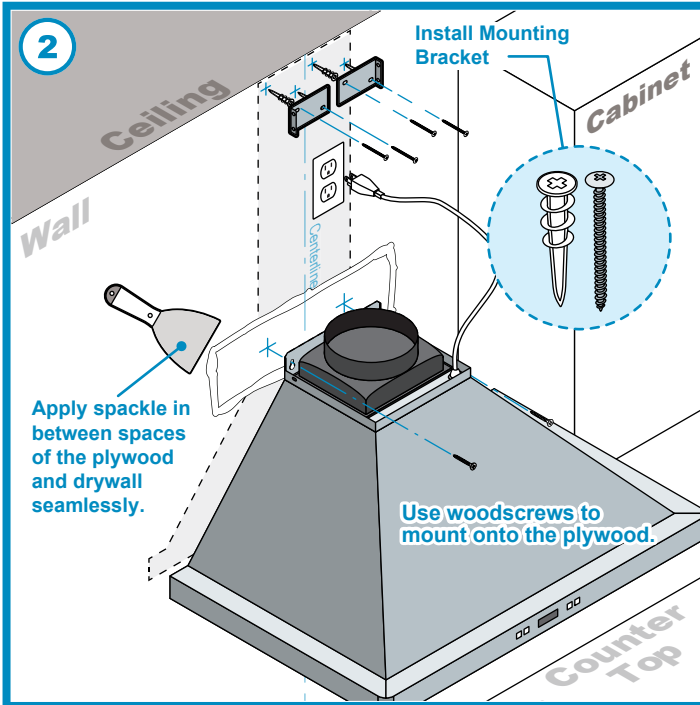
The adaptor can be used to protect the flaps.

NOTE: DO NOT USE threaded drywall anchors to support the hood when mounting the hood on sheetrock. Mounting the hood on wall studs or lumbers is highly recommended.

CAUTION: Make certain the range hood is secure before releasing!

For safety purpose, pre-drilled mounting holes are provided through the back of the hood. For a more secure installation, use as many mounting holes as needed to secure from the inside of hood.

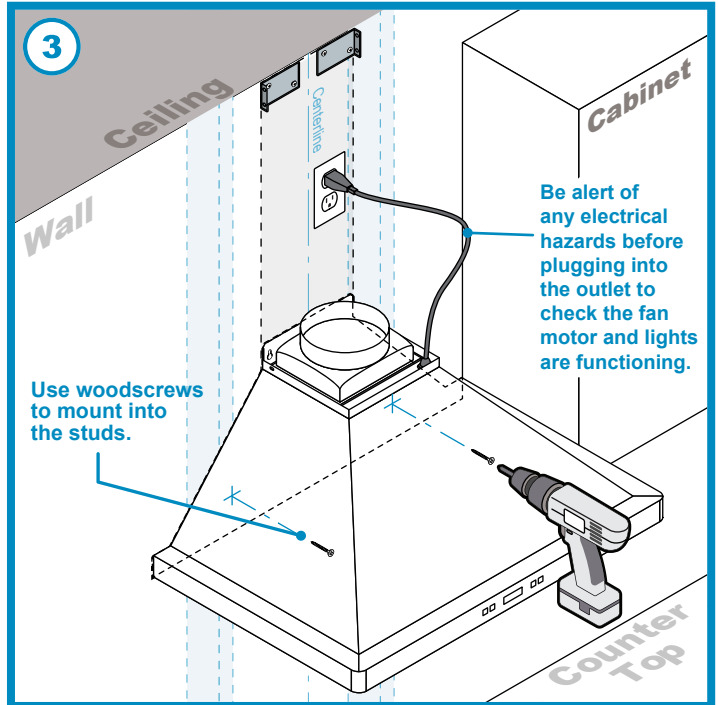
INSTALLATION (Continued)



(2) Apply spackle in between spaces of the plywood and drywall seamlessly. Sand down any rough spackle to smooth out. Paint area if required.

Use the drywall plastic anchors and metal screws to install the mounting brackets to prepare for the upper chimney.


Fasten #8 2-1/2" woodscrews to mount onto the plywood based on your earlier measurements already established.



(3) If added support is needed, from the inside rear panel of the range hood, fasten #8 2-1/2" (or larger) woodscrews to mount into the studs based on your earlier measurements already established.

Connect the range hood to a designated standard outlet (please refer to the product label for the suitable voltage of this unit). Check the fan motor and lights are functioning.

SAFETY WARNING: Risk of electrical shock. this range hood must be properly grounded. Make sure this is done by qualified electrician in accordance with all applicable national and local electrical codes. Before connecting wires, switch power off at service panel and lock service panel to prevent power from being switched on accidentally.



WARNING
Hazard of electrical shock!

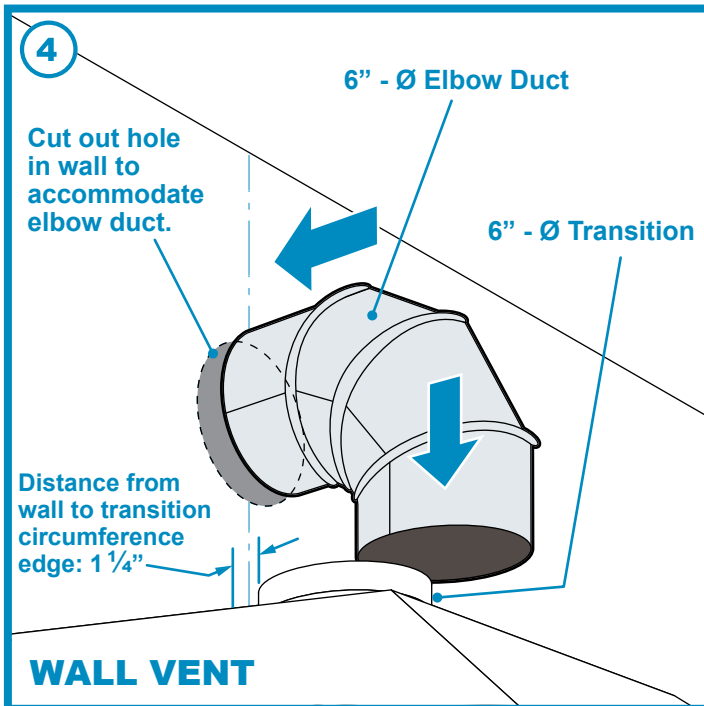
DO NOT perform service on an electrically live system. Disconnect the main electrical supply before servicing this device. Touching electrical connectors or other exposed electrical circuitry inside this range hood when they are energized could result in death, serious bodily injury, or property damage.



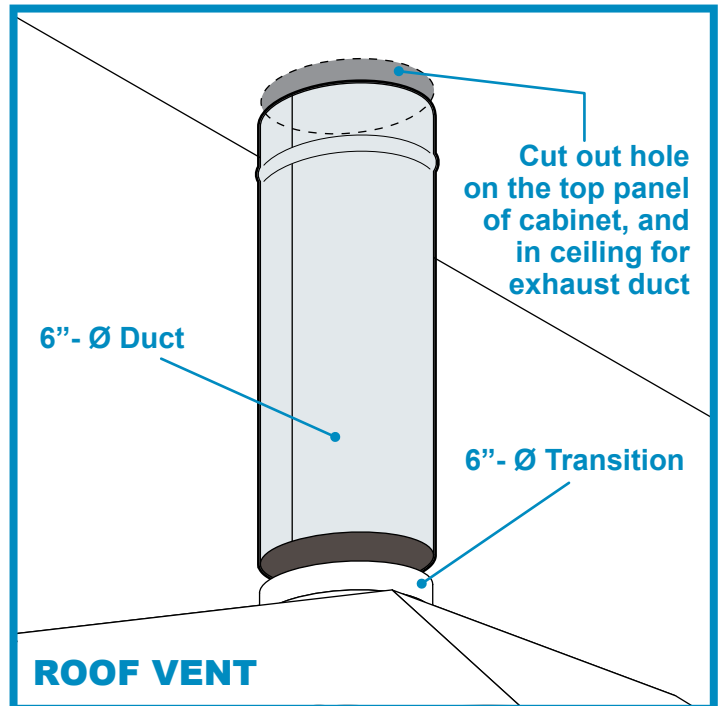
WARNING
Severe Injury

Rotating fan can cause severe injury. Stay clear of fan when motor is running.

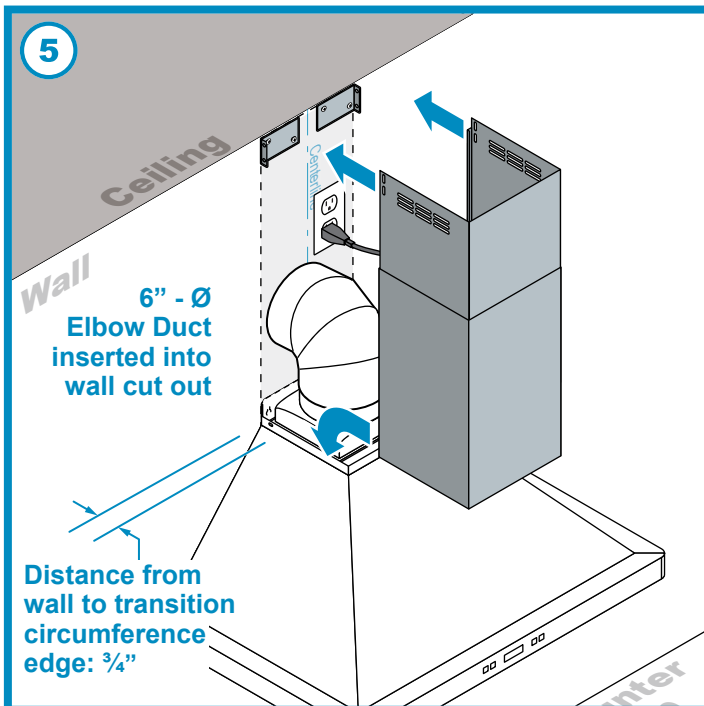
INSTALLATION (Continued)



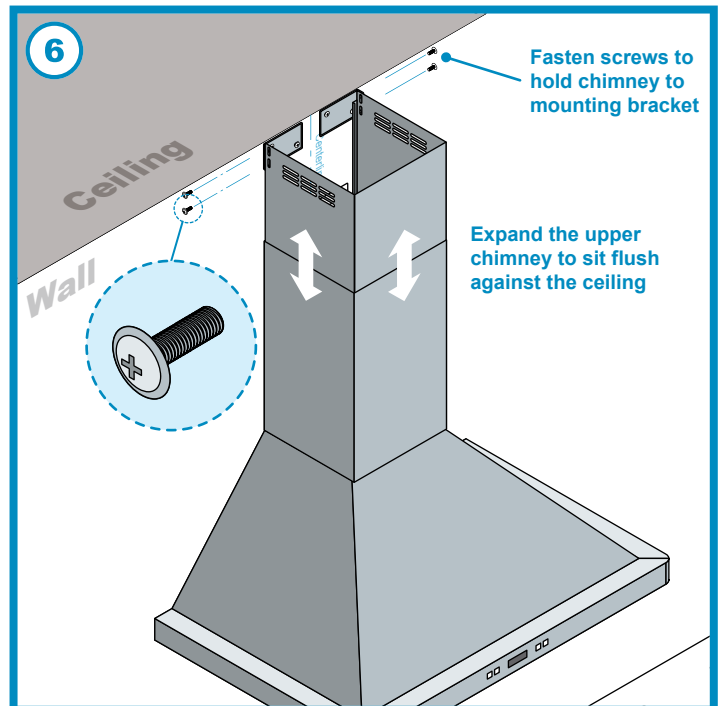
(4) Distance from wall to transition circumference edge for 6" - Ø Transition will be 1 ¼"



Use 6" round steel pipe to connect the exhaust on the hood to the duct work above. Use aluminum tape to make all joints secure and air tight.



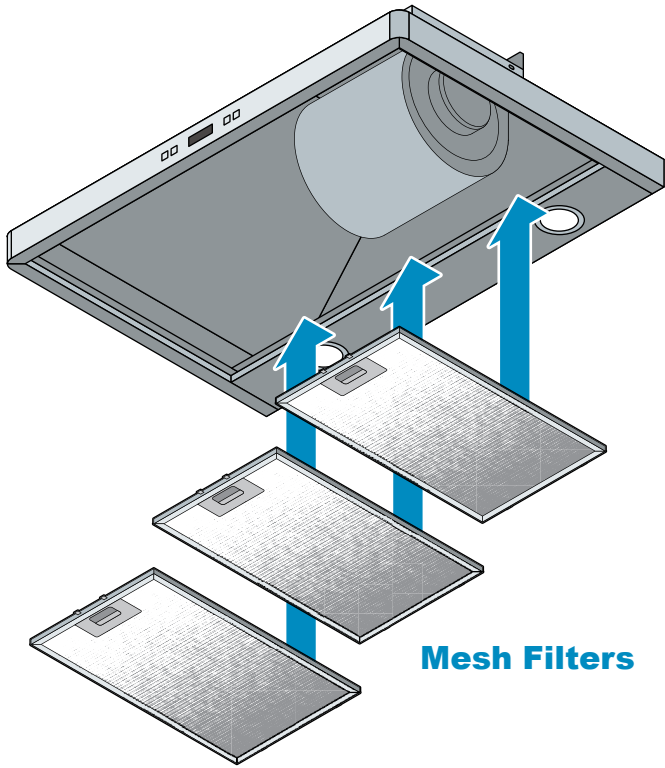
(5) Insert both chimneys onto the range hood. They should be able to slide into the gap of the top housing.



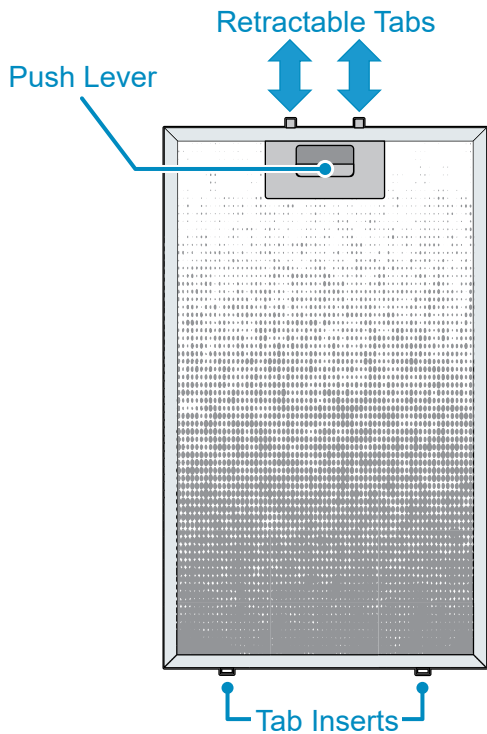
(6) **To avoid scratching the chimney, extend the upper chimney slowly and carefully** to the chimney-mounting bracket and tighten screws.

INSTALLATION (Filters)

BOTTOM VIEW

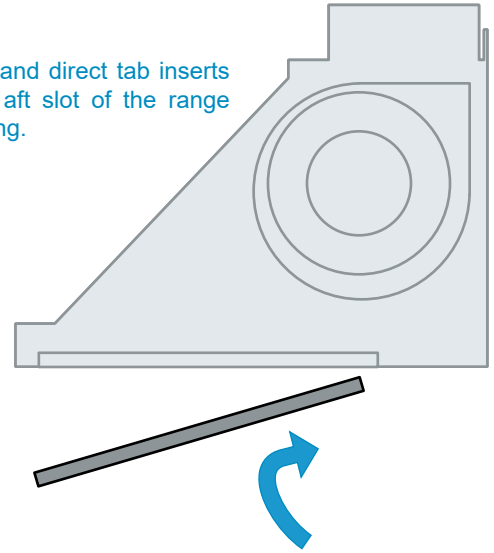


Mesh Filters

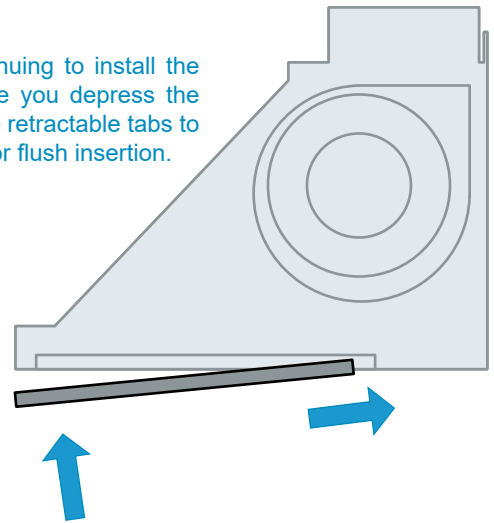


SIDE VIEW

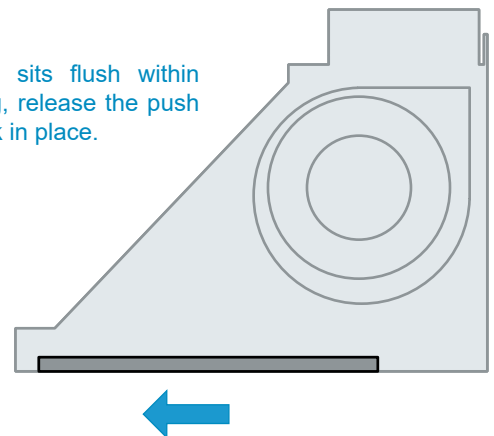
Angle filter and direct tab inserts toward the aft slot of the range hood opening.



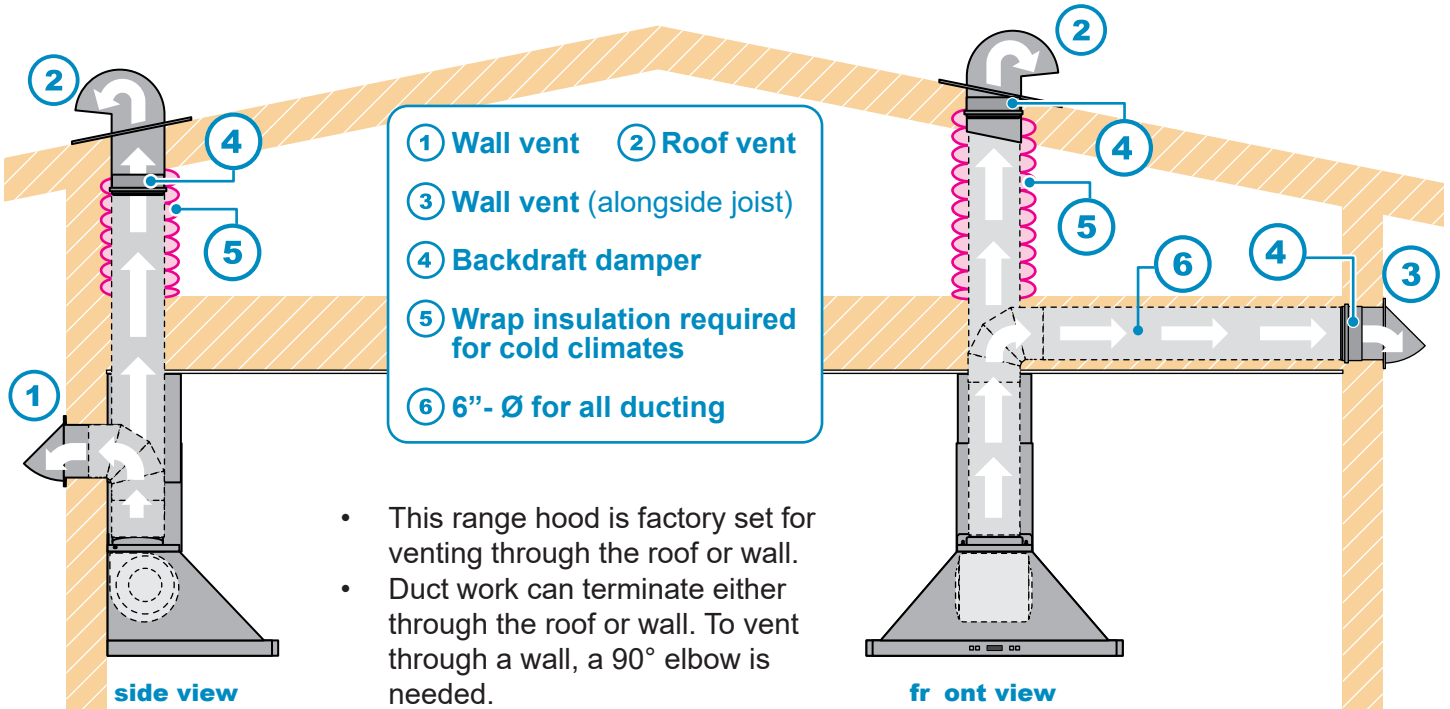
While continuing to install the filter, ensure you depress the lever for the retractable tabs to clear way for flush insertion.



When filter sits flush within the opening, release the push lever to lock in place.



VENTING METHODS



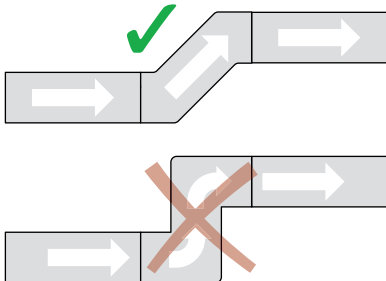
- This range hood is factory set for venting through the roof or wall.
- Duct work can terminate either through the roof or wall. To vent through a wall, a 90° elbow is needed.

IMPORTANT:

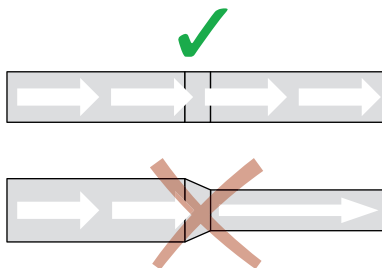
- NEVER exhaust air or terminate duct work into spaces between walls, crawl spaces, ceiling, attics or garages. All exhaust must be vented to the outside.
- Use metal/aluminum duct work only.
- Fasten all connections with sheet metal screws and tape all joints with certified Aluminum Tape.
- Use caulking to seal exterior wall or roof opening around the cap.
- Colder climates require wrapping insulation around the ducts and optional blowers.
- The system must have a Backdraft Damper.

DUCT VENTING

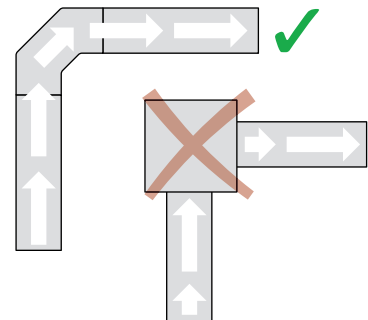
(a) Avoid the use of sharp elbows. Use 45 degrees instead, if possible.



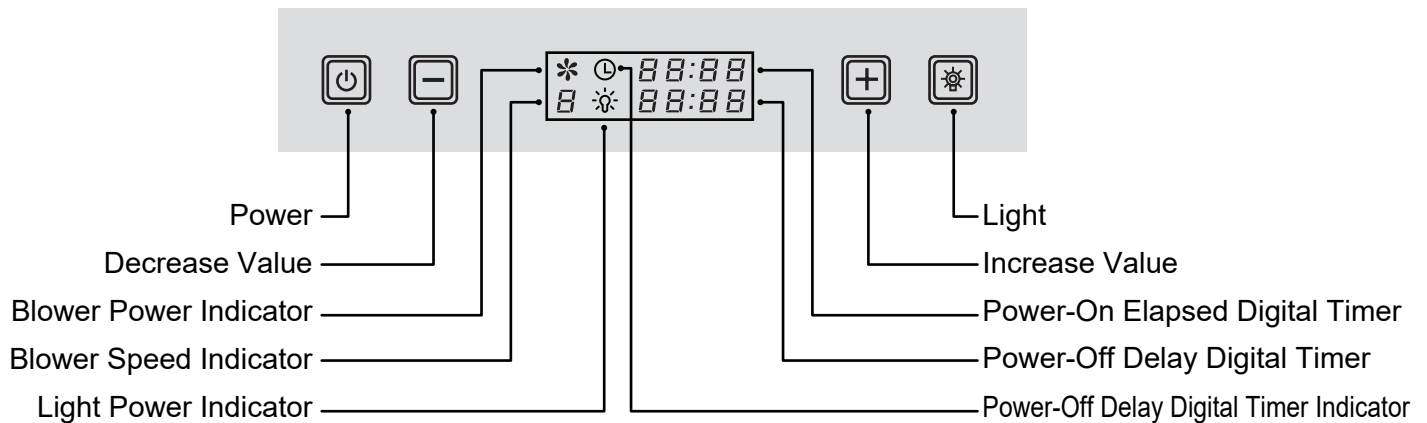
(b) DO NOT use REDUCERS. Keep the size of the duct the same, as per the manual. A reducer will reduce the CFM of the hood and increase the noise.



(c) DO NOT use plenum boxes. Boxes create turbulence and make the hood inefficient. Use a smooth elbow to guide the air outdoors.



RANGE HOOD OPERATIONS



This range hood is designed to remove smoke, cooking vapors and odors from the cook top area. For best results, start the range hood before cooking and allow it to operate several minutes after the cooking is completed to clear all smoke and odors from the kitchen.

• **BUTTON FUNCTIONS:**

- **Power:** Power ON/OFF the range hood and activate power-off delay timer.
- **Decrease Value:** Blower (motor) speed decrease, timer value decrease, and enter timer mode.
- **Increase Value:** Blower (motor) speed increase timer value increase, and cumulative timer reset.
- **Blower Power Indicator:** Lights up when blower (motor) is running.
- **Blower Speed Indicator:** Shows current blower (motor) speed (1-6).
- **Light Power Indicator:** Lights up when lights turned on.
- **Light:** Turns ON/OFF and dim halogen lights.
- **Power-On Elapsed Digital Timer:** Indicates the accumulated time the system is running.
- **Power-Off Delay Digital Timer:** Indicates the length of time left for delay off function.
- **Power-Off Delay Timer Indicator:** Lights up when auto-shutdown delay timer function is on.

• **CONTROLS:**

- **Automatic cleaning reminder:**
 - This range hood is equipped with a cleaning reminder that will activate following 30 hours of use. When blower (motor) starts to rotate, cumulative running time will be shown in *Power-On Elapsed Digital Timer*. This timer icon flashes when 30 hours is up and reminds user to clean the aluminum filter.
 - After cleaning the filter and when the motor is not in use, press and hold *Increase Value* button over 3 seconds to reset the timer. Please note that turning off the system will not reset the *Power-On Elapsed Digital Timer*.
- **Adjusting the blower (motor) speed:**
 - Press **Power** button once to turn on the system. The **Blower Power Indicator** icon flashes showing that the blower (motor) is ready. **Decrease Value** button will decrease the speed of the blower (motor) from 6 to 1 (strongest to quietest). **Increase Value** button will increase the speed of the blower (motor) from 1 to 6 (quietest to strongest).
 - Press **Power** button once to turn off the system.

Note: The system saves user configurations, settings such as light, timer and blower (motor) speed will remain the same the next time it is turned on.

RANGE HOOD OPERATIONS (Continued)

CONTROLS:

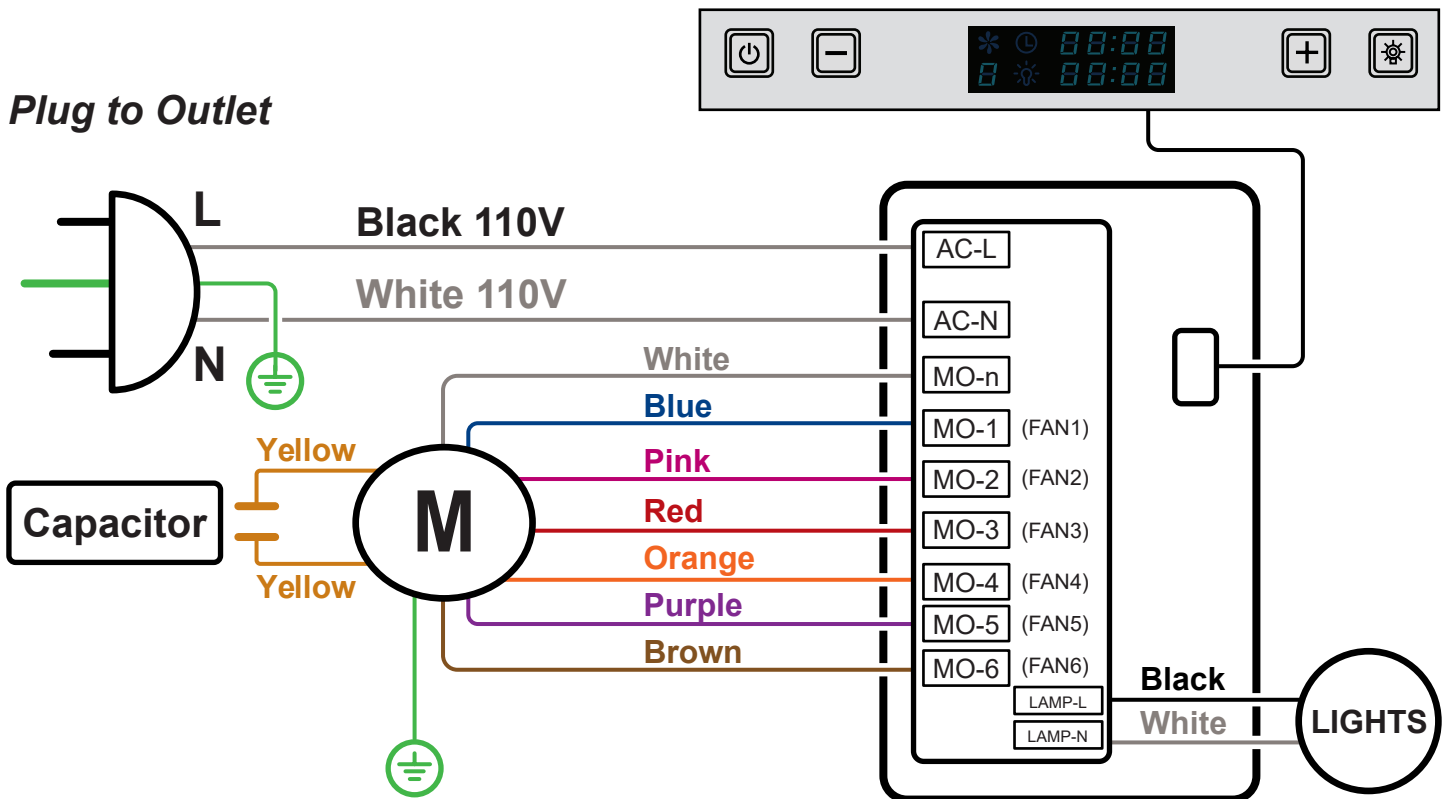
- Adjusting the timer function:
 - While the blower (motor) is not running, press and hold *Decrease Value* button over 3 seconds to enter timer mode. Adjust to desired period of delay off timer by pressing *Increase Value* or *Decrease Value* button (minimum 1 minute to maximum 9 minutes). This setting will be saved immediately.
- Activating the timer function:
 - While the blower (motor) is running, press and hold *Power* button for over 3 seconds to activate delay timer. *Power-Off Delay Digital Timer* being to countdown, when it reaches zero, the blower (motor) will shut down.
- Adjusting the light:
 - Press *Light* button once to turn on the lights, and once again to turn off the lights.
 - While the lights are off, press and hold *Light* for over 3 seconds to dim the lights from high to low. Level of brightness will be stored in system's memory.

CAUTION: DO NOT touch the lights until switched OFF and cooled.

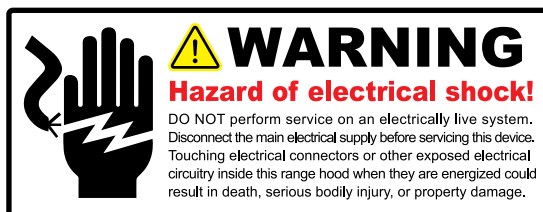
Note: Light settings are independent from other settings (including power-off delay) and lights has to be manually turned off.

Note: The system saves user configurations, settings such as light, timer and blower (motor) speed will remain the same the next time it is turned on.

WIRING DIAGRAM



TROUBLESHOOTING



1. If the range hood or lights do not operate after installation:
 - Check if the range hood has been plugged in, make sure that all power has been turned back ON, fused not blown and all electrical wiring are properly connected.
 - Swap out light assembly to working ones to determine whether it is caused by defective bulbs. *See Replacing the light bulbs page.*
2. The range hood vibrates when the blower is on:
 - The range hood might not have been secured properly on to the ceiling or wall.
 - The impeller may be out of balance.
3. The blower or fan seems weak:
 - Duct is too small. Range hood WILL NOT function efficiently with insufficient duct size. For example: Connecting this hood to 4" or 5" duct will reduce the suction and create extra noise and vibrations. Check if duct is clogged or if damper unit is not installed correctly or opening properly. A tight mesh on a side wall cap unit might also cause restriction to the air flow.
4. The lights work but the blower is not spinning at all, is stuck or is rattling.
 - The blower might be jammed or scraping the bottom due to shipping damage. Please contact us immediately.
5. The hood is not venting out properly:
 - Make sure the distance between the stove top and the bottom of the hood is within* 24" and 30" in distance. **Due to different ceiling height configurations, recommended height may not be applicable.*
 - Reduce the number of elbows and length of duct work. Check if all joints are properly connected, sealed, and taped.
 - Make sure the power is on high speed for heavy cooking.
 - The duct size must be 6", or larger. Please make sure there are NO reducers or plenums in the duct work.
 - **Refer to Duct Venting in the Venting Methods page for illustrative examples.**

NOTE: For all other inquiries, please contact Victory Range Hoods.

MAINTENANCE

Operations:

- Read and understand all instructions and warnings in this manual before operating the appliance. Save these instructions for future reference.
- Always leave safety grills and filters in place. Without these components, operating blowers could catch on to hair, fingers and loose clothing.
- NEVER dispose cigarette ashes, ignitable substances, or any foreign objects into blowers.
- NEVER leave cooking unattended. When frying, oil in the pan can easily overheat and catch fire. The risk of self combustion is higher when the oil has been used several times.
- NEVER cook on “open” flames under the range hood. Check deep-fryers during use: Superheated oil may be flammable.
- The saturation of greasy residue in the blower and filters may cause increased inflammability. Keep unit clean and free of grease and residue build-up at all times to prevent possible fires.
- Filters must be cleaned periodically and free from accumulation of cooking residue. Old and worn filters must be replaced immediately.
- **DO NOT** operate blowers when filters are removed. Never disassemble parts to clean without proper instructions. Disassembly is recommended to be performed by qualified personnel only. Read and understand all instructions and warnings in this manual before proceeding.
- **SAFETY WARNING:** Never put your hand into area housing the fan while the fan is operating!

Cleaning Exterior surfaces:

- Clean periodically with stainless steel cleaner and clean cotton cloth. Do not use corrosive or abrasive detergent (e.g. Comet Power Scrub®, EZ-Off® oven cleaner), or steel wool/scoring pads, which will scratch and damage the stainless steel surface. For heavier oil use liquid degrease such as “Formula 409®” or “Fantastic®” brand cleaner.
- If the hood looks splotchy (stainless steel hood), use a stainless steel cleaner to clean the surface of the hood. Avoid getting cleaning solution onto or into the control panel. Follow directions of the stainless steel cleaner. **CAUTION: Do not leave on too long as this may cause damage to the hood finish.** Use a soft towel to wipe off the cleaning solution, gently rub off any stubborn spots. Use a dry soft towel to dry the hood.
- After cleaning, you may use non abrasive stainless steel polish such as 3M® or ZEP®, to polish and buff out the stainless luster and grain. Always scrub lightly, a with clean cotton cloth, and with the grain.
- DO NOT allow deposits to accumulate or remain on the hood.
- DO NOT use ordinary steel wool or steel brushes. Small bits of steel may adhere to the surface and cause rusting.
- DO NOT allow salt solutions, disinfectants, bleaches, or cleaning compounds to remain in contact with stainless steel for extended periods. Many of these compounds contain chemicals, which may be harmful. Rinse with water after exposure and wipe dry with a clean cloth.

Cleaning Aluminum Grease Filter / Stainless Steel Filterless Grill:


- **IMPORTANT: Drain oil from oil containers before oil and residue overflow!**
- The metal filters fitted by the factory are intended to filter out residue and grease from cooking. It need not be replaced on a regular basis but are required to be kept clean.
- Filters should be cleaned after every 30 hours of use.
- Remove and HAND WASH ONLY. Spray “Formula 409®” or equivalent degreasing detergent and leave to soak if heavily soiled. Dry filters and re-install before using hood.


Replacing Filters:

- Should filters wear out due to age and prolonged use, please contact Victory Range Hoods to order
- Note: Also replace damaged filter that has punctured or broken mesh, bent or broken frame.

NOTE: For all other inquiries, please contact Victory Range Hoods.

BULB REPLACEMENT

 **WARNING**
Hazard of Burns
Light bulb can become extremely hot when turned on.
DO NOT touch bulb until switched off and cooled.
Touching hot bulbs could cause serious burns.

 **WARNING**
Hazard of electrical shock!
DO NOT perform service on an electrically live system.
Disconnect the main electrical supply before servicing this device.
Touching electrical connectors or other exposed electrical circuitry inside this range hood when they are energized could result in death, serious bodily injury, or property damage.

Replacing the **GU10 120V** Light Bulb Using the Inner Ring Opener:

- Should the light bulb burned out due to age and prolonged use, replace with following: USA/Canada: Halogen 35W Type GU10 120V. USA/Canada: LED 3W 120V (both are available at your local hardware store)
- Make sure the range hood is unplugged or turn OFF breaker
- Make sure the lights are cool to touch, carefully align the arrow on the inner ring with the arrow on the outer ring where it says OPEN with the Inner Ring Opener as shown in Figure (1)
- The inner ring will loosen and the light bulb will be available for removal as shown in Figure (2)
- Install a new light bulb and reverse the steps
- Turn ON breaker and range hood to test for operation.

Align arrows on both rings



Figure (1)



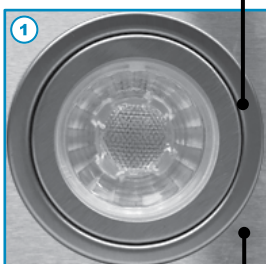
Figure (2)



Replacing **LED 3W 120V** Light Fixture:

- Make sure the range hood is unplugged or turn OFF breaker and the lights are cool to touch.
- Place a flat-head screwdriver between light housing and hood body
- Gently pry up the light housing and search for the metal clip
- Apply force to the metal clip and pull out the light fixture
- Disconnect the power cable and discard the old light fixture
- Reverse the steps to install a new LED light fixture
- Turn ON breaker and range hood to test for operation.

Light Housing



Hood Panel



Flat-head Screwdriver



Metal Clip



Power Plug

NOTE: For all other inquiries, please contact Victory Range Hoods.

WARRANTY

TO OBTAIN SERVICE UNDER WARRANTY:

You must present proof of original purchase date.

*Please provide an original dated proof of purchase (sales receipt / invoice)
in order to obtain service under warranty.*

One Year Parts Warranty:

For one year from the date of original purchase, Victory Range Hoods will provide free of charge, non-consumable replacement parts or components that failed due to manufacturing defects. Subject to the conditions and limitations set forth below, Victory Range Hoods will replace any part of its products that prove defective by reason of improper workmanship or materials. Replacement parts or products will be provided by Victory Range Hoods on an exchange basis, and will be either new or refurbished to be functionally equivalent to new.

Who is Covered:

This warranty is extended to the original purchaser for products purchased for ordinary home use.

This Warranty Will Be Voided When:

Product is damaged through negligence, improper installation, accident, abuse, misuse, natural disaster, insufficient or excessive electrical supply, abnormal mechanical or environmental conditions, or any unauthorized disassembly, repair, modification, or failure to follow installation instructions. When product is used commercially or other than its intended purpose. Damaged because of improper connection with equipment of other manufacturers. Repaired or modified by anyone other than Victory Range Hoods. This limited warranty also does not apply to any product on which the original identification information has been altered, obliterated or removed, has not been handled or packaged correctly or has been sold as second-hand.

What is Not Covered:

Consumable parts such as light bulbs, metal and charcoal filters. The natural wear of finish, and wear due to improper maintenance, use of corrosive and abrasive cleaning products, pads, and oven cleaner products. Chips, dents or cracks due to abuse, misuse, freight damage, or improper installation. Damage of product caused by accident, fire, floods or acts of God. The manufacturer and/or distributor/reseller is not liable for, and does not cover under warranty, any loss of properties or any costs associated with removing, servicing, installing, or determining the source of problems with this product.

This warranty is valid in Canada and the United States of America. It is non-transferable and applies only to the original purchaser and does not extend to subsequent owners of this product. Any applicable implied warranties, including the warranty of merchantability, are limited in duration to a period of express warranty as provided herein beginning with the date of original purchase and, no warranties, whether expressed or implied, shall apply to this product thereafter.

To obtain warranty service, you may contact Victory Range Hoods. Please confirm the terms of Victory Range Hood's policies prior to contacting us. Typically, you must include product identification information, such as the model number/name with a detailed description of the problem you are experiencing. You must also include proof of the date of original purchase as evidence that the product is within the applicable warranty period, and that it is a genuine range hood from Victory Range Hoods.

The information in this document is subject to change without notice, please contact Victory Range Hoods for updated details.

DISCLAIMER

Carefully inspect all items for damages before accepting delivery. Note any damages on the freight bill or express receipt. Request name and signature of the carrier's agent and keep a copy to support your claim. Upon acceptance of items, owner assumes responsibility for its safe arrival. Report damages to the carrier and file a claim immediately. Failure to do so may result in the denial of your claim. The carrier will furnish you with necessary forms for filing a claim.

Damages on any returns or exchanges caused during transit are not covered under our warranty (the customer must insure the return with the shipping company). If your range hood is damaged in transit, please contact us within 14 days of receiving your new order to report the damages. Victory Range Hoods will, to the best of its ability, file a damage claim and investigate the matter.

Please inspect contents of package(s) carefully upon receiving! We must be notified of any damages and/or missing parts within fourteen (14) days upon your receipt of the package(s). Claims will not be accepted after fourteen (14) days. NOTE: Items are thoroughly tested and carefully packed in our facility before shipping.

Products must be returned in good working condition with ALL original parts and documentation packed in all original cartons, fillers and shipping cartons. A restocking fee of 10% will be charged for all approved return(s). Exchanges or returns will not be accepted if the unit has been installed, and may be rejected if parts are missing.

Make sure to inspect the hood for damages and defects before installation. Appearance flaws of the hood found after installation and not affecting hood performance are not covered under our warranty for returns or exchanges. Service visits are not covered under warranty and will carry a service charge.

CONTACT US

If you require assistance, please contact Victory Range Hoods. Please have your order number and model of the range hood ready. You must have this information in order to receive a response to your request.

If you need replacement parts, we recommend using only genuine parts. Our accessories and parts are engineered and designed specifically for VICTORY range hoods. Each part is rigorously tested assuring the utmost in durability and reliability, providing a factory match, factory-installed appearance and functionality tailored to each individual range hood model.

583 Nicola Avenue, Port Coquitam, BC, Canada
Toll Free: 1-800-394-4020
info@victoryrangehoods.com

The information in this document is subject to change without notice, please contact Victory Range Hoods for updated details.



583 Nicola Avenue | Port Coquitlam | BC | Canada | V3B 0M3
www.victoryrangehoods.com