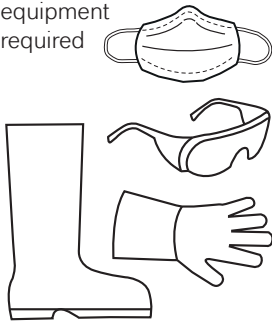


How to make a ready-to-use Virkon® S disinfectant solution

Preparing the solution

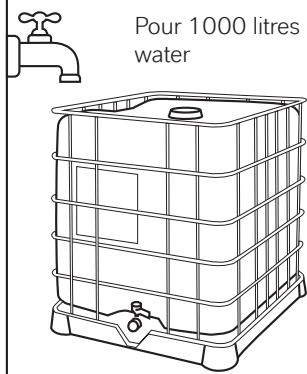
STEP 1

Personal protective equipment required



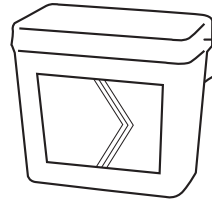
STEP 2

Pour 1000 litres water



STEP 3

Add Virkon® S
10kg per 1000 litres = 1:100 (1%)
5kg per 1000 litres = 1:200 (0.5%)



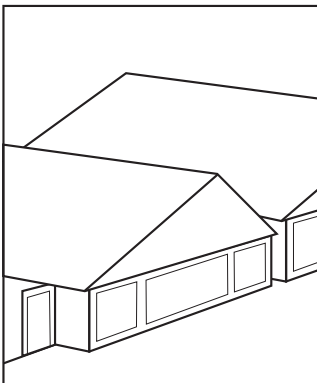
STEP 4

Stir thoroughly until fully dissolved, then use

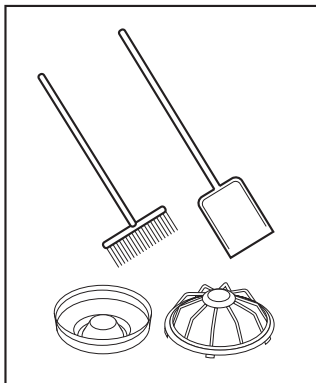


Virkon® S in-use solutions can be used for the disinfection of:

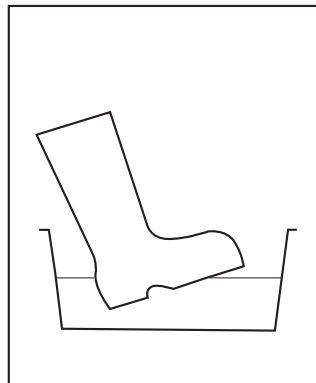
BARN SURFACES



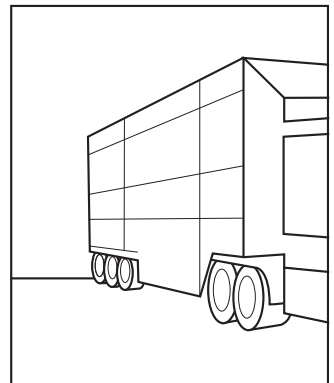
MOVABLE EQUIPMENT



BOOTS & FOOTWEAR



VEHICLES



For further information on Virkon® S applications and uses, visit virkon.com

LANXESS

Antec International Limited
LANXESS Material Protection Products
Windham Road, Chilton Industrial Estate,
Sudbury, Suffolk, CO10 2XD
United Kingdom
biosecurity@lanxess.com
virkon.com
lanxess.com

This information and our technical advice – whether verbal, in writing or by way of trials – is subject to change without notice and given in good faith but without warranty or guarantee, express or implied, and this also applies where proprietary rights of third parties are involved. Our advice does not release you from the obligation to verify the information currently provided - especially that contained in our safety data and technical information sheets - and to test our products as to their suitability for the intended processes and uses. The application, use and processing of our products and the products manufactured by you on the basis of our technical advice are beyond our control and, therefore, entirely your own responsibility. Our products are sold in accordance with the current version of our General Conditions of Sale and Delivery.

The specified uses and registered claims for the product may vary from country to country. Please contact LANXESS to verify country-specific approved uses.

Use biocides safely. Always read the label and product information before use.