

Lithium Iron Phosphate (LiFePO4) Battery Specification

SLAUMXLI126-12 (12.8V126AH)



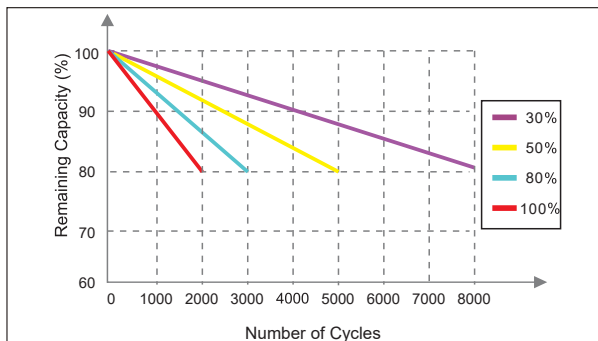
Specifications

Nominal Voltage		12.8V
Rated capacity (20 hour rate)		126Ah
Dimensions	Total Height	211 mm
	Height	211 mm
	Length	325 mm
	Width	165 mm
Weight Approx		12.8 Kg

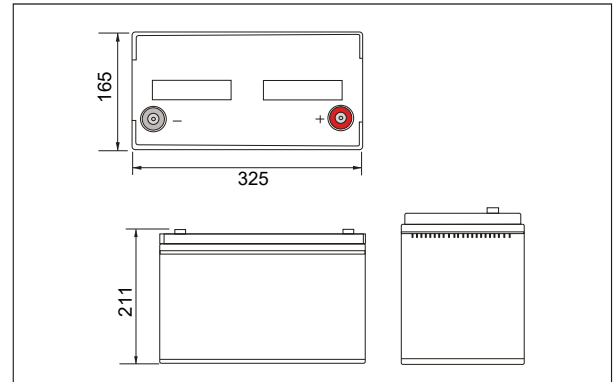
Characteristics

Charge Discharge Properties	Efficiency of Charge	100% at 0.5C
	Efficiency of Discharge	97% at 1C
Charge Characteristics	Cycle Life	>80% retention at 2000 cycles
	1.5 hour discharge to 10.5V	40.0 A
Discharge Characteristics	Charge Voltage	14.6±0.1V
	Charger Current	60A
	Charge Cut-off Voltage	14.6±0.1V
Temperature	Normal Current	50A
	Max Continuous Current	126A
	Maximum Pulse Current	150A(<3s)
	Discharge Cut-off Voltage	10V
Temperature	Charge Temperature	0°C-45°C(32°F-113°F)
	Discharge Temperature	-20°C-60°C(-4°F-140°F)
	Storage Temperature	0°C-40°C(32°F-104°F)
Months Self Discharge		<3%

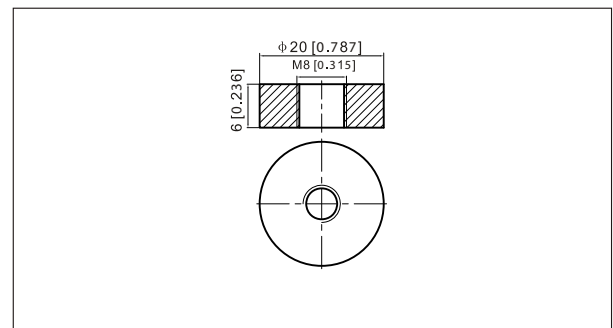
Cycle Lives Curves



Outer dimensions (mm)



Terminal Type (mm)



Bluetooth APP description

For Apple mobile phone, search and download "UMXLI Battery"
For Android mobile phone, search and download "UMXLI BMS"

Interface of APP:

