

Bluetooth Lithium Iron Phosphate (LiFePO4) Battery Specification

SLAUMXLI100-12BLU (12.8V100AH)



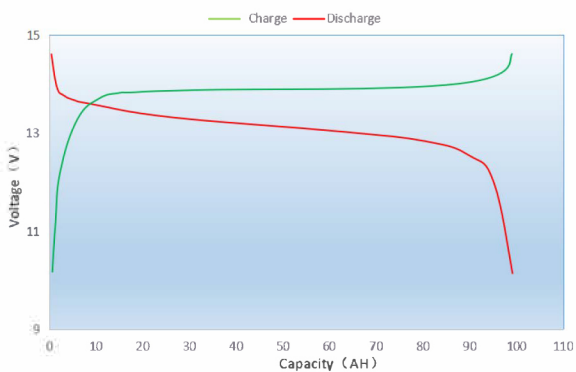
Specifications

Nominal Voltage		12.8V
Rated capacity (20 hour rate)		102Ah
Dimensions	Total Height	211 mm
	Height	211 mm
	Length	325mm
	Width	165 mm
Weight Approx		13 Kg

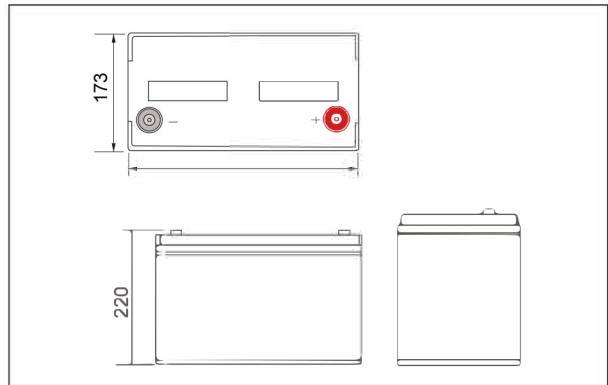
Characteristics

Charge Discharge Properties	Efficiency of Charge	100% at 0.5C
	Efficiency of Discharge	97% at 1C
	Cycle Life	>80% retention at 2000 cycles
Charge Characteristics	Over current protection	400±20A 10ms-300ms
	Internal Resistance	<10 mΩ
	Charge Voltage	14.6±0.1V
Discharge Characteristics	Charge Current	≤100A
	Charge Cut-off Voltage	14.6±0.1V
	Max Continuous Current	100A
Temperature	Peak Discharge Current	300A(<3s)
	Discharge Cut-off Voltage	10V
	Charge Temperature	0°C-45°C(32°F-113°F)
Humidity	Discharge Temperature	-20°C-60°C(-4°F-140°F)
	Storage Temperature	0°C-40°C(32°F-104°F)
Shell material	ABS plastic	

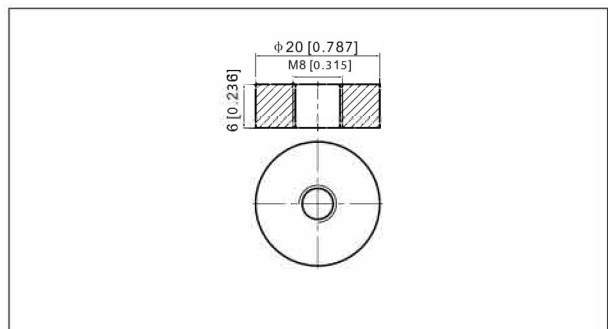
Characteristics Curves



Outer dimensions (mm)



Terminal Type (mm)



Bluetooth APP discription

For Apple mobile phone, search and download "UMXLI Battery"
For Android mobile phone, search and download "UMXLI BMS"

Interface of APP:

