

Lithium Iron Phosphate (LiFePO4) Battery Specification

SLAUMXLI10-24(25.6V10AH)



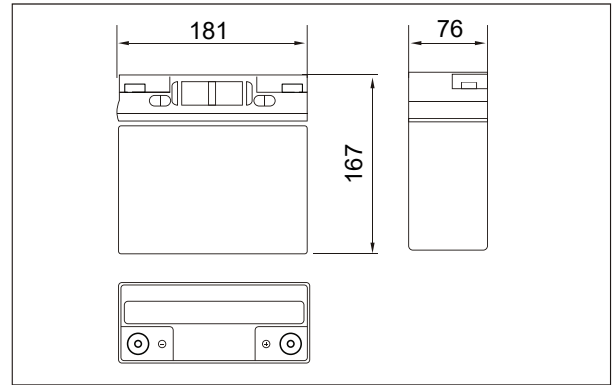
Specifications

Nominal Voltage		25.8V
Rated capacity (20 hour rate)		10Ah
Dimensions	Total Height	167 mm(6.62inches)
	Height	167 mm(6.62inches)
	Length	181 mm (7.13inches)
	Width	76 mm (3.03inches)
Weight Approx		2.6Kg (5.95 lbs)
Terminal		M5

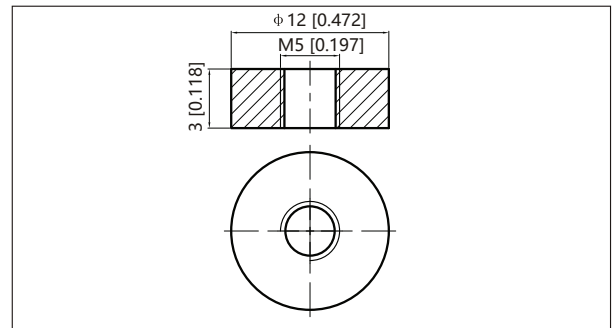
Characteristics

Capacity Retention	>80% at 28 days	
Cycle Life	>80% at 1800 Cycles	
1.5 hour discharge to 10.5V	4.0 A	
Internal Resistance	<50 mΩ	
Charge Characteristics	Charge Voltage	28.8±0.1V
	Charger Current	<5A
Discharge Characteristics	Continuous Current	15A
	Maximum Pulse Current	70A(<1s)
	Discharge Cut-off Voltage	20V
Temperature	Charge Temperature	0°C-45°C(32°F-113°F)
	Discharge Temperature	-20°C-60°C(-4°F-140°F)
	Storage Temperature	0°C-40°C(32°F-104°F)

Outer dimensions (mm)



Terminal Type (mm)



Discharge Curves 25°C(77°F)

